

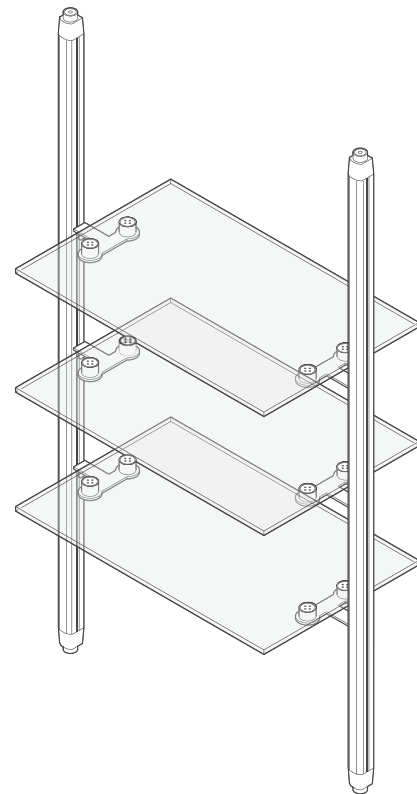
LAMP® UNIT SHELF (TYPE K) XL-US02K INSTALLATION MANUAL

Thank you for selecting our product. Before starting installation, please read this manual thoroughly to ensure correct installation. Please keep this manual at hand for future reference.

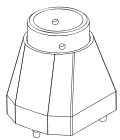
Meaning of symbols

 Warning Caution	 Prohibited	 Required
--	--	--

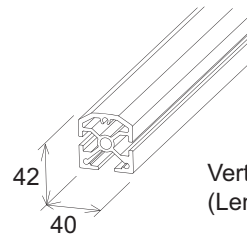
Load Capacity (N)	490 N / shelf
Load Capacity (Kgf)	50 Kgf / shelf
Glass thickness	10 mm
Glass width	Max. 1200 mm
Glass depth	Max. 450 mm
Height of vertical frame	Max. 2500 mm



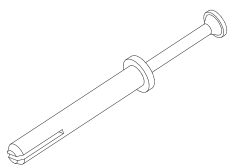
1 Component Parts (for four glass shelves)



Leveling leg : 4 pcs



Vertical frame: 2 pcs
(Length: 2500 mm)



Fixing screw 8x75 : 4 pcs



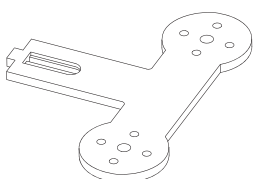
Shelf support: 6 pcs



Fixing $\phi 16$: 4 pcs



Point fix PE32: 12 pcs
($\phi 32 \times 30 \text{mm}$)



Point fixing bracket: 6 pcs

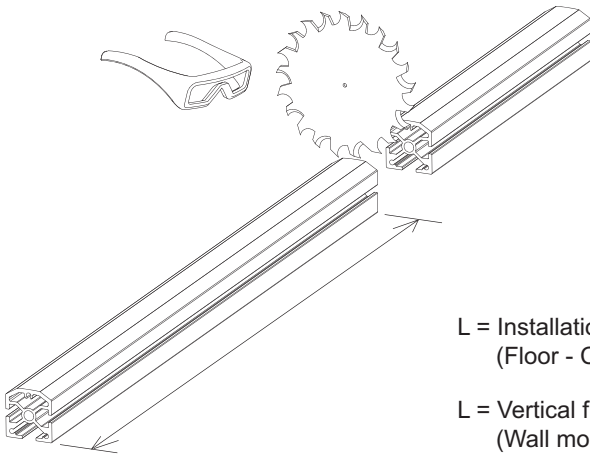


Hexagon socket head cap screw
M8x12: 12 pcs



Washer $\phi 16$: 12 pcs

2 Cutting Vertical Frame

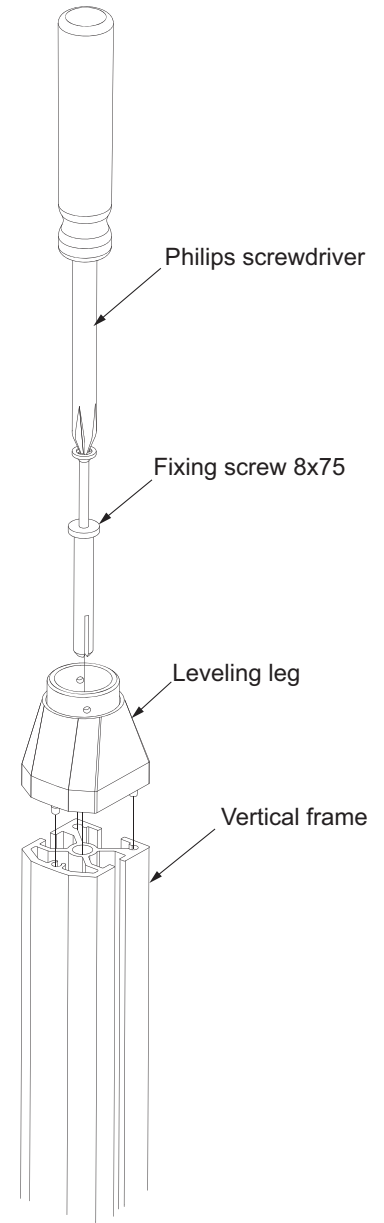


L = Installation height - 100 mm
(Floor - Ceiling mounting)

L = Vertical frame length - 100 mm
(Wall mounting)

Caution
Wear protective eyewear when cutting.

Caution
Cut the frames at right angle.
It may result in warp of shelving
if the cutting is not correct.



3 Assembly of Vertical Frame

- (1) Couple Leveling leg with vertical frame.
- (2) Fix Leveling leg with fixing screw.

Fix Leveling leg on another end, too.

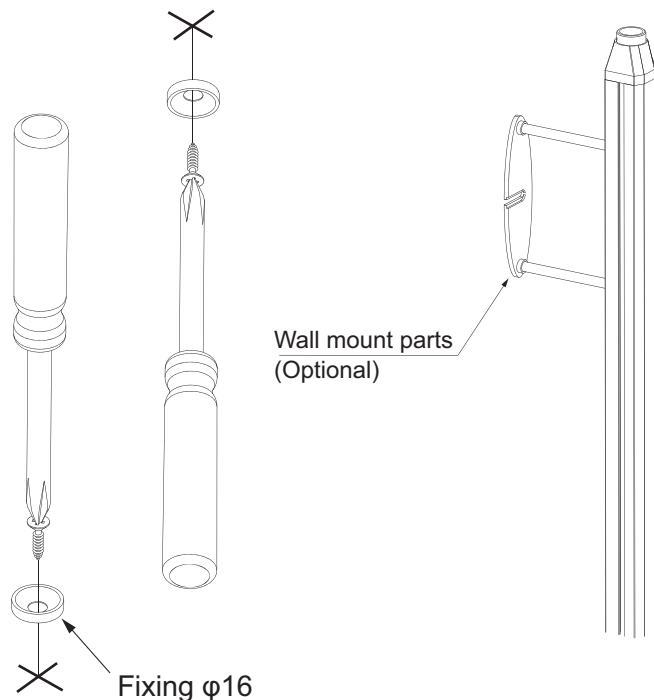
4 Mount of fixing $\phi 16$

Wall mount
Mount fixing only on the floor.

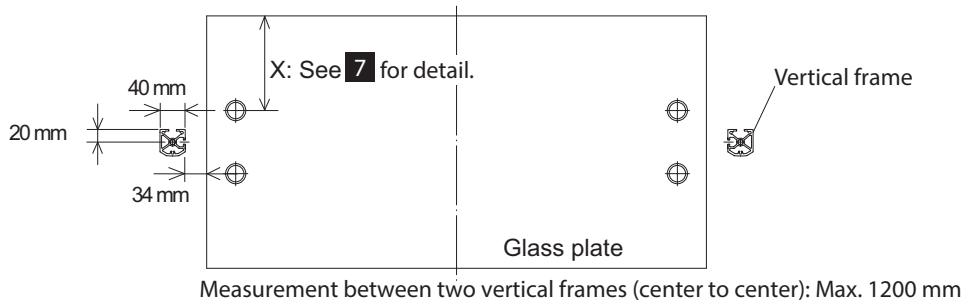
Floor - Ceiling mounting
Mount fixing on the floor and the ceiling.

Fixing screws (not provided)

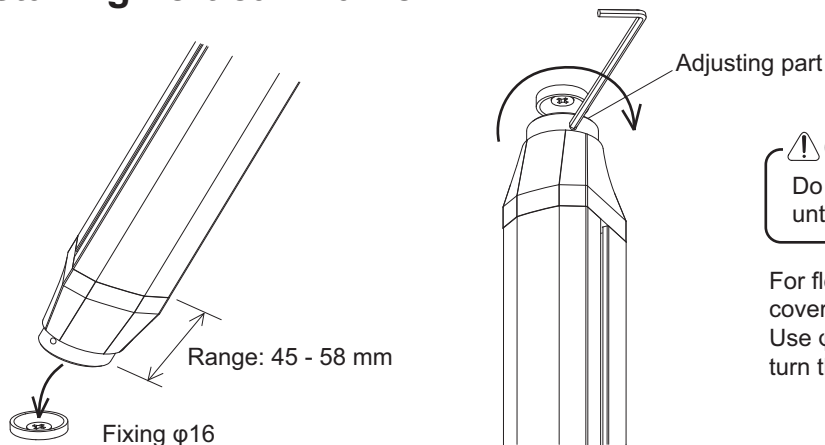
Recommended screws
For wooden surface
: use 4x6 20 mm or bigger tapping screws.
For concrete surface
: use 4x6 20 mm or bigger plastic anchors.



5 Position of Glass Shelf



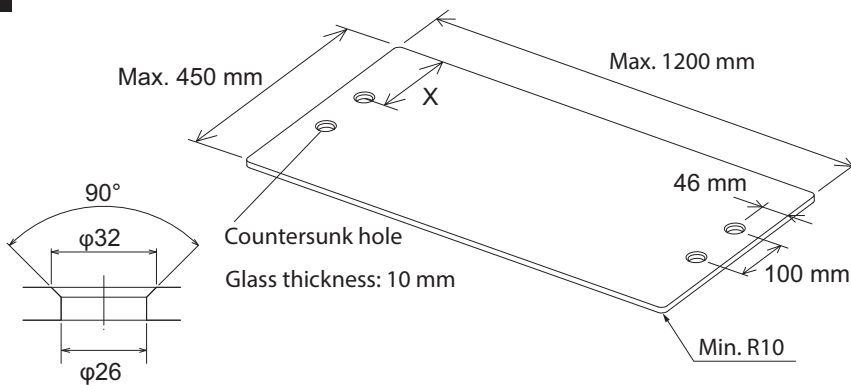
6 Installing Vertical Frame



Caution
Do not assemble glass shelves until vertical frames are fixed.

For floor - ceiling mounting, cover fixing $\phi 16$ by loosening Leveling leg. Use $\phi 2.5$ bar or hex key to turn the adjusting part when it gets tight.

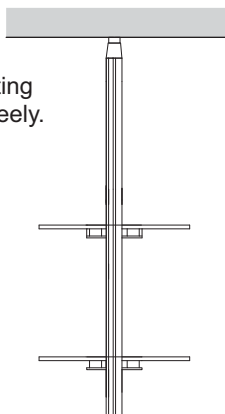
7 Preparation of Glass Shelves



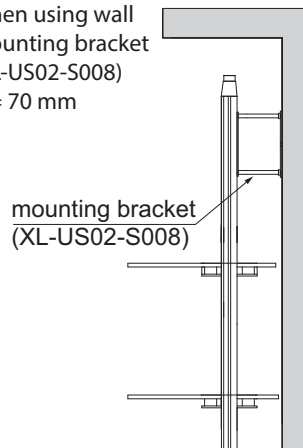
Caution
Use tempered glass.

Prepare 3 glass plates.

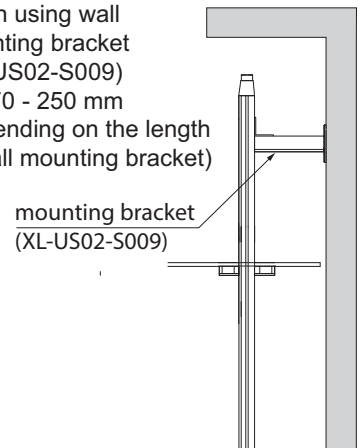
Floor - Ceiling mounting
X can be specified freely.



When using wall mounting bracket (XL-US02-S008)
X = 70 mm

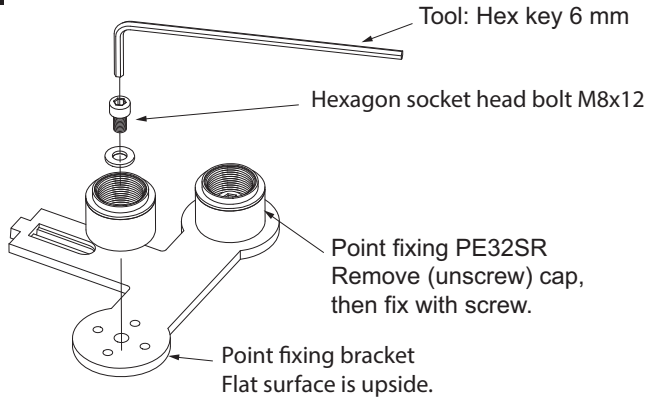


When using wall mounting bracket (XL-US02-S009)
X = 70 - 250 mm (depending on the length of wall mounting bracket)



8

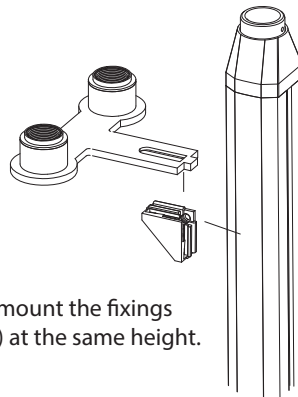
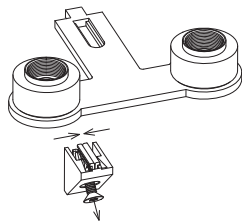
Assembling point fixing



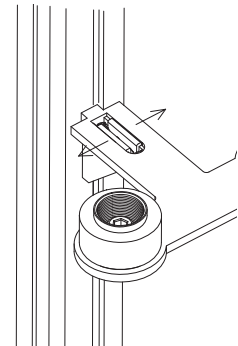
9

Mount of point fixing

Loosen the screws on the shelf support, then clamping parts are closed and ready to be assembled. Tighten the screw to fasten the shelf support after assembling.



Be sure to mount the fixings (left - right) at the same height.



Tool: Hex key 4 mm
Make sure that the clamping parts on the shelf support are fastened to both vertical frame and point fixing bracket firmly.

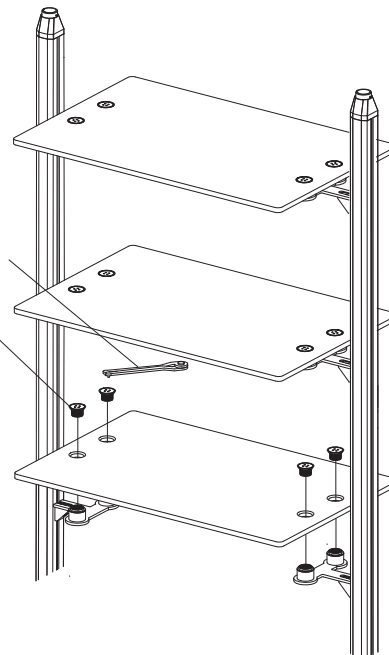
10

Assembling glass plates

Caution
Handle glass plates with care.

Tool: Pin spanner wrench Z058 (sold separately)

Cap of point fixing PE32



SUGATSUNE KOGYO CO.,LTD.
Tokyo, JAPAN
Phone: +81 (0)3 3866 2260
E-mail: export@sugatsune.co.jp

SUGATSUNE KOGYO (UK) LTD.
Reading, UK
Phone: +44 118 9272 955
E-mail: sales@sugatsune.co.uk

SUGATSUNE EUROPE GmbH
Düsseldorf, GERMANY
Phone: +49 211 53812900
E-mail: info@sugatsune.eu

SUGATSUNE KOGYO INDIA PRIVATE LIMITED
Mumbai, INDIA
Phone: +91 22 28314490/91
E-mail: sales@sugatsune.in

SUGATSUNE SHANGHAI Co., LTD.
Shanghai, CHINA
Phone: +86 21 3632 1858
E-mail: lamp@sugatsune.com.cn

Guangzhou, CHINA
Phone: +86 20 6639 3552
E-mail: lamp@sugatsune.com.cn

SUGATSUNE AMERICA, INC.
California, USA
Phone: +1 310 329 6373
E-mail: sales@sugatsune.com

Chicago, USA
Phone: +1 312 461 1081
E-mail: chicagoshowroom@sugatsune.com