

# INSTALLATION MANUAL

LAMP®

## AF-25D

### ALUMINUM FRAME SWING DOOR (2 WAY ADJUSTABLE)

Thank you for using our product. Before installation, please read this manual thoroughly to ensure correct installation. Please keep this manual at hand for future reference.





#### ABOUT THE PRODUCT

- This product is a parts set for an aluminum frame swing door system for indoor use.

#### SPECIFICATIONS

Door width	Max. 900 mm
Door height	2200 mm(Without Intermediate support)
Glass thickness	5 mm, 6 mm
Max.Door weight	40 kg (per door) ※ <sup>1</sup>

※<sup>1</sup> Glass size should be determined with priority given to door weight.





Intermediate support (Optional)※ <sup>2</sup> required quantity				
	None	2 pcs.	3 pcs.	4 pcs.
Door size	Max. W900×H2200 (standard size)	Max. W800×H2500	Max. W750×H2700	Max. W700×H3000

※<sup>2</sup> This is a guideline for a glass thickness of 5 mm and a door weight of 40 kg.








#### FOR YOUR SAFETY AND CORRECT INSTALLATION

 Warning · Caution  Prohibited  Required

##### Warning If not followed, death or serious injury may result.

-  · This product should be installed by a qualified person in accordance with this manual. If it is not installed correctly, the door may fall and cause injury.
-  · Provide a frame that can withstand the weight and impact of opening and closing the door. Be sure to use the specified screws and tighten them securely. If the mounting strength is insufficient, the door may fall and cause injury.
-  · Do not use this product for any other purpose, or with doors that are outside the specifications of this manual.
-  · Do not disassemble or modify any parts other than those described in this document.

##### Caution If not followed, injury or damage may result.

-  · To avoid damaging of aluminum frame, carry out installation work on clean floor.
-  · Use tempered glass. Using shatter-proof film is recommended.
-  · Follow the specified dimensions, specifications, and alignment of the door and frame. Warping, tilting or twisting of the frame or door may cause failure.
-  · If cutting any parts, make sure to remove any burrs before installation. Also check the upper track for any left-over burrs or scraps and remove these.
-  · This product is a part for architectural fittings. After installation, please check the function and safety of the final product. Please inform the end user how to use the product safely.
-  · Make sure to check the screws for slack at regular intervals (one month from first usage, half a year, and then one time every year is recommended).
-  · This product is not waterproof. It cannot be used inside a bathroom where it may be directly exposed to water.

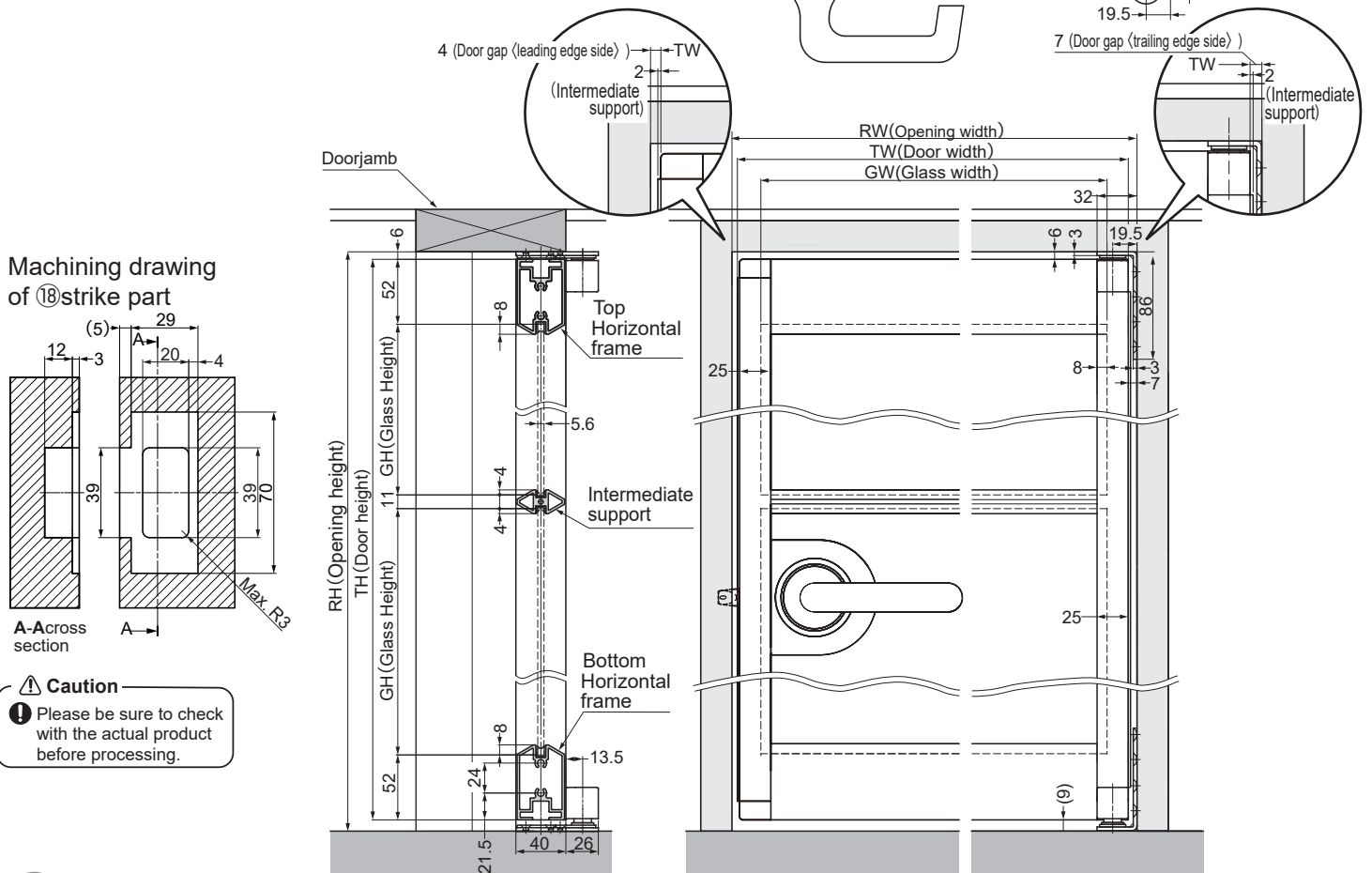
# COMPONENT PARTS

Components (per door)	Standard size parts (specify the number of parts required)	Lever handle parts
<p>① Pivot hinge (left/right) both AF-25-P10</p> <p>①-1 Hinge cap: 2 pcs.</p> <p>①-2 Hinge: 1 pc. top, 1 pc. bottom</p> <p>② Bracket: 1 pc. top, 1 pc. bottom</p> <p>③ Case front: 1 pc.</p> <p>④ Case back: 1 pc.</p> <p>⑤ Case cover: 2 pcs.</p> <p>⑥ Gasket: 4 pcs.</p> <p>⑦ Corner parts: 2 pcs. AF-25-P04</p>	<p>⑧ Vertical frame: 2500 mm, 3000 mm AF-25-W01</p> <p>⑨ Horizontal frame : 2000 mm AF-25-W02</p> <p>⑩ Intermediate support: 2000 mm AF-25-W03</p> <p>⑪ Gasket AF-25-P02 (2500 mm) for 5 mm AF-25-P15 (3000 mm) for 6 mm</p> <p>⑫ Gasket for intermediate support AF-25-P03 (2500 mm) for 5 mm AF-25-P16 (2500 mm) for 6 mm</p> <p>⑬ Cover: 2500 mm, 3000 mm AF-25-P01</p>	<p>Lever handle (Passage) HCSA138F11</p> <p>Lever handle (Cylinder Lock &amp; Thumbturn) HCSA138SF11G</p> <p>※ The included plastic Ring case is not be used.</p> <p>⑭ Lever handle: 1 set As for the shape and key type, ask our sales staff.</p> <p>⑮ Mounting tool: 1 pc.</p> <p>⑯ Fixing bolt: 1 pc.</p> <p>⑰ Latch bolt: 1 pc.</p> <p>⑱ trike: 1 set Cross-recessed self-tapping screw 4 × 30: 2 pcs.</p> <p>Decorative rings</p>
		<p><b>Screw</b></p> <p>⑲ Hexagon socket countersunk head screw M5 x 12: 4 pcs (Included in handle case)</p> <p>⑳ Hexagon head bolt M4 : 1 pc. (Attached to hinge)</p> <p>㉑ Plain washer 6 mm: 1 pc. (Attached to hinge)</p>
		<p><b>Door assembly screw (not provided)</b></p> <p>㉒ Hexagon socket head bolt M6 x 30: 8 pcs.</p> <p>㉓ Hexagon socket head bolt M4 × 30: 6 pcs. (Q'ty of intermediate support × 2) : 8 pcs.</p> <p>㉔ Hexagon socket countersunk head screw M4 × 25: 12 pcs</p> <p>㉕ Countersunk head tapping screw M4 (M5) × 30 or more: 8 pcs.</p>

## INSTALLATION DRAWING (EXAMPLE)

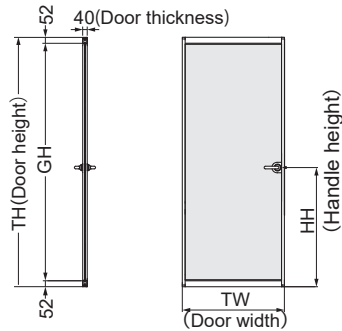
TH (Door height) ≥ RH (Opening height) - 15  
(Set the clearance above the door at 6 mm.)

TW (Door width) = RW (Opening width) - 11  
(Gap at hinge side: 7 mm, Gap at door end: 4 mm)



# Machining dimensions of parts

## ■ Without intermediate support



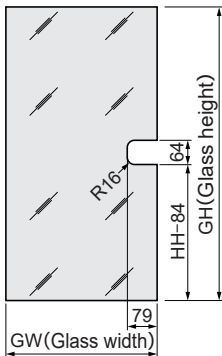
$$GH(\text{Glass height}) = TH - 104$$

$$GW(\text{Glass width}) = TW - 34$$

Ex.) When the door height is 2200 mm, the width is 900 mm, and an Intermediate support is located in the middle,

$$GH = 2200 - 104 \quad GW = 900 - 34$$

$$GH = 2096\text{mm} \quad GW = 866\text{mm}$$



### ⚠ CAUTION

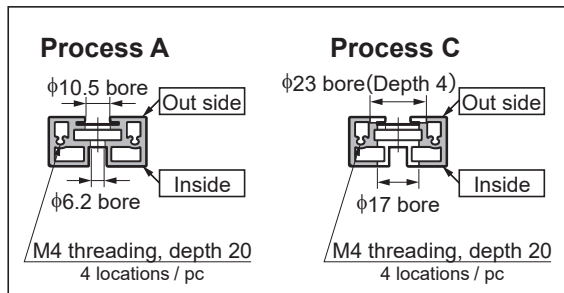
- Please consult your glass supplier for glass processing dimensions.
- Glass is not included.
- Use tempered glass. Using shatter-proof film is recommended.

## Vertical frame processing

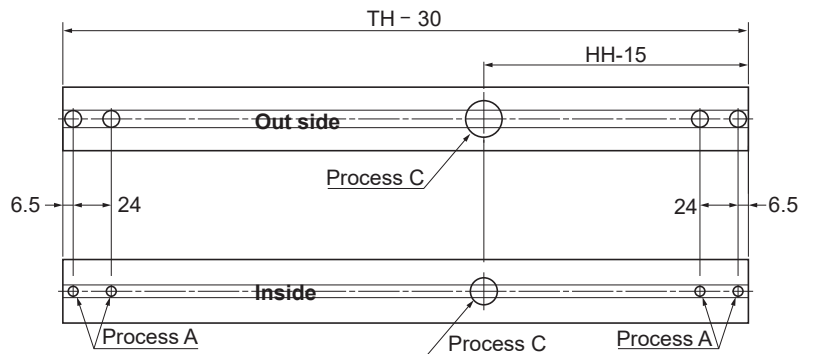
⑩ Without intermediate support

...Process A+Process C

TH=Door height  
GH=Glass Height  
HH=Handle height

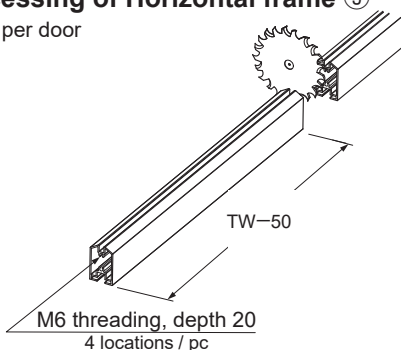


- ⚠ When working on frames, wear protective glasses.
- ⚠ Cut the frames at right angles and to the correct length.

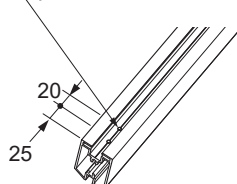


## Processing of Horizontal frame ⑨

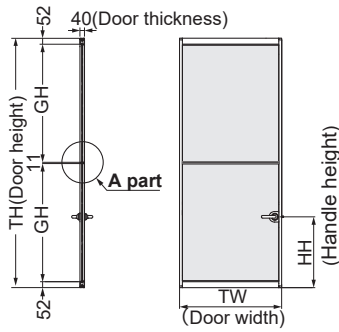
2 pcs. per door



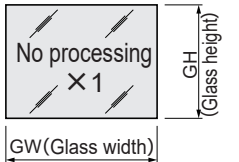
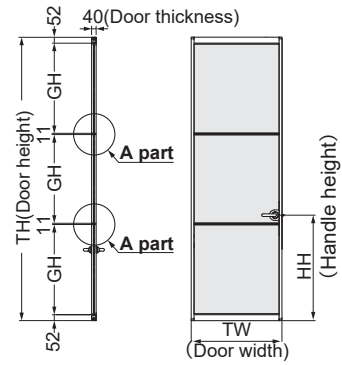
⑨ Horizontal frame tapping, 2 pos. per horizontal frame



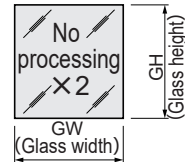
## ■ 1 Support



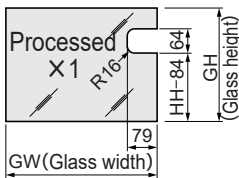
## ■ 2 Support



$$GH(\text{Glass height}) = \frac{TH - 104 - (\text{Q'ty of Intermediate support} \times 11)}{\text{Q'ty of glass}}$$

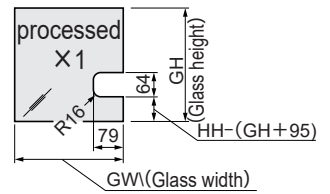


$$GW(\text{Glass width}) = TW - 34$$



**CAUTION**

- Please consult your glass supplier for glass processing dimensions.
- Glass is not included.
- Use tempered glass. Using shatter-proof film is recommended.



## Vertical frame processing

### ⑩1 Support

...Process A+Process B②+Process C

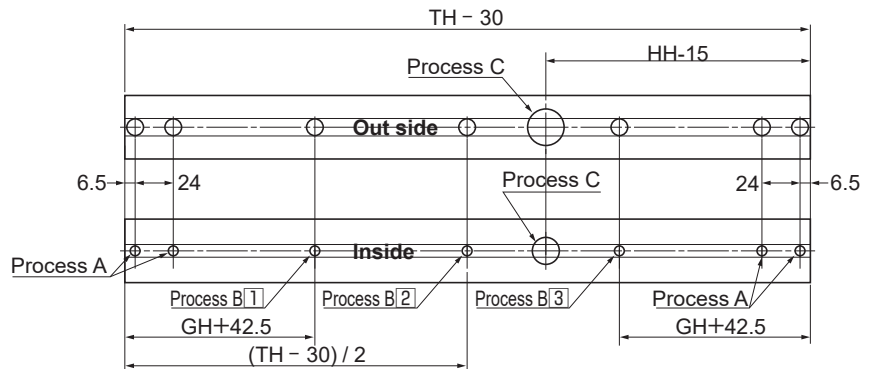
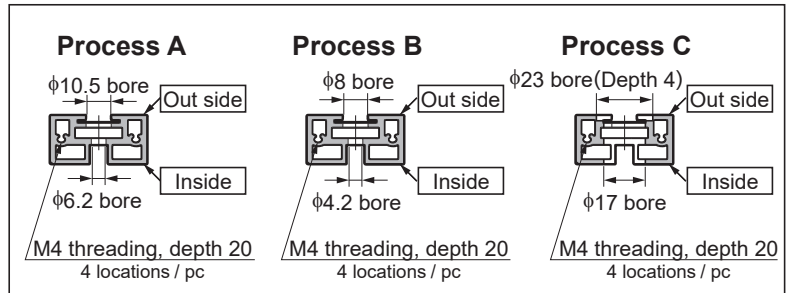
### ⑩2 Support

...Process A+Process B①、③+Process C

TH=Door height

GH=Glass Height

HH=Handle height

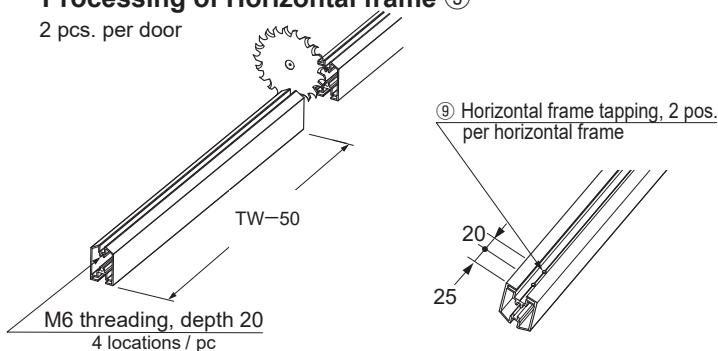


**!** When working on frames, wear protective glasses.

**!** Cut the frames at right angles and to the correct length

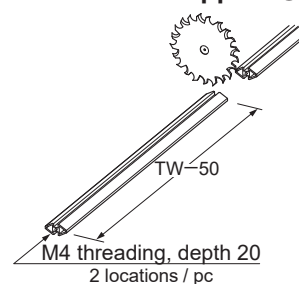
## Processing of Horizontal frame ⑨

2 pcs. per door

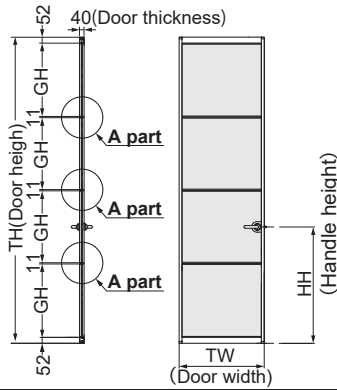


## Processing of Intermediate support ⑩

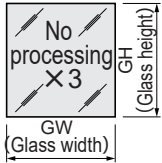
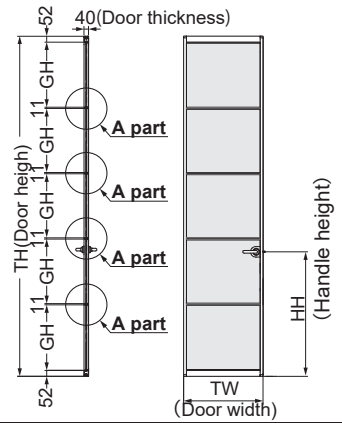
1 or 2 / 1 door



### ■3 Support

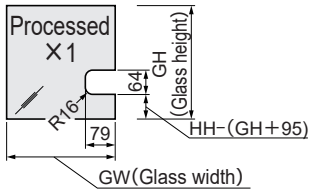
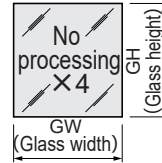


### ■4 Support



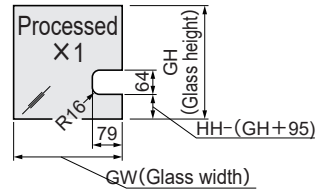
$$GH(\text{Glass height}) = \frac{TH - 104 - (\text{Q'ty of Intermediate support} \times 11)}{\text{Q'ty of glass}}$$

$$GW(\text{Glass width}) = TW - 34$$



**CAUTION**

- Please consult your glass supplier for glass processing dimensions.
- Glass is not included.
- Use tempered glass. Using shatter-proof film is recommended.



### Vertical frame processing

#### ⑩3 Support

...Process A + Process B [1], [4], [5] + Process C

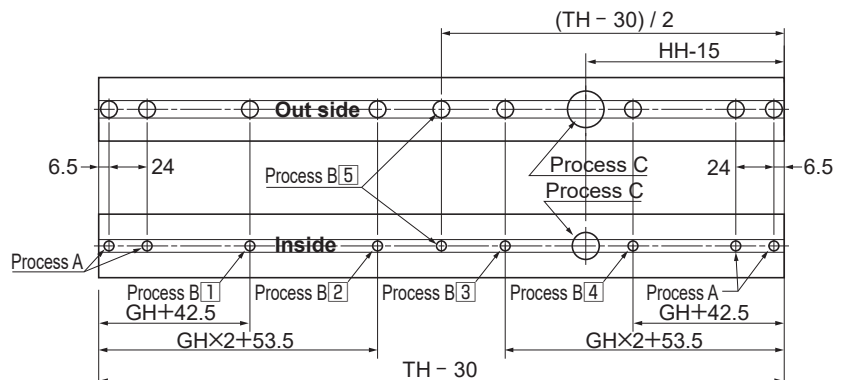
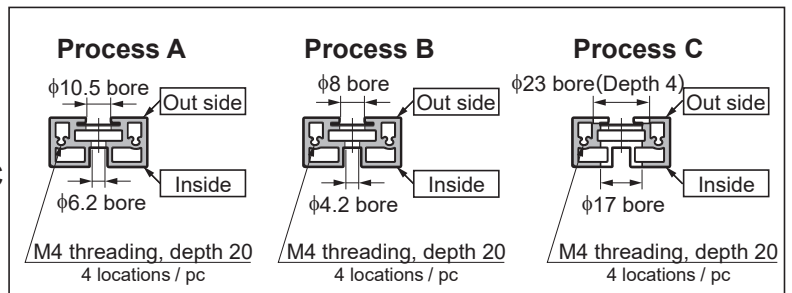
#### ⑩4 Support

...Process A + Process B [1], [2], [3], [4] + Process C

TH = Door height

GH = Glass Height

HH = Handle height

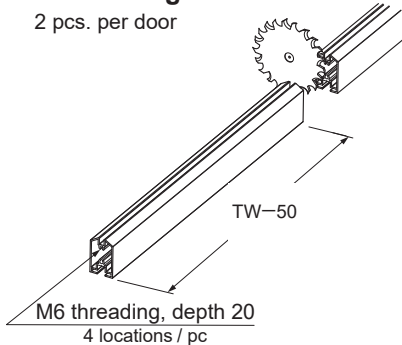


**!** When working on frames, wear protective glasses.

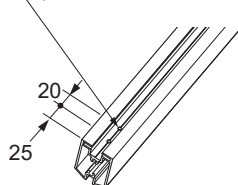
**!** Cut the frames at right angles and to the correct length.

### Processing of Horizontal frame ⑨

2 pcs. per door

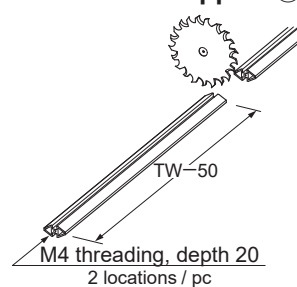


⑨ Horizontal frame tapping, 2 pos. per horizontal frame

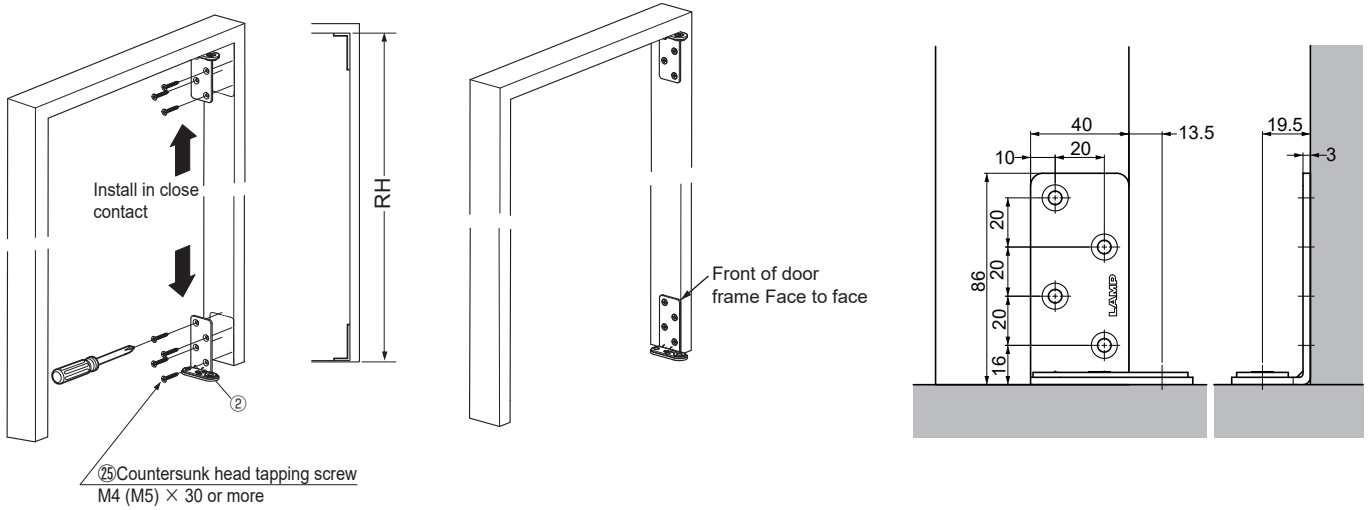


### Processing of Intermediate support ⑩

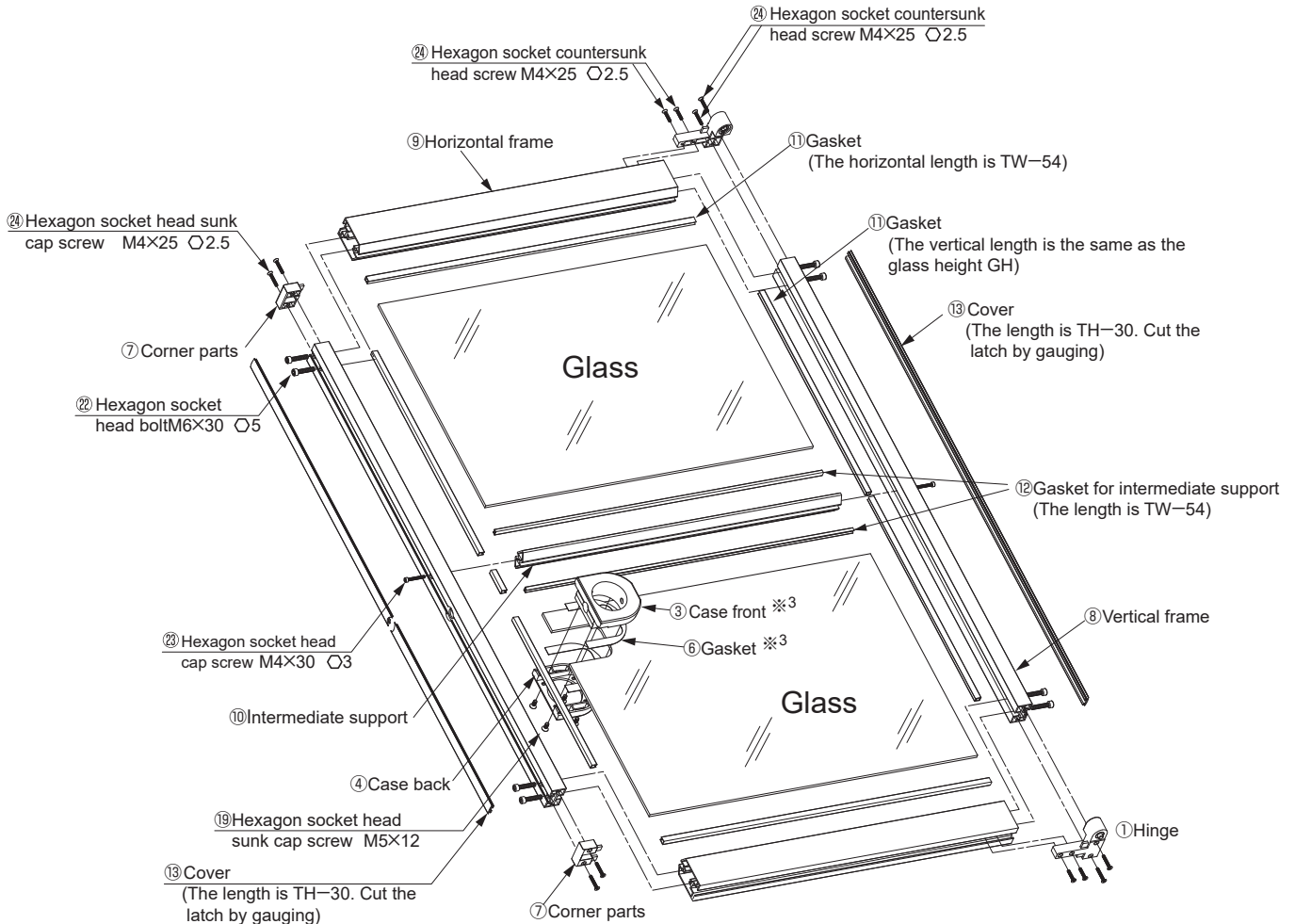
3 or 4 / 1 door



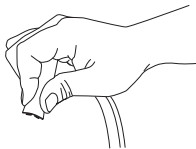
## 1 Installing bracket for pivot hinge



## 2 Assembling door



When setting the cover ⑬ to the groove of the vertical frame ⑧, slightly squeeze it, and push it in.



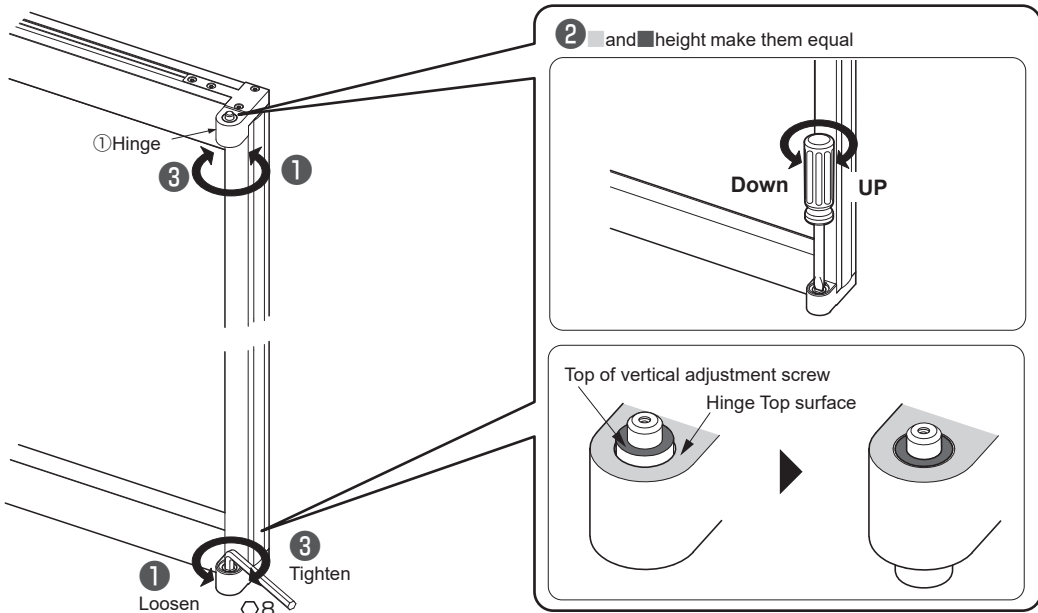
### ⚠ CAUTION

※3

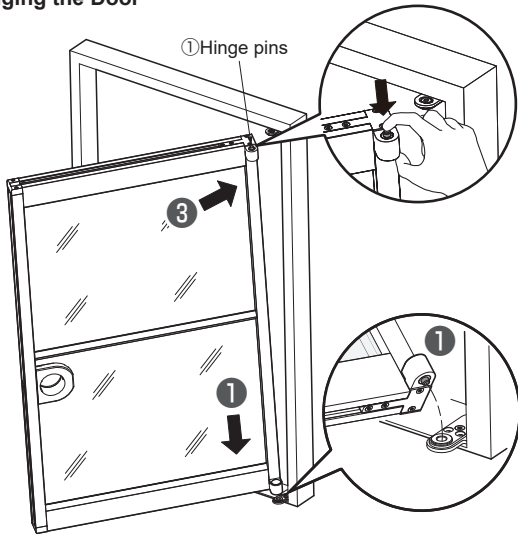
- Mount case front ③ and case back ④ last.
- Q'ty of gasket ⑥;  
5 mm of glass thickness: 4 pcs  
6 mm of glass thickness: 2 pcs

# Door Hanging and adjustment

[1]

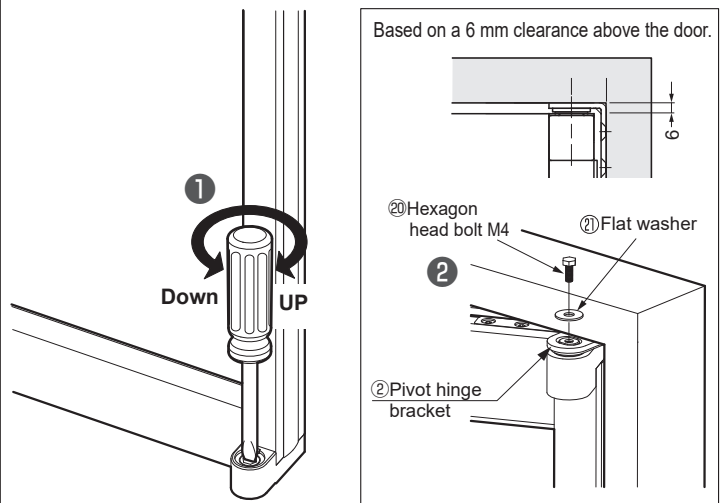


## [2] Hanging the Door



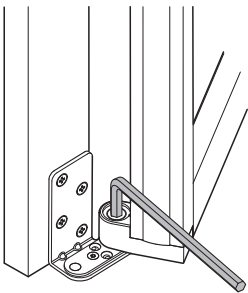
4 Ensure that the hinge pin  
(Based on a 6 mm clearance above the door.)

## [3] Adjustment of Door Height



Attach the flat washer ① and hexagonal bolt ② to the hinge ①.

## [4] Fixing the door

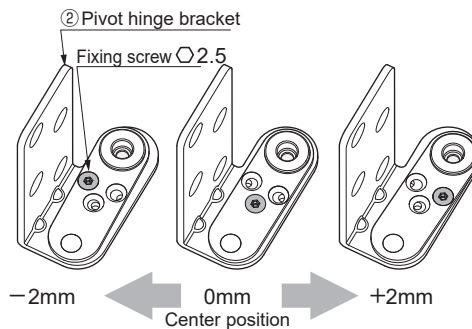


### Warning

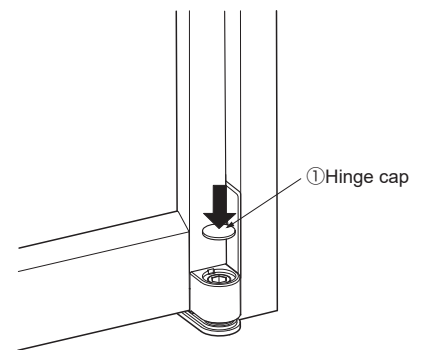
Be sure to tighten screws firmly.  
Failure to tighten screws may cause the door to accidentally fall.

## [5] Left and Right Adjustment

Adjust the upper and lower pivot hinges by replacing the fixing screws.



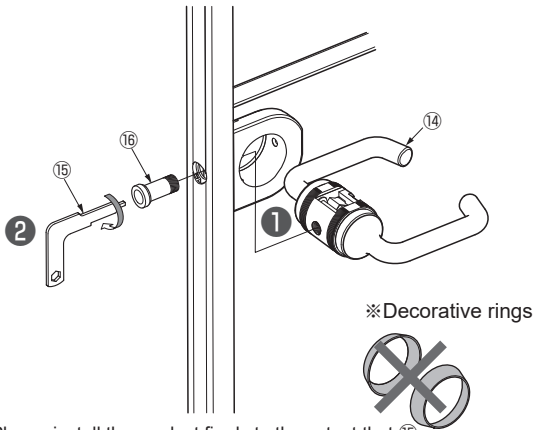
## [6]





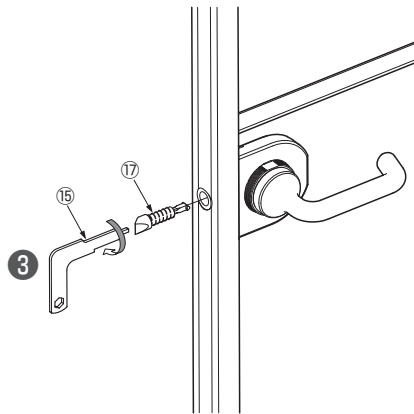
### 3 Installing lever handle

[1]

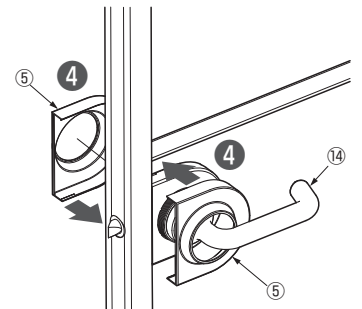


Please install the product firmly to the extent that 15 will not be deformed.

[2]



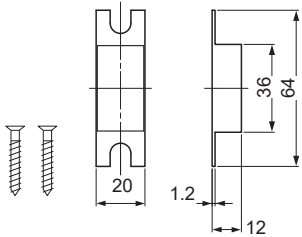
[3]



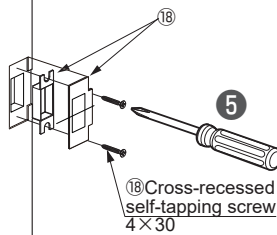
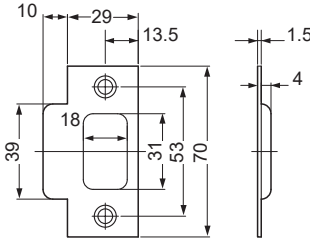
**⚠ Caution**  
 ⚠ The front door lock must be fitted with a thumbturn and cylinder. Once installed, they cannot be removed. Once installed, they cannot be removed.

[4]

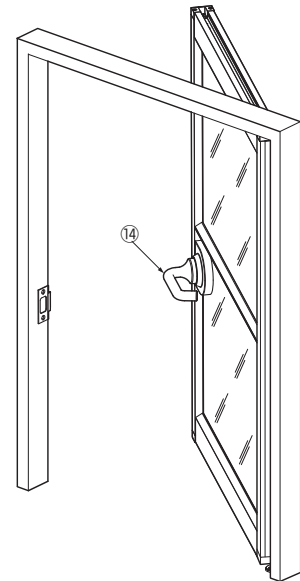
#### Strike box



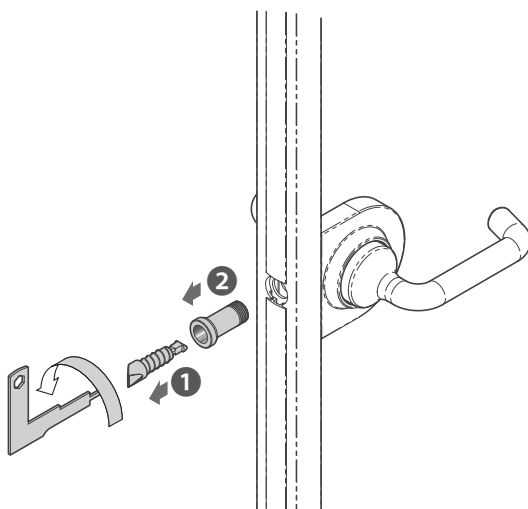
#### Strike plate



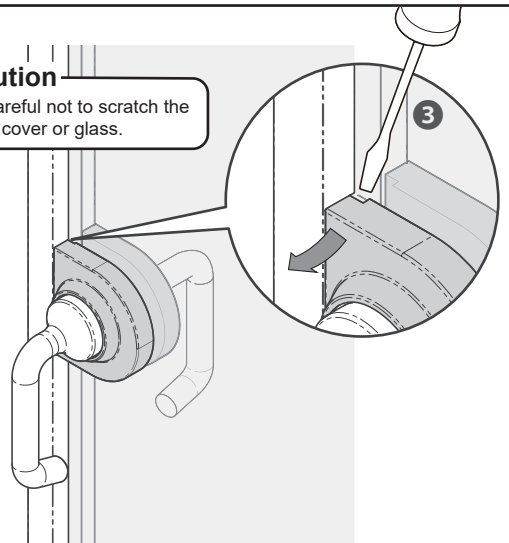
[5]



### How to remove the case cover



**⚠ Caution**  
 ⚠ Be careful not to scratch the case cover or glass.



**SUGATSUNE KOGYO CO.,LTD**  
 Tokyo, JAPAN  
 Phone: +81 (0)3 3866 2260 E-mail:export@sugatsune.co.jp

**SUGATSUNE KOGYO (UK) LTD**  
 Reading, UK  
 Phone: +44 118 9272 955 E-mail:sales@sugatsune.co.uk

**8 SUGATSUNE EUROPE GmbH**  
 Düsseldorf, GERMANY  
 Phone: +49 211 53812900 E-mail:sales@sugatsune.eu

**SUGATSUNE SHANGHAI Co., LTD**  
 Shanghai, CHINA  
 Phone: +86 21 3632 1858 E-mail:lamp@sugatsune.com.cn

**Guangzhou, CHINA**  
 Phone: +86 20 6639 3552 E-mail:lamp@sugatsune.com.cn

**SUGATSUNE KOGYO INDIA PRIVATE LIMITED**  
 Mumbai, INDIA  
 Phone: +91 22 28314490/91 E-mail:sales@sugatsune.in

**SUGATSUNE AMERICA, INC**  
 California, USA  
 Phone: +1 310 329 6373 E-mail:sales@sugatsune.com

**Chicago, USA**  
 Phone: +1 630 317 7072 E-mail:sales@sugatsune.com

**SUGATSUNE CANADA, INC.**  
 Phone: +1 514 312 5267 E-mail:support@sugatsune.ca