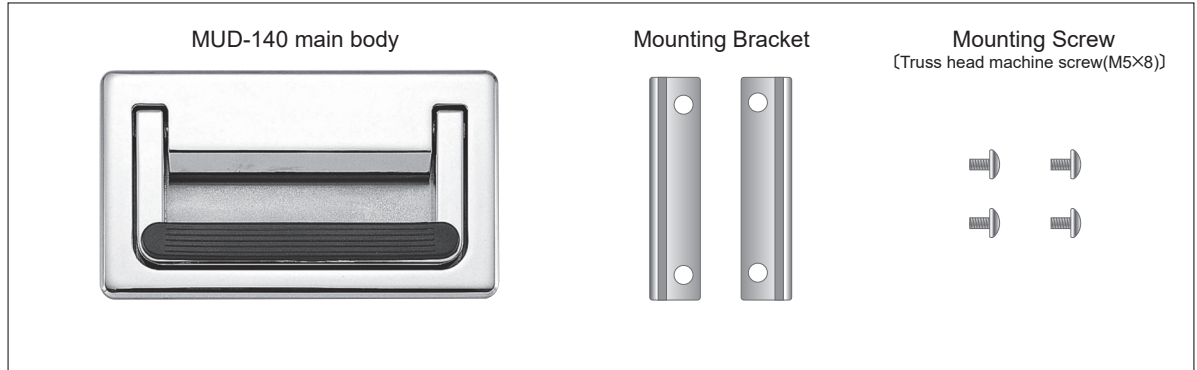


LAMP[®]

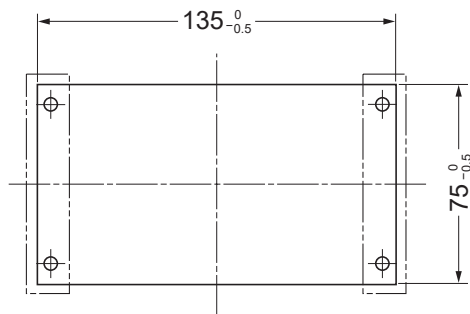
TRUNK HANDLE MUD-140 INSTALLATION MANUAL

For proper installation and use, please follow the instruction carefully.

■ Maximum loading capacity: 30 kg.



Preprocessing Drawing for boring

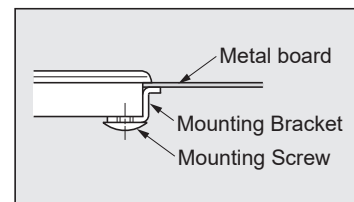
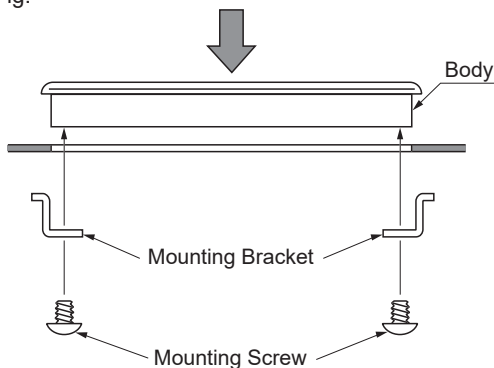


HOW TO INSTALL

[Applicable to metal board ranging from 0.8 mm thick to 3.2 mm thick by using proper size mounting plate]

- 1 Following the drawing left, please do preprocessing work on mounting surface.
- 2 Place main body into mounting hole.
- 3 Fix main body by clamping metal board with mounting bracket fastened by screws from back side. (Fig)
- 4 Tighten all four screws.

Fig.



SUGATSUNE KOGYO CO., LTD.

Tokyo, JAPAN
Phone: +81 3 3866 2260
E-mail: export@sugatsune.co.jp

SUGATSUNE KOGYO (UK) LIMITED

Reading, UK
Phone: +44 1189 272 955
E-mail: sales@sugatsune.co.uk

SUGATSUNE EUROPE GmbH

Düsseldorf, GERMANY
Phone: +49 211 53812 900
E-mail: sales@sugatsune.eu

SUGATSUNE AMERICA, INC.

California, USA
Phone: +1 310 329 6373
E-mail: sales@sugatsune.com

Chicago, USA

Phone: +1 630 317 7072
E-mail: sales@sugatsune.com

SUGATSUNE CANADA, INC.

Montreal, CANADA
Phone: +1 514 312 5267
E-mail: support@sugatsune.ca

SUGATSUNE SHANGHAI CO., LTD.

Shanghai, CHINA
Phone: +86 21 3632 1858
E-mail: lamp@sugatsune.com.cn

Guangzhou, CHINA

Phone: +86 20 6639 3554
E-mail: lamp@sugatsune.com.cn

SUGATSUNE KOREA CO., LTD.

Incheon, KOREA
Phone: +82 32 220 0603
E-mail: sales@sugatsune-korea.co.kr

SUGATSUNE KOGYO INDIA

PRIVATE LIMITED
Mumbai, INDIA
Phone: +91 9867299597
E-mail: sales@sugatsune.in

Delhi, INDIA

Phone: +91 9867299597
+91 11 45093636
E-mail: sales@sugatsune.in