

Dear Customer :
The SLS-ELAN stay was designed and manufactured with Sugatsune utmost care in order to give you a high performance and smooth operation on a long-term basis. We ask you to follow these instructions for best possible results and carefree use throughout its lifetime.

Safety recommendations:

- Sugatsune recommends for the installation to be made by a professional carpenter or installer.
- The SLS-ELAN stay contains some very strong springs: for your own safety, do not fold the arm before it is securely attached to the door. Failure to observe this advice may lead to bodily injury.
- Do not disassemble the arm or body of the stay.
- Please use this stay only within the specifications indicated below.
- Standard temperature of use is 0 to 40°C.

Warranty

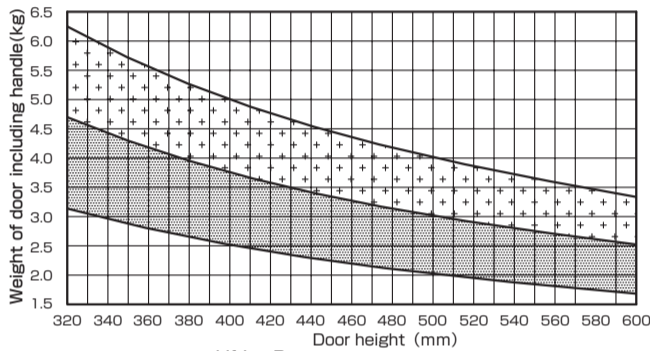
- Do not pull the arm down without door attached as it will spring back up violently and may cause serious injuries.
- The SLS-ELAN stay was produced with a particular attention to its quality. Should you however experience any difficulty, please refer to your local supplier or the Sugatsune export department (export@sugatsune.co.jp).
- The liability of Sugatsune is limited to the replacement or repair of the stay itself. Sugatsune cannot accept any liability for damaged incurred while using this stay.
- Standard guaranty is for a one-year period from the date of shipment.

Specifications

■ SLS-ELAN specifications are applicable in the list below.
For dimensions other than mentioned below, select the type based on the calculation below.

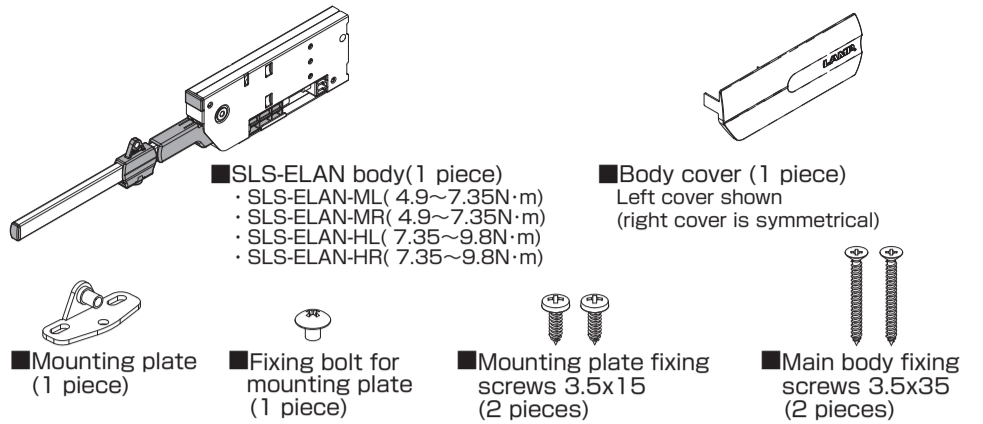
- SLS-ELAN-HL(R)
- SLS-ELAN-ML(R)

※The following table provides an overview of the possible door sizes for which SLS-ELAN can be used.
※It is given on an indicative basis only and does not constitute a guaranty in itself. Please always test assembly.
※Torque shown for 1 stay.
Double if used in pairs.

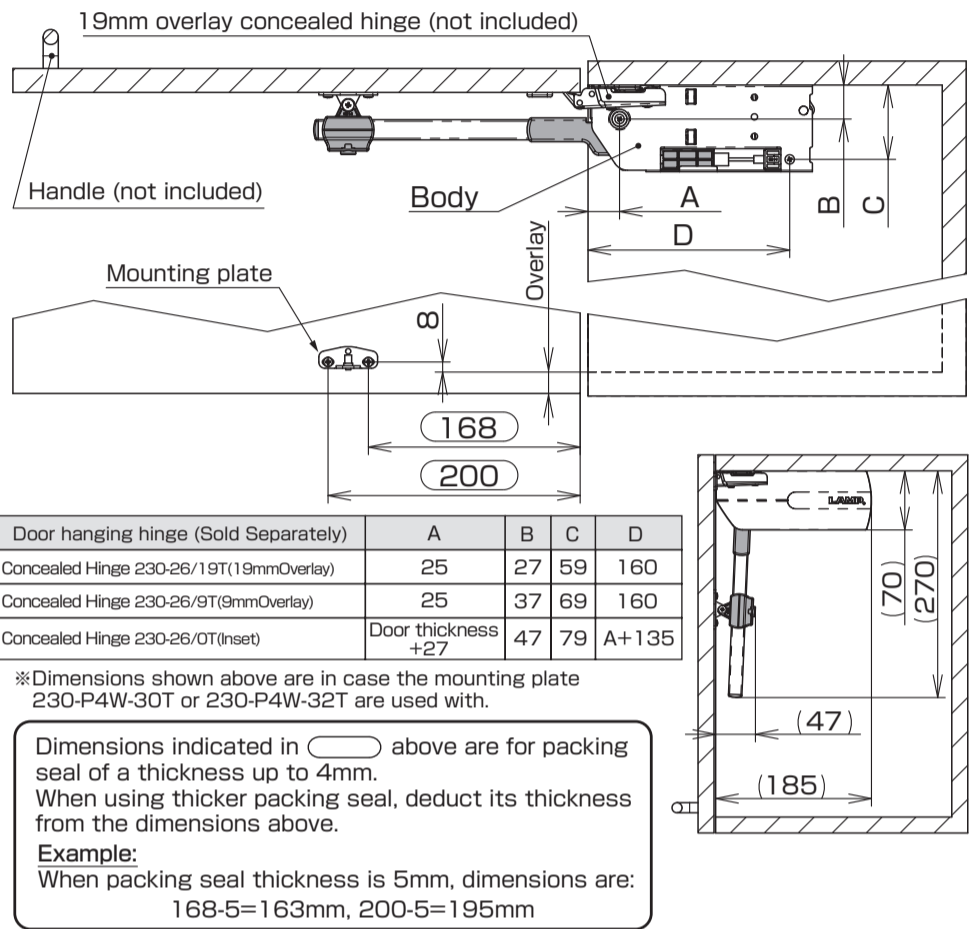


Calculation method	Lifting Power
$\frac{\text{Door height(m)}}{2} \times \text{Weight of door including handle(kg)} \times 9.8 = \text{Lifting Power (N}\cdot\text{m)}$	4.9~7.35N·m(50~75kgf·cm) : SLS-ELAN-ML(R) 7.35~9.8N·m(75~100kgf·cm) : SLS-ELAN-HL(R)

Set content



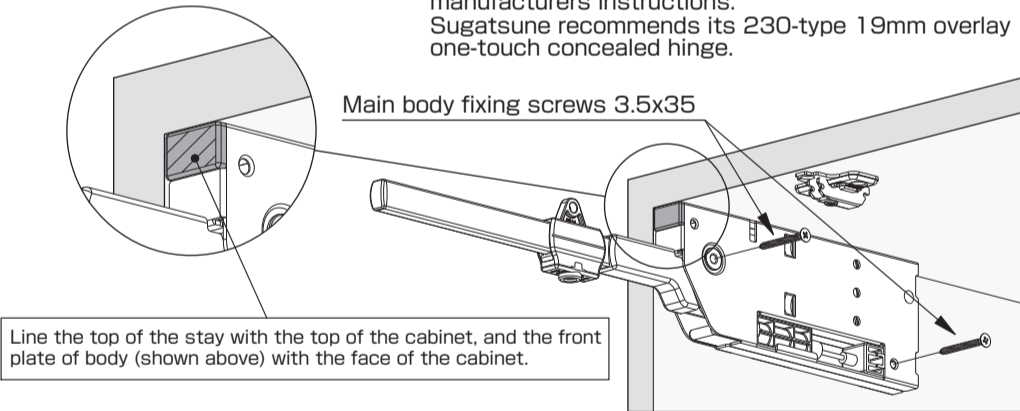
Installation drawing



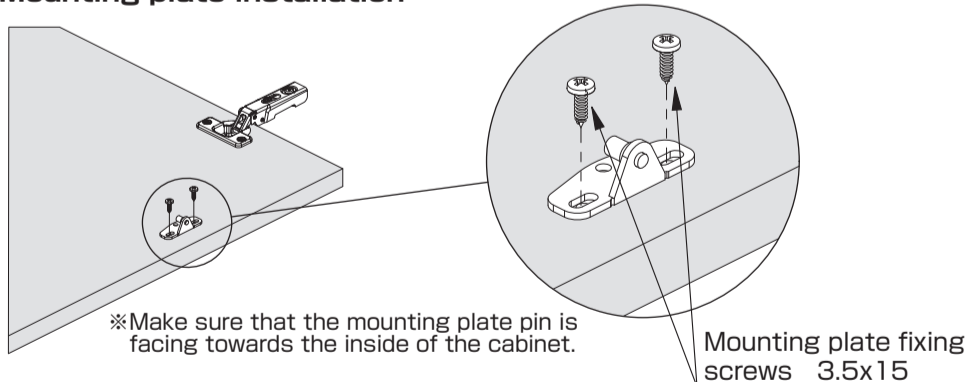
Installation

1 Body installation

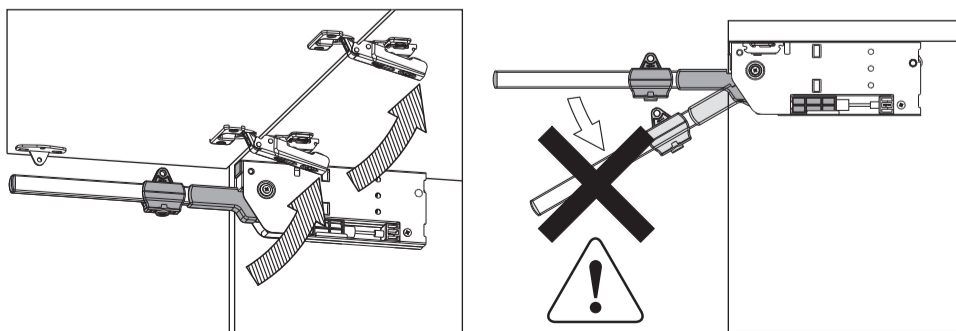
※For concealed hinge installation, please follow the manufacturers instructions. Sugatsune recommends its 230-type 19mm overlay one-touch concealed hinge.



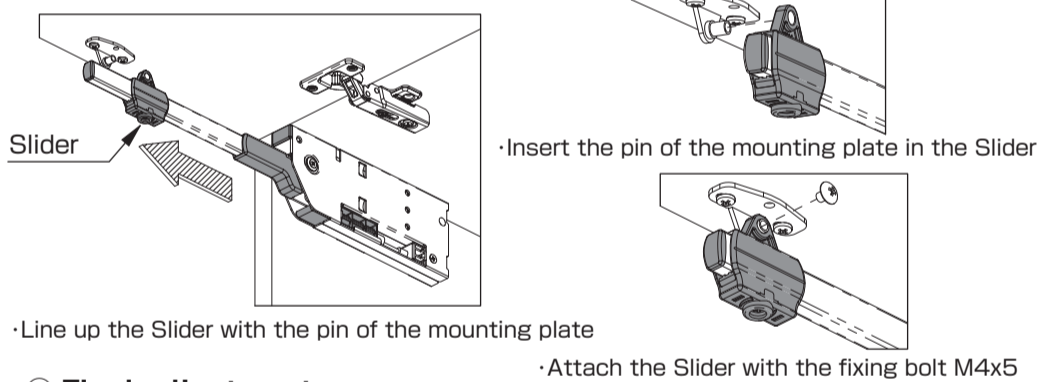
2 Mounting plate installation



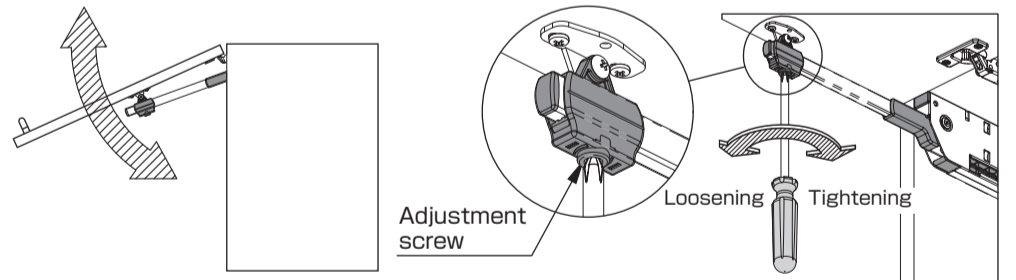
3 Door installation



4 Mounting plate and arm attachment



5 Final adjustment



·If you feel that the door is too light (self lift-up) or too heavy (self-closing), it is possible to limit the action of the spring by tightening the adjustment screw.

- ⚠ When using a light door, an under-tightened adjustment screw may result in a fast opening of the door.
- ⚠ Do not over-tighten the adjustment screw as this may damage the Slider.

6 Cover assembly and removal

