

# LAMP® FD80-H SLIDING DOOR SYSTEM Installation Manual

## Recessed Mount Roller, Two-Way Soft Close

### Part No.FD80DHCHP

Thank you for using our product. Before installation, please read this manual thoroughly to ensure correct installation. Please keep this manual at hand for future reference.

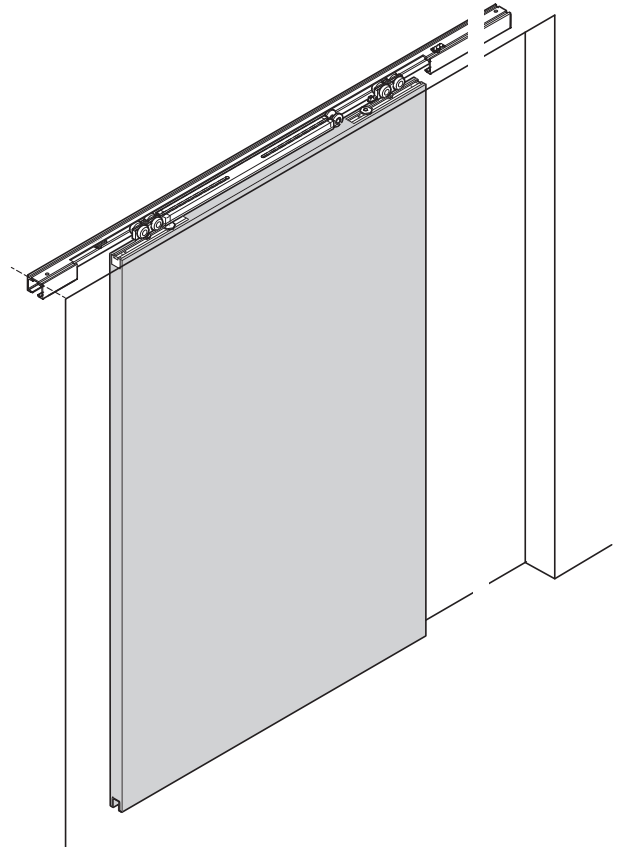
## ABOUT THE PRODUCT

- This product is a parts set for a heavy duty sliding door system for residential & commercial use.
- Built in soft closer enables two-way soft closing movement in both directions.

## SPECIFICATIONS

Door height	Max. 2500 mm	2501 mm – 2700 mm
Door width	784 mm – 1500 mm	850 mm – 1500 mm
Min. Door thickness	34 mm	
Max. Door weight	80 kg	
Vertical adjustment	1 mm upward, 4 mm downward	

- The closing speed of the soft closing type door may change depending on the ambient temperature, operating method or installation quality.
- Recommended ambient temperature range is 5 to 40 °C .



## FOR YOUR SAFETY AND CORRECT INSTALLATION

### Meaning of symbols

 <b>Warning</b> <b>Caution</b>	 <b>Prohibited</b>	 <b>Required</b>
--	---	---

**WARNING:** If not followed, death or serious injury may result.

- ❗ This product should be installed by a qualified person in accordance with this manual. If it is not installed correctly, the door may fall and cause injury.
- ❗ Provide a frame that can withstand the weight and impact of opening and closing the door. Be sure to use the specified screws and tighten them securely. If the mounting strength is insufficient, the door may fall and cause injury.
- ⊘ Do not use this product for any other purpose, or with doors that are outside the specifications of this manual.
- ⊘ Do not disassemble or modify any parts other than those described in this document.

**Caution:** If not followed, injury or damage may result.

- ❗ Follow the specified dimensions, specifications, and alignment of the door and frame. Warping, tilting or twisting of the frame or door may cause failure.
- ❗ If cutting any parts, make sure to remove any burrs before installation. Also check the upper track for any left-over burrs or scraps and remove these.
- ❗ This product is a part for architectural fittings. After installation, please check the function and safety of the final product. Please inform the end user how to use the product safely.
- ❗ Make sure to check the screws for slack at regular intervals (one month from first usage, half a year, and then one time every year is recommended).

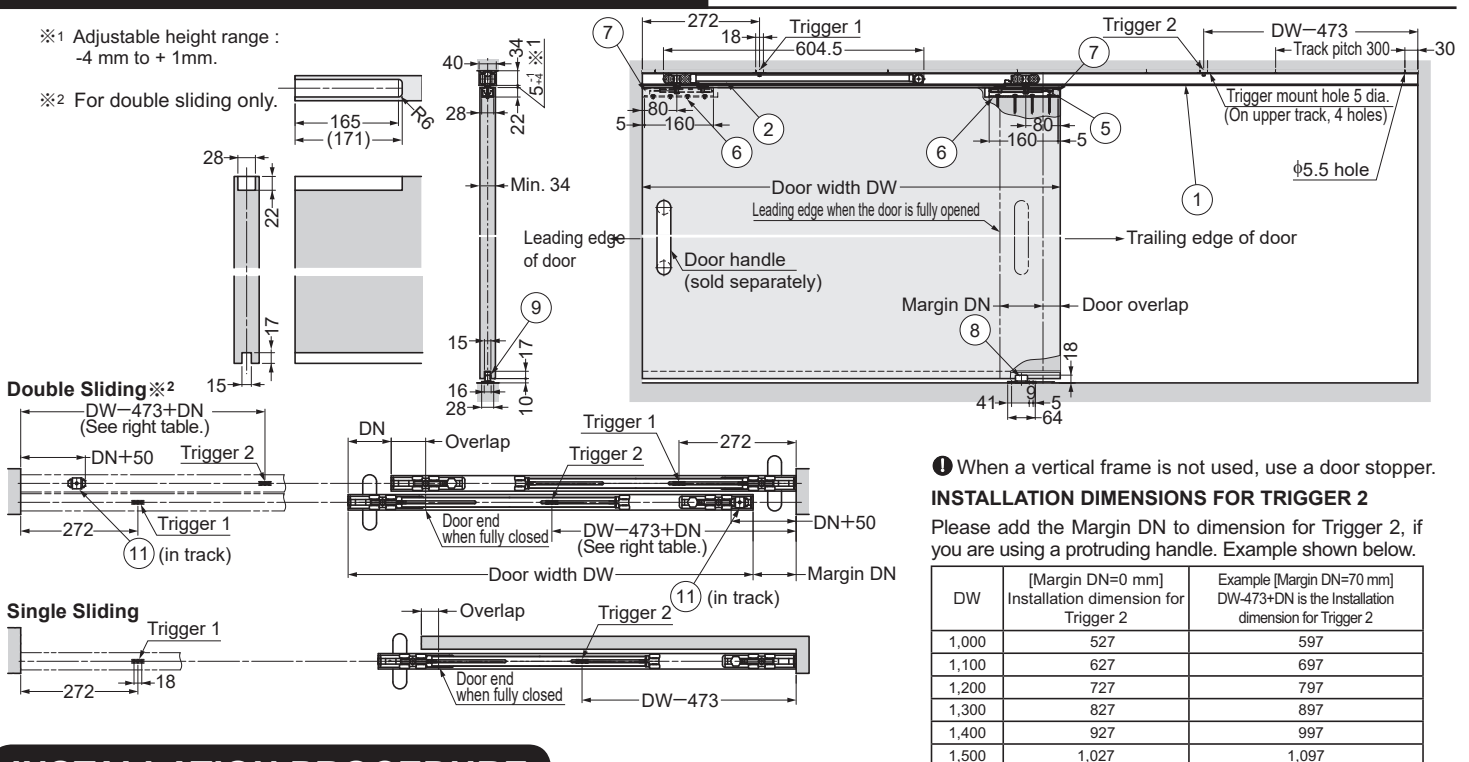
# COMPONENT PARTS

No.	①	②	③	④	⑤	⑥	⑦	⑧
Name	Upper track	Soft closer (two-way)	Trigger	Trigger mount jig	Upper roller	Hanging bracket	End cap	Floor guide S
Item No.	FD80-TRM series	FD80-WRH-DSC		FD80-TRJ	FD80-WRH	FD70B-HB160	FD70B-EC-BL	FD50-BG18
Item	(Various sizes) Hole pitch :250 mm Pitch end :30 mm 	 Accessory: Hexagon socket screw key 3 mm	 Accessory screw: Countersunk head tapping screw 4 X 30(Φ6head) ····4 pcs		 Accessory: Hexagon socket screw key 3 mm	 Accessory screw: Pan head tapping screw 5 X 40 ······4 pcs	 Black	 Accessory screw: Bind head tapping screw 4 X 16 ······5 pcs
Single sliding	1 pc	1 pc	2 pcs	1 pc	1 pc	2 pcs	2 pcs	1 pc
Double sliding	2 pcs	2 pcs	4 pcs	2 pcs	2 pcs	4 pcs	4 pcs	2 pcs
In line sliding	2 pcs	2 pcs	4 pcs	2 pcs	2 pcs	4 pcs	4 pcs	2 pcs

⑨	⑩
Door guide track FD30-HBRT1500SIL 1500 mm Hole pitch :250 mm Pitch end :30 mm 	Spanner wrench FD80-HHSP  Nominal designation 13.22
1 pc	1 pc
2 pcs	1 pc
2 pcs	1 pc

No.	⑪	⑫	⑬
Name	Stopper block	Door stopper (floor)	End cap
Item No.	FD80-HSB	FD30-HTKY	FD70B-EC-WT
Item	This is used in the upper track. 	Needed when vertical frame is not used.  Accessory screw: Bind head tapping screw 4 X 16 ······5 pcs	White 

# INSTALLATION DRAWING (EXAMPLE)



# INSTALLATION PROCEDURE

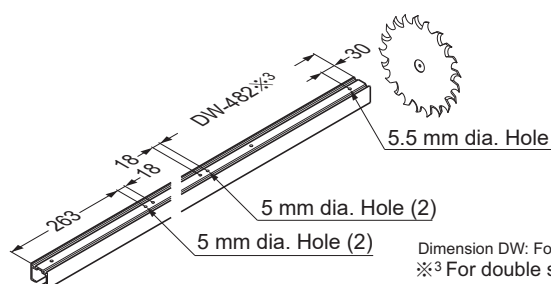
(In this manual, a single sliding door is used as an example.)

## 1 Preparation and Installation

### [1] Cutting and Hole Drilling on Upper Track

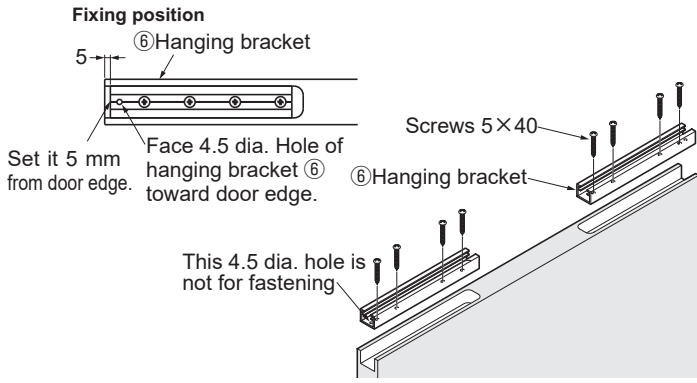
#### ⚠ CAUTION

- ① When cutting reinforce the track to prevent deformation at the cut section.
- ② Remove any dirt or aluminum chips from the track.



Dimension DW: For detail, refer to Installation Drawing (Example)  
※3 For double sliding DW-482+DN

## [2] Assembling of Hanging Bracket

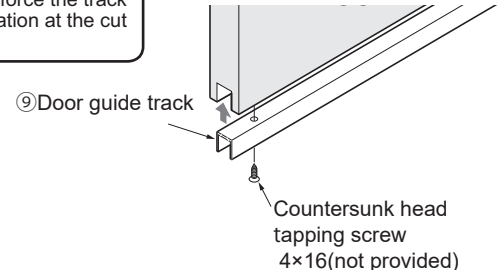


## [3] Installation of Door Guide Track

Cutting length = Door width

**CAUTION**

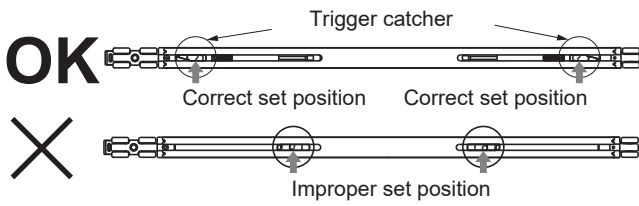
① When cutting, reinforce the track to prevent deformation at the cut section.



## [4] Verification Before Installing Soft Closer

**CAUTION**

① Without verification, the self closing feature may fail.



If the trigger position is wrong, pull back the trigger catcher to the correct position using 6 mm diameter hard bar.



VIDEO LINK

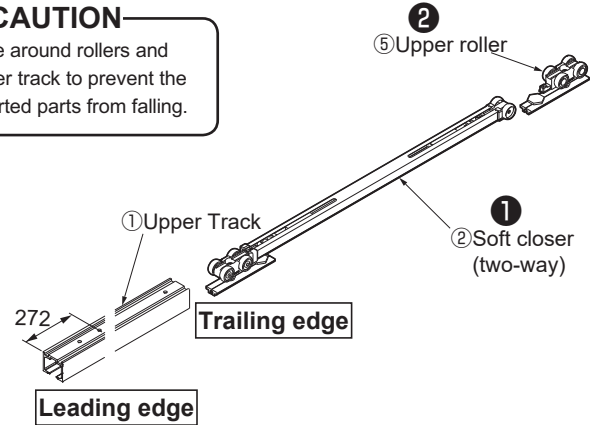


## [5] Inserting parts into Upper Track

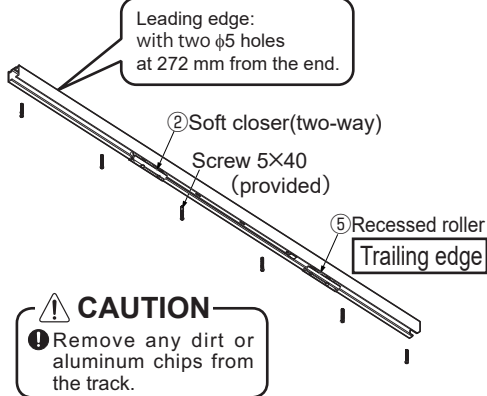
Insert the parts in order from ① to ② with care of direction.

**CAUTION**

① Tape around rollers and upper track to prevent the inserted parts from falling.

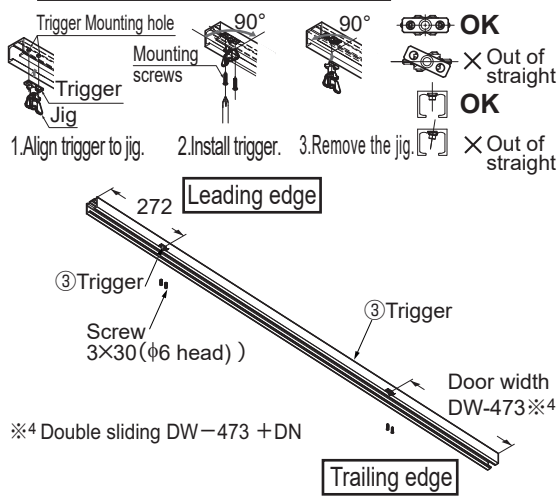


## [6] Mounting of Upper Track



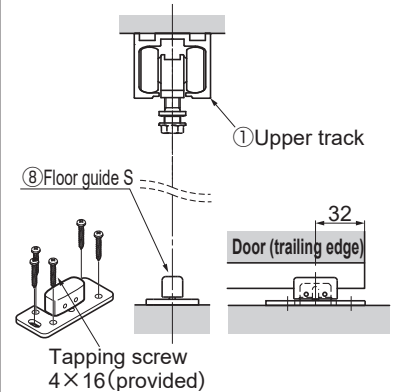
## [7] Fastening of Trigger

How to use the trigger mounting jig



## [8] Mounting of Floor Guide

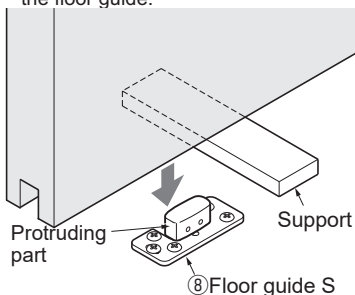
- Position floor guide just below the center of the upper track.
- position the floor guide so that its protruding part stays under the door when it is opened or closed.



## [2] Hanging the Door and Adjustment

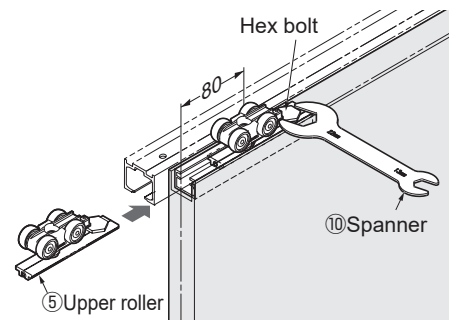
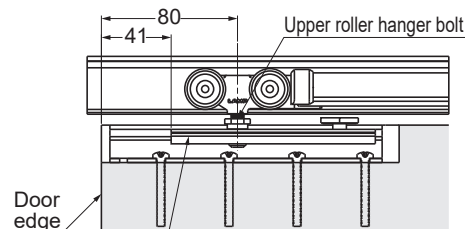
### [1] Hanging (Bottom part)

Place a 10 mm support under the door. While holding the door, place the groove under the door on the protruding part of the floor guide.



### [2] Hanging (Top part)

Insert the upper roller into the hanging bracket in the door. Position upper roller hanger bolt to 80 mm from door edge (41 mm to fix plate edge). Tighten fix bolt with spanner (22 mm)

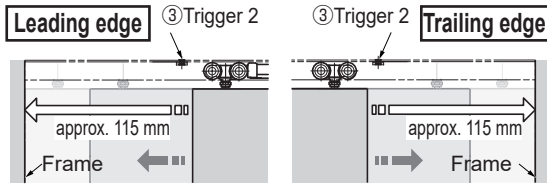


### [3] Verification of Soft Closer Operation

- (1) Remove the support from under the door.
- (2) Close the door slowly and check that the soft closer works correctly. The soft closer is engaged approximately 115 mm before the door reaches its final position.
- (3) Please refer to the "troubleshooting section" when the soft closer does not work correctly.
- (4) Carry out similar verification for the door trailing edge.

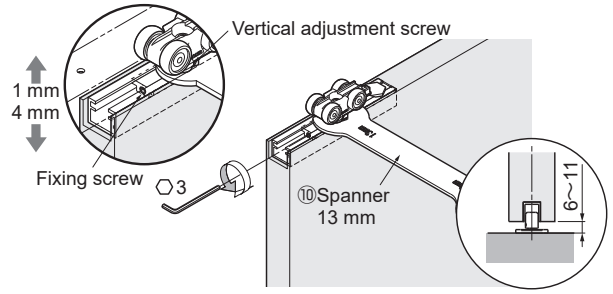
#### CAUTION

- ⊘ Do not close the door with excessive force. It may cause damage or malfunction of soft close mechanism.



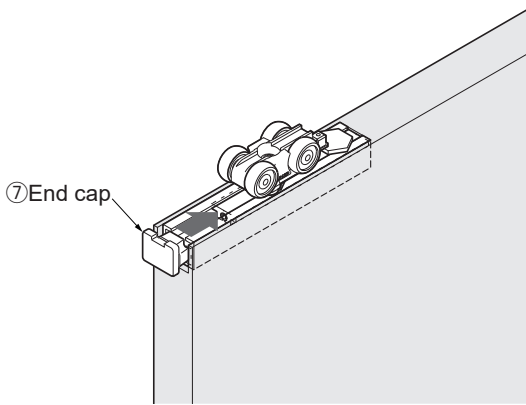
### [4] Adjusting the Door Position

- (1) Adjust the door parallel to the upper track with 6- 11 mm of clearance between the door and floor
- (2) Then, tighten the roller fixing screw with provided spanner wrench. Fix the position with provided hex key.



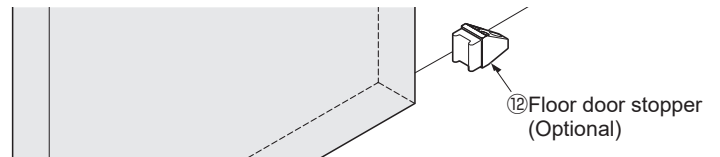
### [5] Assembling End Cap

Insert end cap into hanging bracket, as shown in figure below.



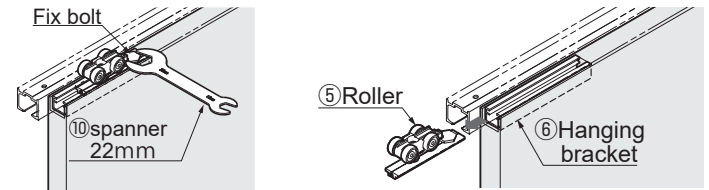
#### When Vertical Frame Is Not Used

Be sure to install the Door stopper (floor) when vertical frame is not used.



#### How to Remove Door

- (1) Put a support under the door.
- (2) Remove end cap. (See 2-5)
- (3) Loosen the fix bolt with provided spanner wrench.
- (4) Pull out the roller from the hanging bracket.



- (5) Remove the door from the Floor guide.

#### PERIODICAL INSPECTION

- Clean the inside of the track.
- Check the upper and lower space of the door. If necessary, correct the space.

## TROUBLESHOOTING

Trouble	Check Point	Solution
Door stops during soft closing	Check if door bottom contacts the floor.	Verify that the track mounting screws are not loosened. Then, adjust the door height such that the clearance between the door bottom and floor is 6 - 11 mm.
	Check if the upper track is set horizontally.	Using a level gauge, reset the upper track horizontally.
	Check if mohair seal is installed.	Reduce the friction between the mohair seal and door.
The door doesn't close softly	Check if trigger is installed.	Install trigger to specified position.
	Check if door is closed by excessive force.	Do not close door by excessive force as it may damage the soft closer.
	The position of the trigger catcher in page 3 section [4] may become dislocated. (It is hidden as installed in upper track.)	Remove the door and the upper track, then check the status of the trigger catcher in section [4].
Abnormal noise during operation	Check if door bottom contacts the floor or floor guide.	Verify that the track mounting screws are not loosened. Then, adjust the door height such that the clearance between the door bottom and floor is 6 - 11 mm.
	Check if door touches adjacent parts.	Adjust the door depth position to avoid contact with other objects or adjust the position of floor guide.
	Check track rollers for aluminum dust.	Remove the track, then pull out and clean the roller.
	Check the track mounting screws for looseness.	Retighten the screws to free the roller.
Heavy door operation	Check if door bottom contacts the floor or floor guide.	Verify that the track fixing screws are not loosened. Then, adjust the door height such that the clearance between the door bottom and floor is 6 - 11 mm.
	Check if door touches adjacent parts.	Adjust the door depth position to avoid contact with other objects or adjust the position of floor guide.
Door does not move.	Check the upper track retaining screws for looseness.	Retighten the screws to free the roller.
Door starts to move.	Check if the upper track is set horizontally.	Using a level gauge, reset the upper track horizontally.

#### SUGATSUNE KOGYO CO.,LTD

Tokyo, JAPAN

Phone: +81 (0)3 3866 2260 E-mail:export@sugatsune.co.jp

#### SUGATSUNE KOGYO (UK) LTD

Reading, UK

Phone: +44 118 9272 955 E-mail:sales@sugatsune.co.uk

#### SUGATSUNE EUROPE GmbH

Düsseldorf, GERMANY

Phone: +49 211 53812900 E-mail:sales@sugatsune.eu

#### SUGATSUNE SHANGHAI Co., LTD

Shanghai, CHINA

Phone: +86 21 3632 1858 E-mail:lamp@sugatsune.com.cn

#### Guangzhou, CHINA

Phone: +86 20 6639 3552 E-mail:lamp@sugatsune.com.cn

#### SUGATSUNE KOGYO INDIA PRIVATE LIMITED

Mumbai, INDIA

Phone: +91 22 28314490/91 E-mail:sales@sugatsune.in

#### SUGATSUNE AMERICA, INC

California, USA

Phone: +1 310 329 6373 E-mail:sales@sugatsune.com

#### Illinois, USA

Phone: +1 630 317 7072 E-mail:sales@sugatsune.com

#### SUGATSUNE CANADA, INC.

Phone: +1 514 312 5267 E-mail:support@sugatsune.ca

ISO9001(Japan Offices and Sugatsune America) and ISO14001(Chiba Production division and Logistics center), certified.

2022.03 0514-8