

MonoFlat UNISON Neo - Installation manual

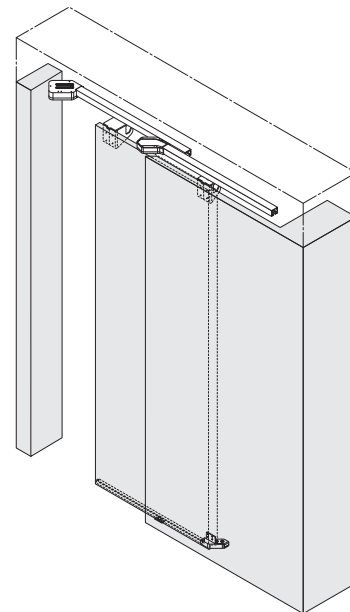
Thank you for selecting our product. Before starting installation, please read this manual thoroughly to ensure correct installation. Please keep this manual at hand for future reference.

ABOUT THE PRODUCT

- The MonoFlat UNISON Neo is a coplanar sliding door system for wardrobe.
- A built-in closer helps the door close completely.

SPECIFICATIONS

Door Width (DW)	800 to 1000 mm
Door Height (DH)	Max.2500 mm
Door Thickness (DT)	28 to 30 mm
Door Weight ※ 1	Max. 30 kg (20 kg or heavier is recommended)
Adjustment Range	Back/Front :±3.5 mm, Left/Right :±4 mm, Up/Down :±4 mm,



FOR YOUR SAFE WORK AND CORRECT INSTALLATION

Meaning of symbols

 Warning Caution	 Prohibited	 Required
---	---	---

! WARNING: If these warnings are not followed, it may result in death or serious injury.

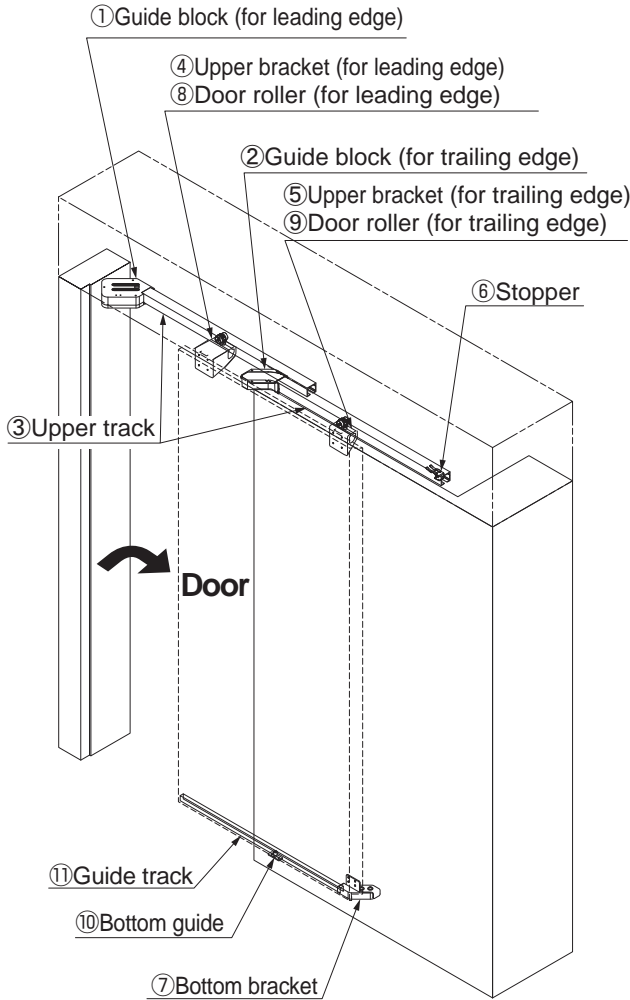
- !** This (sliding door system) should be installed by an experienced person who has correct knowledge. If the system is not installed correctly, the door will not operate smoothly, and or may cause injury.
- !** It is necessary to manufacture the frame with sufficient strength so it endures the weight of the door and impact shocks upon opening/closing the door. Also make sure to only use the designated screws and to fasten them firmly. A frame with poor strength or loose screws might result in improper and slower movement of the door. In the worst case, the door might drop down and cause injury.
- ⊘** Do not try to use this product for any other purposes other than originally intended for. Do not use the parts for applications that are out of specification.
- ⊘** Do not disassemble nor modify any parts than those described in this document.

! Caution: If these cautions are not followed, it may result in injury or damage.

- !** Make sure to follow the designated measurements, specifications, and horizontal/vertical angles. Make sure that the frame is not warped, since it may affect the movement of the door.
- !** If cutting any parts, make sure to remove any burr before installation. Also check the upper track for any left-over burr or scrap and remove these.
- !** This (sliding door system) is a part for architectural fittings. After installation, make sure to test the finished product thoroughly to ensure that it is well-functioning and safe.
- !** Make sure to check the screws for slack at regular intervals (one month from first usage, half year and then one time every year is recommended).
- !** We recommend that the installation is carried out by two people, since the door position needs to be checked from outside while the door is adjusted inside.
- ⊘** Do not operate the door with excessive force.
- ⊘** Do not lean on the door whether opened or closed.

COMPONENT PARTS

This figure shows the left-handed opening type. The right-handed opening type is a mirror image thereof.



Item Name	Description
MFU-1000-R	Door slides from Right to Left
MFU-1000-L	Door slides from Left to Right

①	②	③	④
Guide block (for leading edge)	Guide block (for trailing edge)	Upper track Length : 1000 mm	Upper bracket (for leading edge)
1 pc.	1 pc.	2 pcs.	1 pc.

⑤	⑥	⑦ ^{※2}	⑧
Upper bracket (for trailing edge)	Stopper	Bottom bracket	Door roller (for leading edge)
1 pc.	1 pc.	1 pc.	1 pc.

⑨	⑩ ^{※2}	⑪ ^{※2}	⑫
Door roller (for trailing edge)	Bottom guide	Guide track Length : 920 mm	Template
1 pc.	1 pc.	1 pc.	1 pc.

※2 ⑦⑩⑪ Optional Parts for floor mounted guide track.

Optional Parts for Floor mounted guide track	⑬	⑭	⑮
	Guide roller	End track	Floor guide track
2 pcs.	2 pcs.	2 pcs.	

■ Screws included with Product

- ⑯ Bind head tapping screw 4 x 30 10 pcs. (for upper track)
- ⑰ Round head wood screw 4.1 x 20 16 pcs.
(for ② guide block [for trailing edge] ④, upper bracket (for leading Edge) ⑤, upper bracket (for trailing edge) , and ⑦ bottom bracket)"
- ⑱ Countersunk head tapping screw 3.5 x 30 4 pcs.
(for ⑩ bottom guide)
- ⑲ Countersunk head wood screw (coarse thread) 4.2 x 65 3 pcs.
(for guide block [for door stop end] [1])
- ⑳ Countersunk head wood screw 4.1 x 20 4 pcs.
(for ⑪ guide track)
- ㉑ Hex Key 3 mm

Items to be prepared by the installer

■ Cover panels (Unit: mm)

Size of cover panel on the obverse side of door: Width = 60, Length = DW - 18, Thickness = 13 or thinner

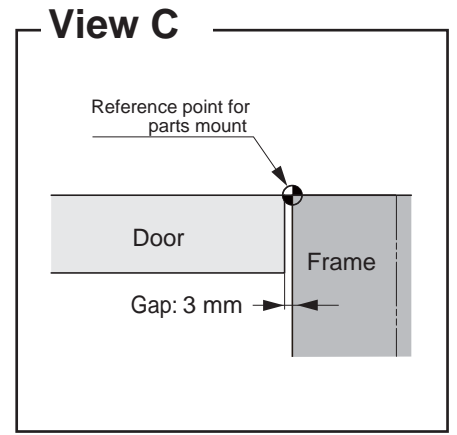
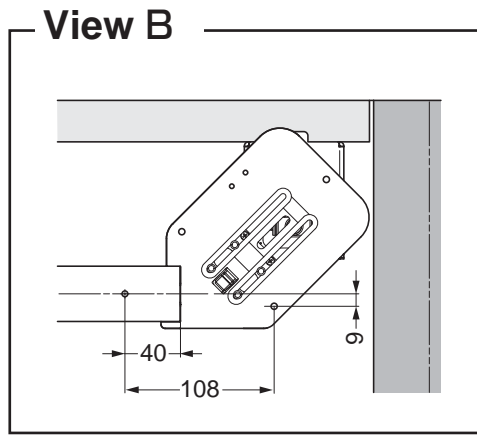
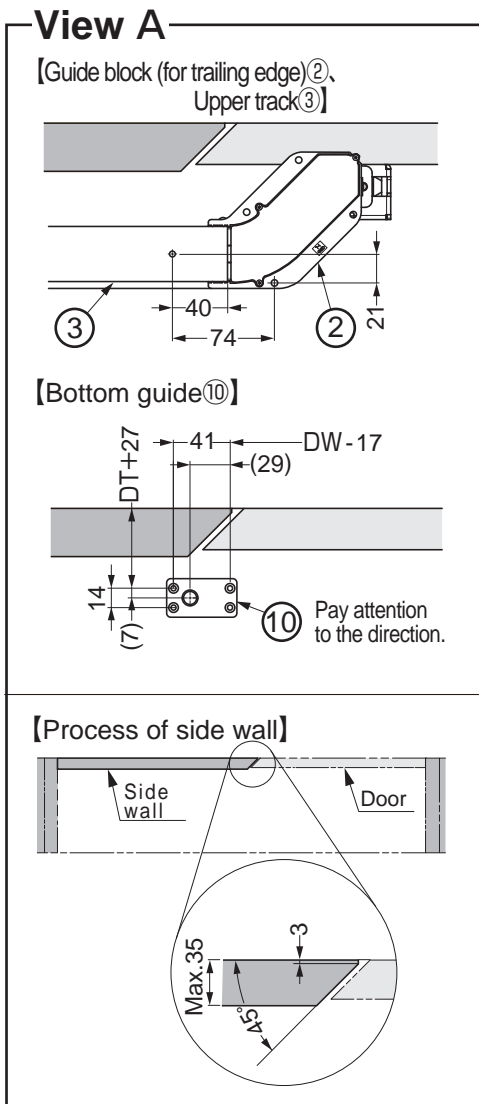
Size of cover panel on the reverse side of door: Width = 60, Length = Optional, Thickness = Optional

■ Tools

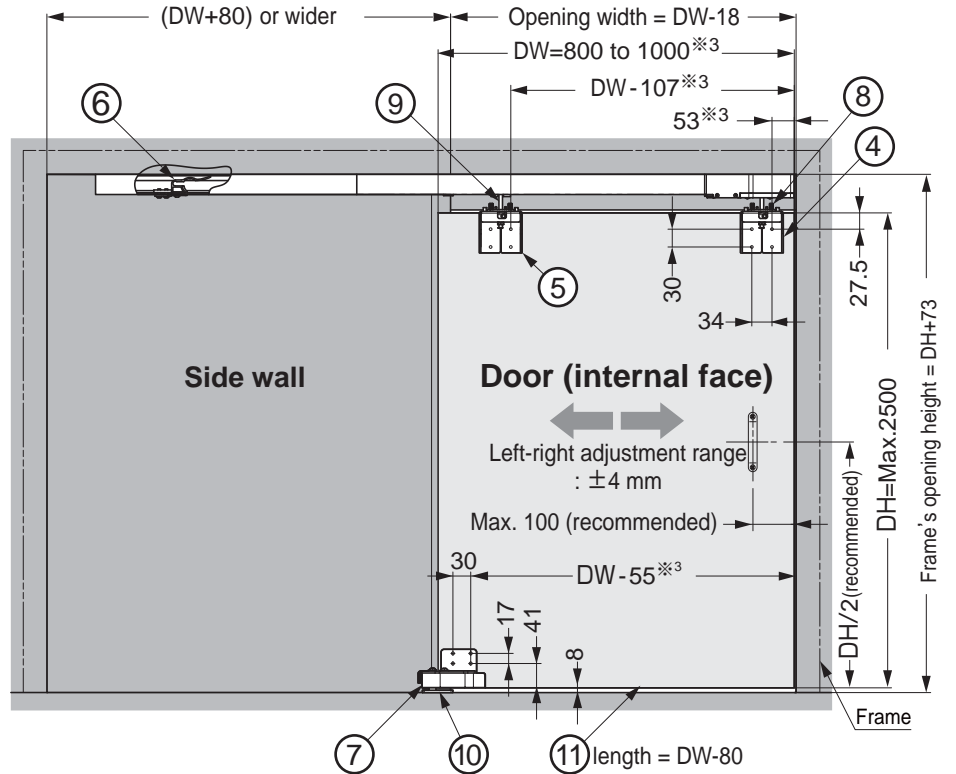
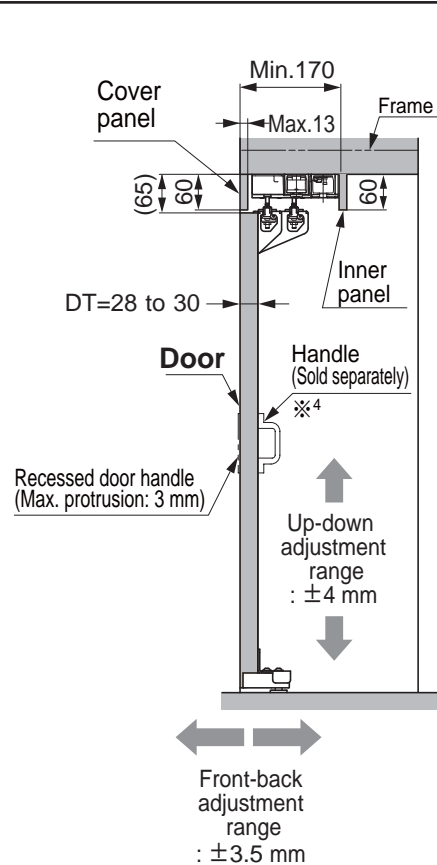
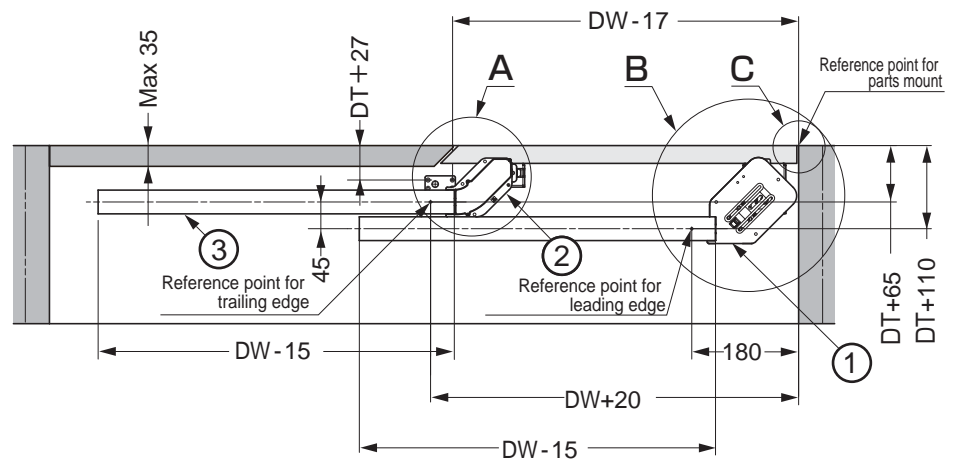
- Cross slot screwdriver No.2
- Spanner 10 mm
- Hex key 4 mm

INSTALLATION DRAWING (EXAMPLE)

This figure shows the left-handed opening type. The right-handed opening type is a mirror image thereof.



DW : Door width
 DH : Door Height
 DT : Door Thickness

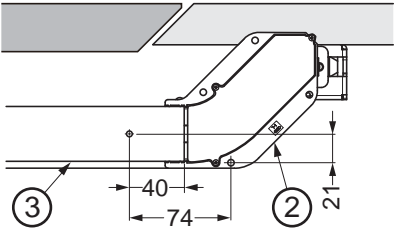


※³ Dimension from door edge (See page 6.)
 ※⁴ Handle is necessary for operation inside.

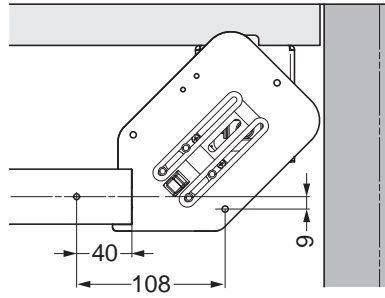
《Installation with Floor Mounted Guide Track》

View A

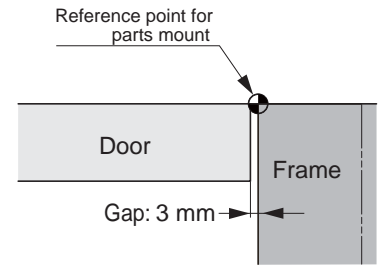
[Guide block (for trailing edge)②,
Upper track③]



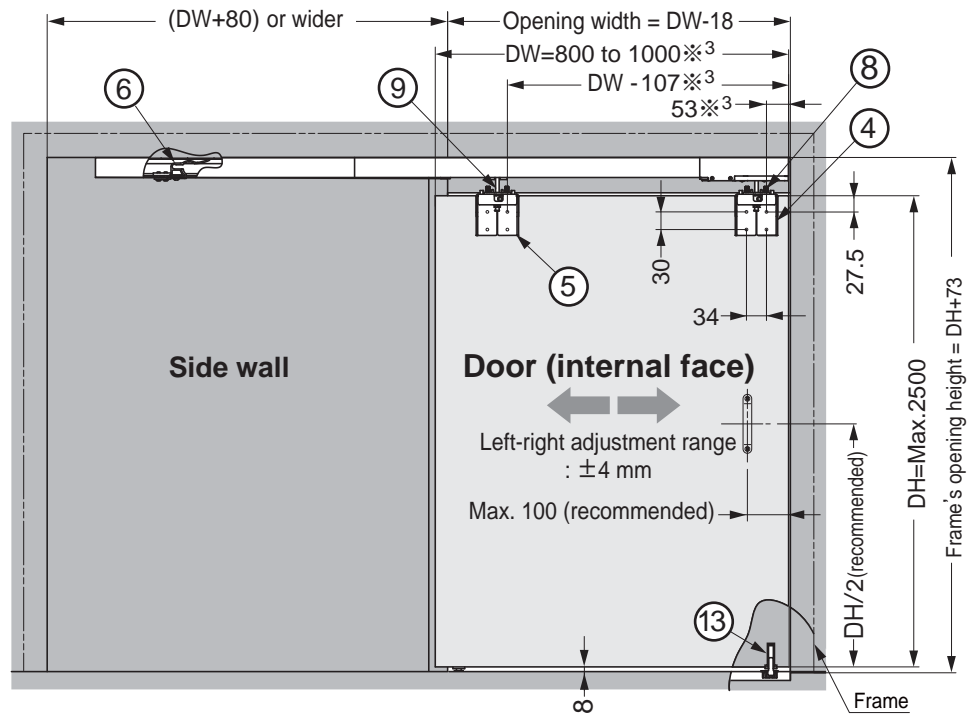
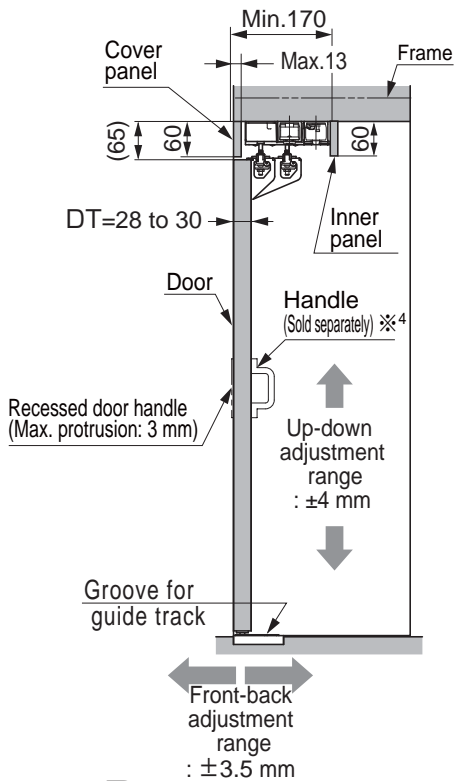
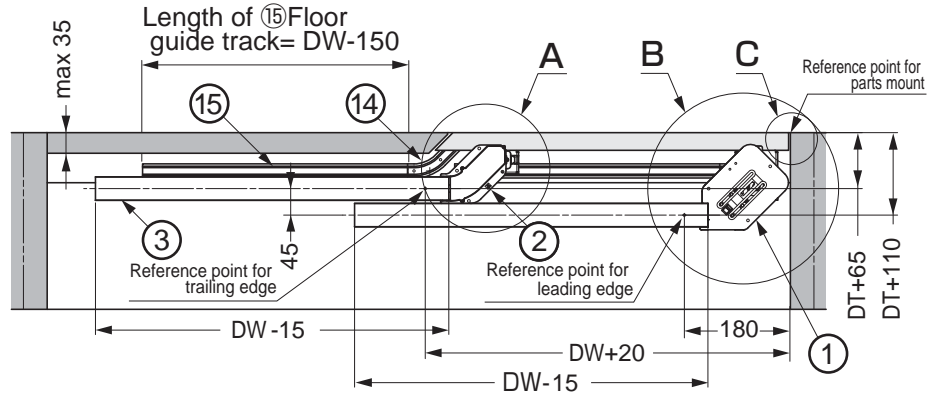
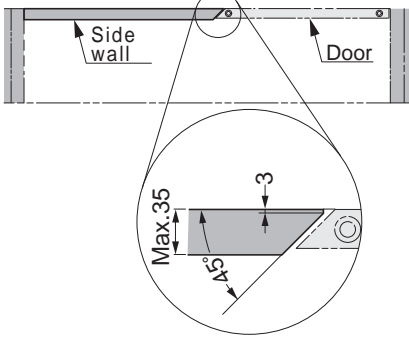
View B



View C

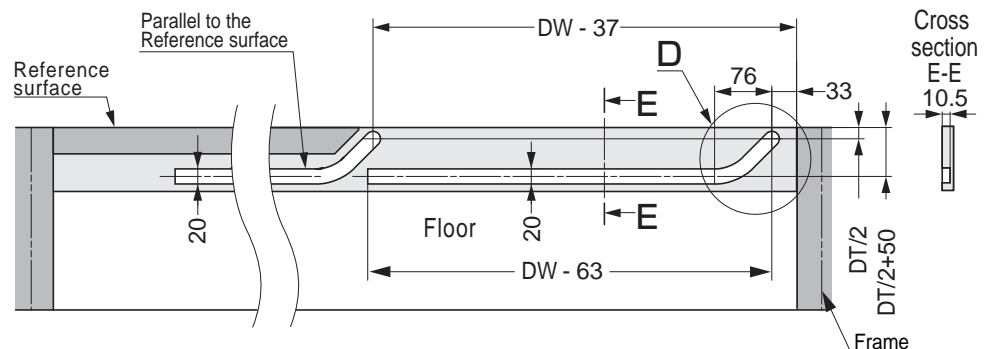
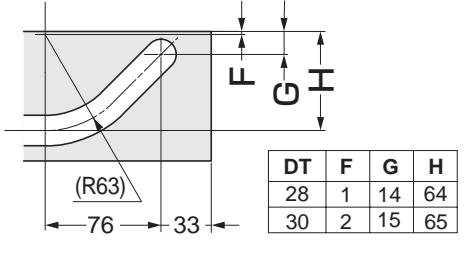


[Process of side wall]

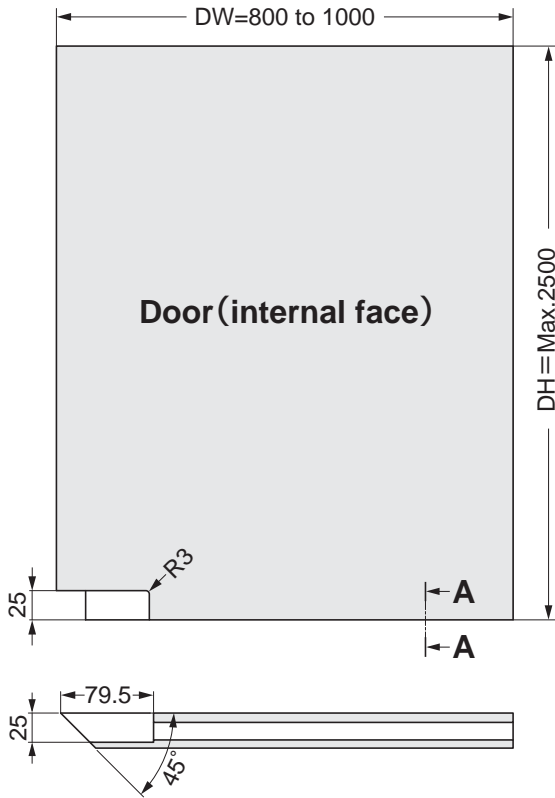


※³ Dimension from door edge (See page 6.)
 ※⁴ Handle is necessary for operation inside.

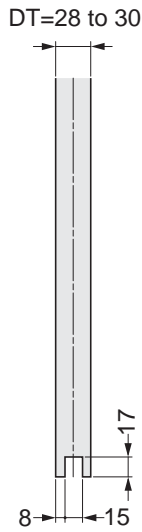
View D



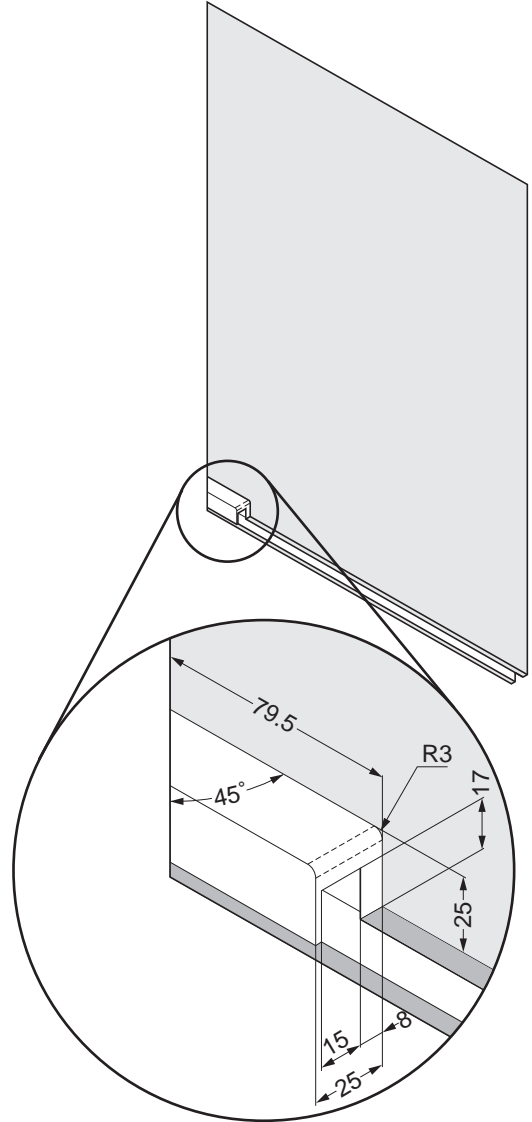
Door process dimension



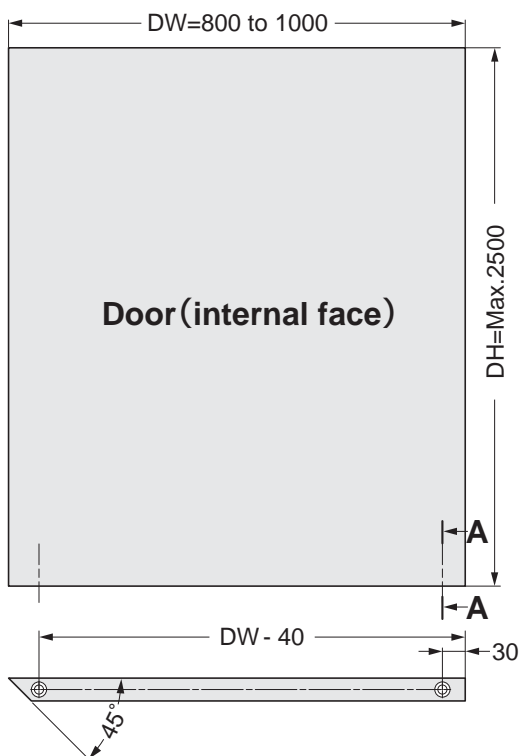
Cross section A-A



Perspective view of door



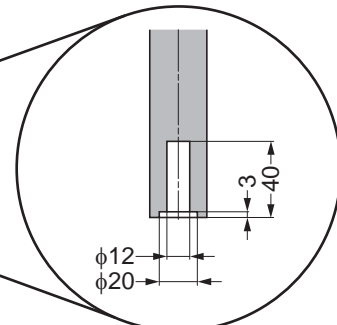
《 Door for floor mounted guide track 》



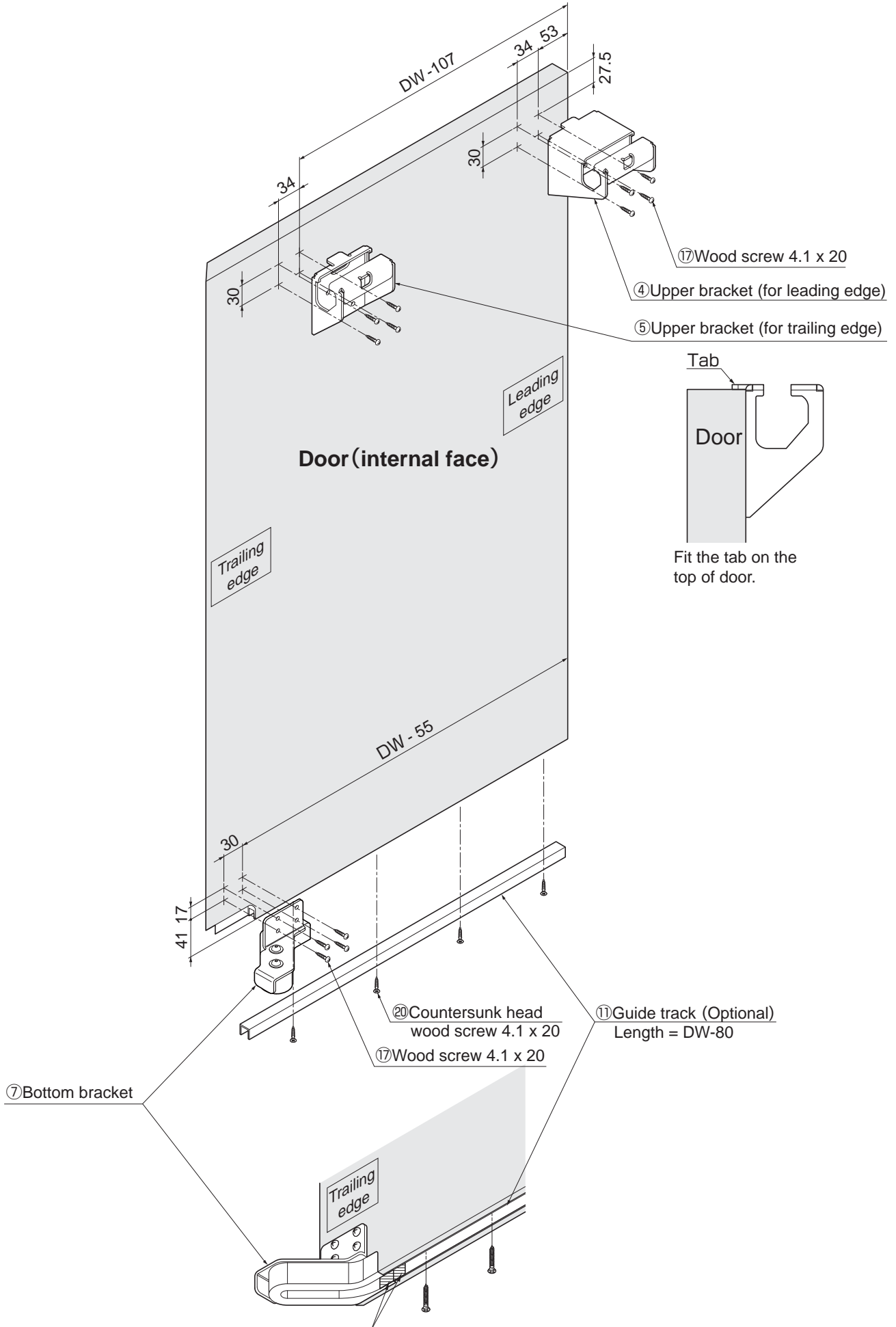
DT=28 to 30



Cross section A-A



PARTS ASSEMBLY ONTO DOOR

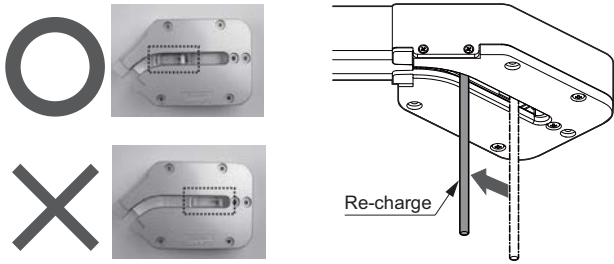


Be sure to align the joint part and couple with no gap.

Parts assembly

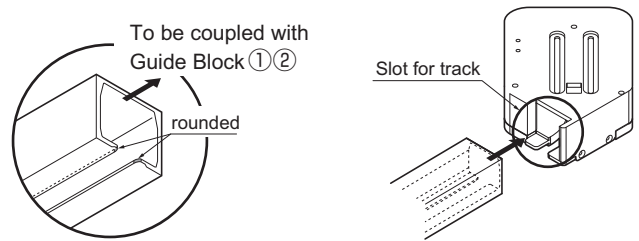
⚠ Caution

Before mounting, ensure that the trigger in the guide block is properly charged.
If not, the trigger needs to be re-charged with a screwdriver or similar.

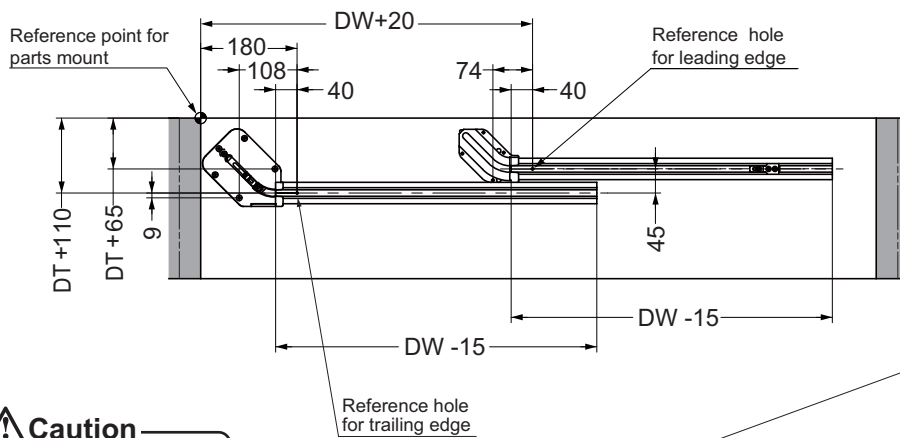


⚠ Caution

The rounded ends on the Upper tracks^③ must face towards the guide blocks^{①②}.
Be sure to assemble without a gap between the parts.



Arrow view A



⚠ Caution

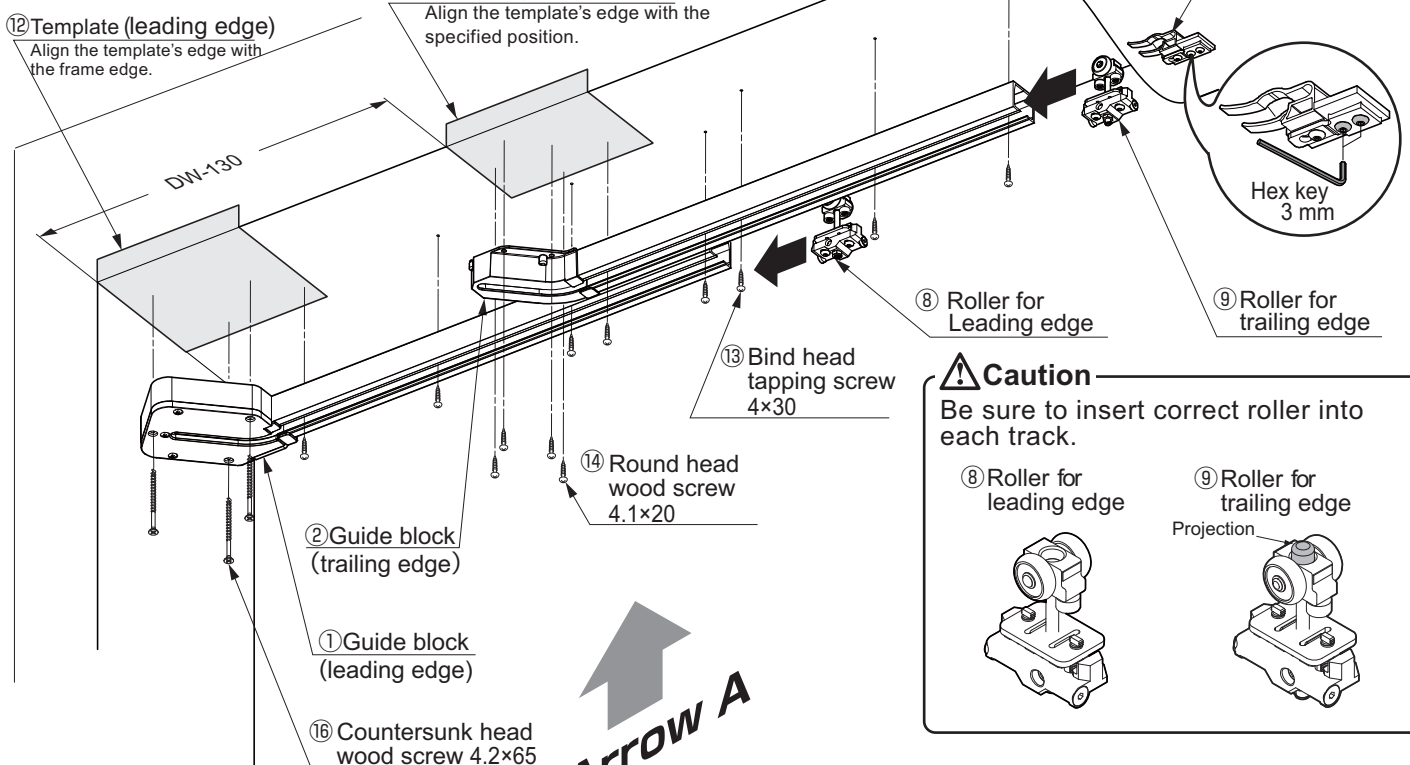
Be sure to assemble stopper^⑥ to the end of upper tracks^③.

⚠ Caution

Be sure to put the templates on the correct position.

⑫ Template (leading edge)
Align the template's edge with the frame edge.

⑫ Template (trailing edge)
Align the template's edge with the specified position.

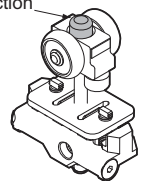
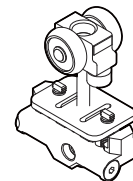


⚠ Caution

Be sure to insert correct roller into each track.

⑧ Roller for leading edge

⑨ Roller for trailing edge
Projection

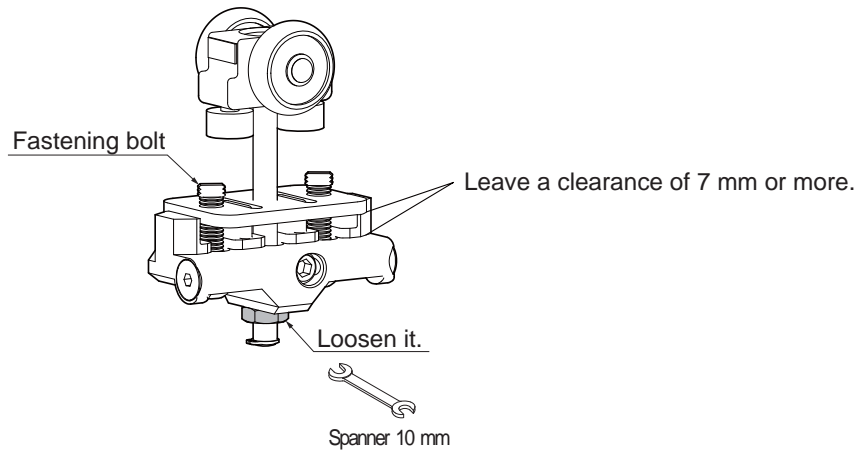


HANGING DOOR

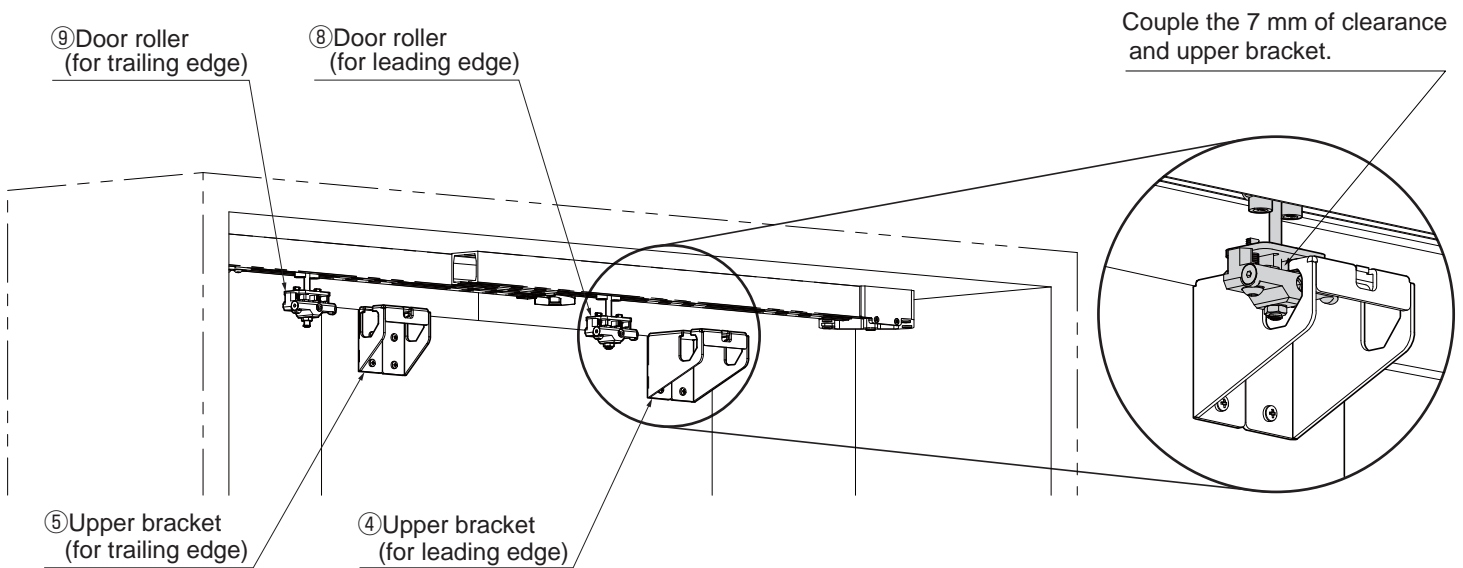
⚠ Caution

Do not overtighten the bolts. It might result in damage.

1 Set the door roller to the condition as shown in the right figure.

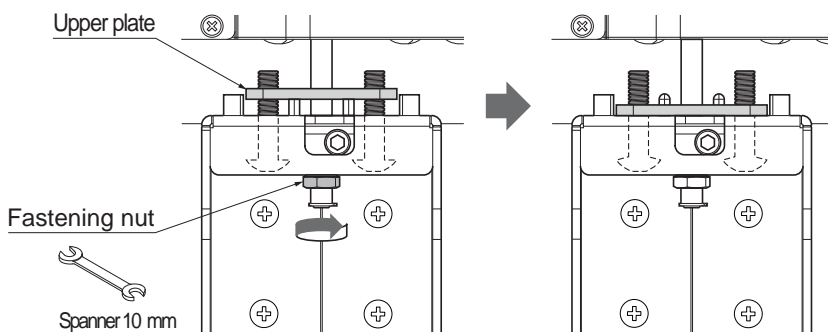


2 Slide the door rollers⑧⑨ into the upper brackets④⑤.

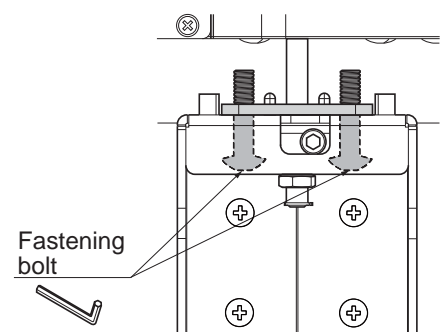


3

[1] Turn the fastening nut clockwise to move the upper plate to the position as shown in the figure below.

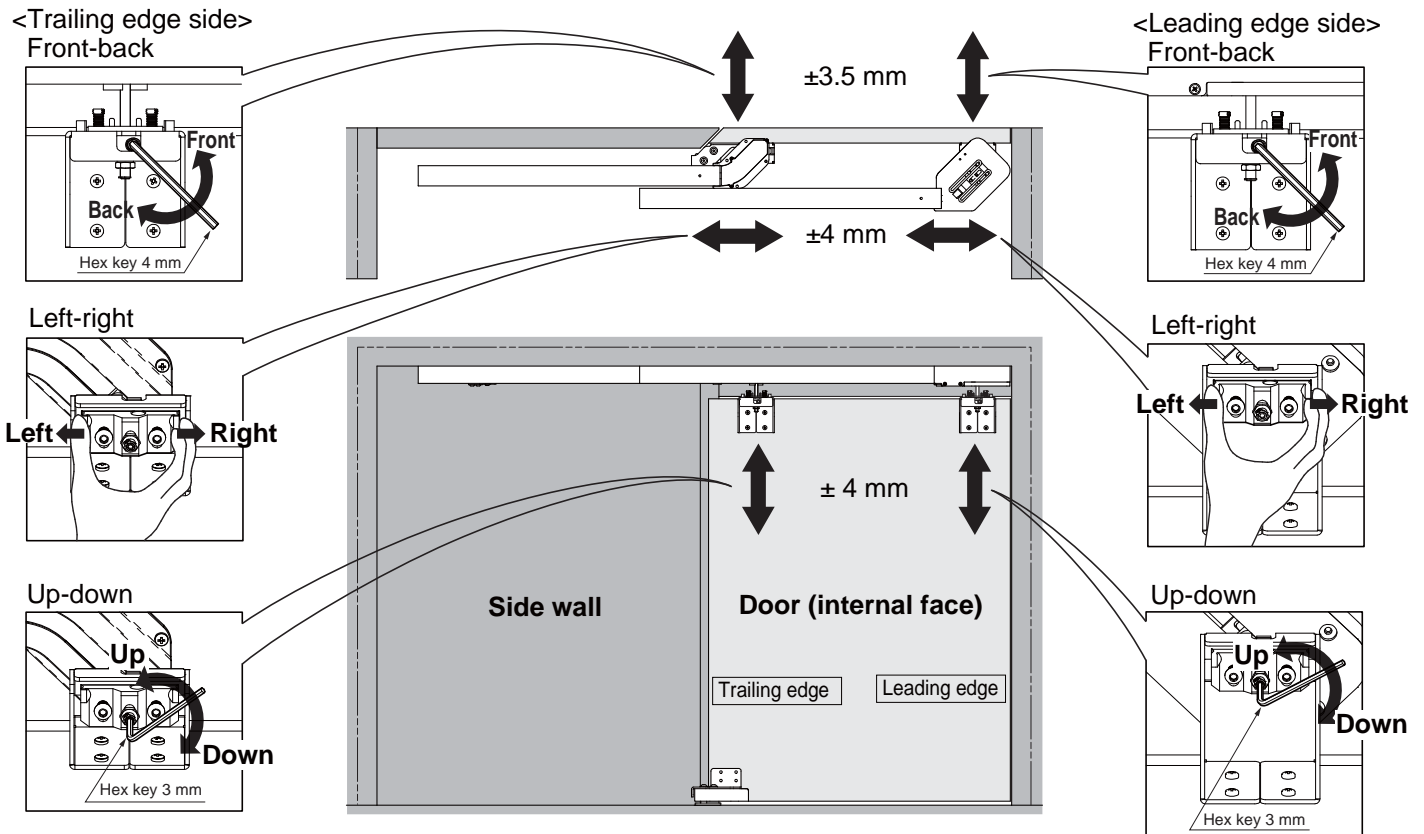


[2] Tighten the two fastening bolts lightly.



DOOR ADJUSTMENTS

Adjusting points and ranges



Caution

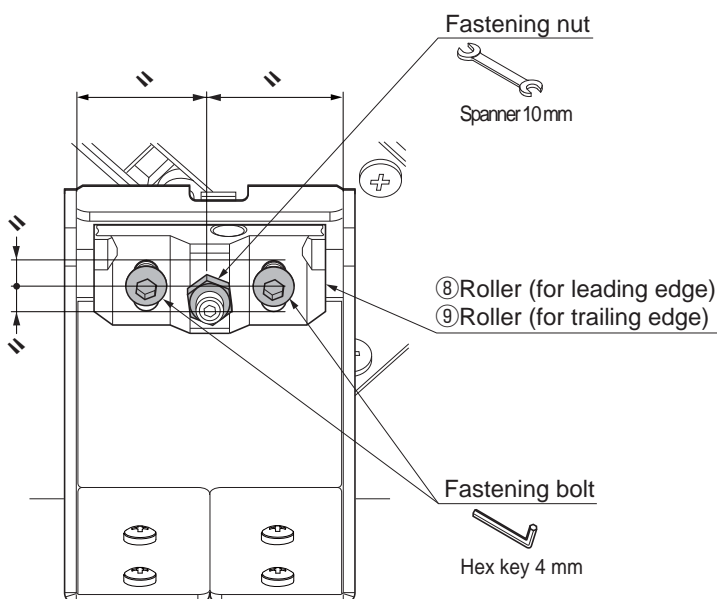
Be sure to make adjustments in the orders of following procedure.
Move door slowly so as not to go out of tune.

How to adjust

Adjustments need to be done from the inside of the cabinet.

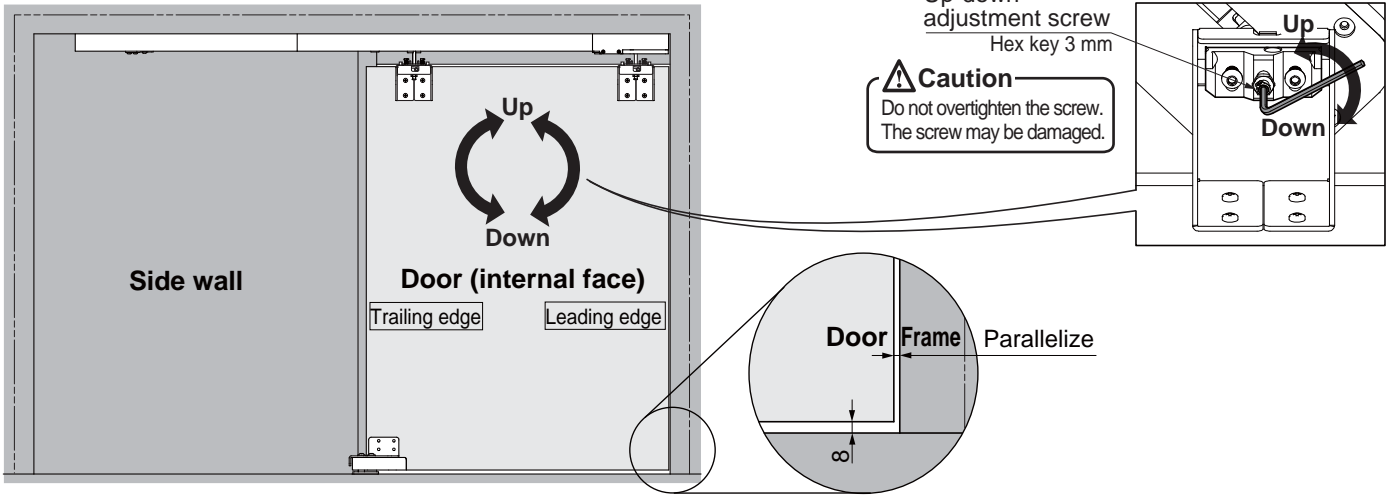
We recommend that the adjustment be made by two people, since the door position needs to be checked from outside.

1 Preparations for adjustments

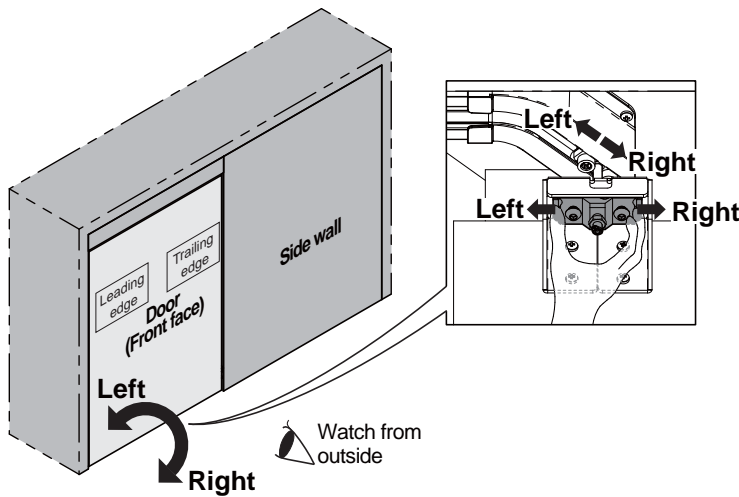


- [1] On both Door rollers, loosen two Fastening bolts and one fastening nut for approximately one turn each.
- [2] Position the Base part of trailing edge in the middle of its adjustment range (Left-right and Front-back). Then, fasten the bolts and nut temporarily. Do the same work on the base part of leading edge.
- [3] Observe the door from outside and check how much adjustment is required.
- [4] On both door rollers, loosen two fastening bolts and one fastening nut for approximately one turn each.

2 Up-down adjustment (Vertical positioning in the same time)

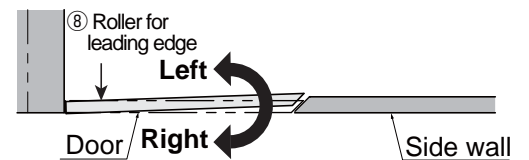


3 Left-right adjustment (Making door parallel to side wall, and eliminating contact with adjacent parts)



1 Start from the trailing edge roller ⑨.

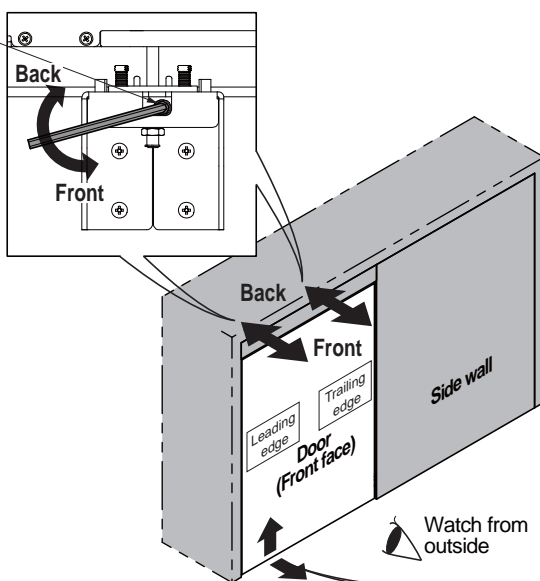
Note that the door will not move left nor right but rotate around the roller for leading edge ⑧ when you adjust the roller for trailing edge ⑨.



2 If you cannot make door parallel to side wall completely, adjust the roller for leading edge ⑧.

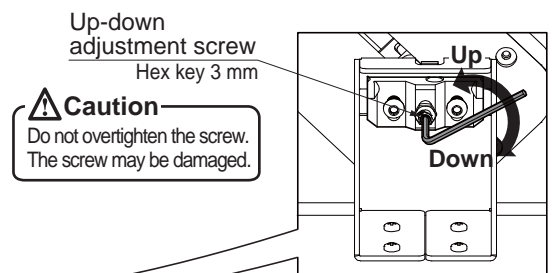
4 Front-back adjustment (Making door upright)

Front-back adjustment screw
Hex key 4 mm



1 Start from the trailing edge roller ⑨.

2 If the door bottom inclines inside, raise the door at leading edge with up-down adjustment screw.

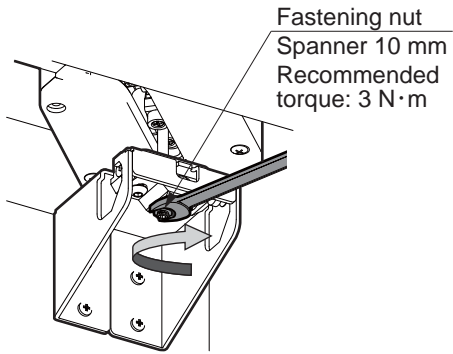


5 If the door is still not parallel with the side wall, go back to procedure **1** and try again.

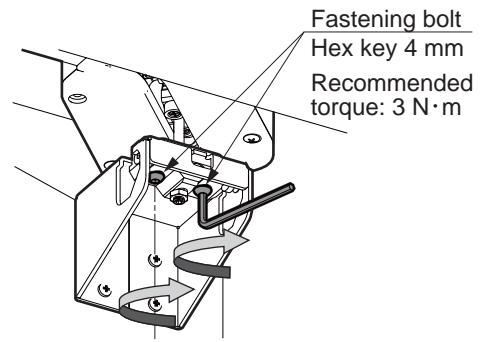
6 Tighten the nuts and bolts in the following order.

Caution
Failure to follow the proper order may result in lose of adjustment.

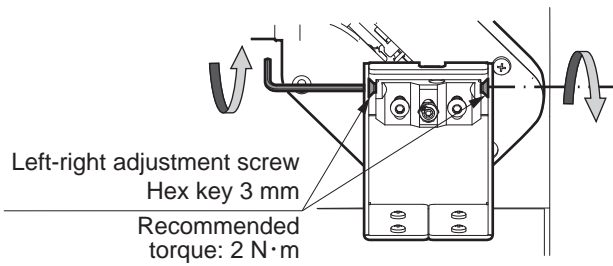
1 Tighten the center nut on the roller of stop-end ⑧.



2 Tighten the two bolts.





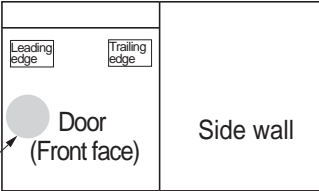
3 Press the heads of left-right adjustment screws to Upper bracket.



4 Tighten the nuts and bolts on the roller for trailing edge ⑨ in the same order.

7 Check the movement of door, then check all fastening screws for looseness.

TROUBLESHOOTING

No.	Trouble	Checkpoint	Solution
1	Door does not close properly.	Check if the trigger in the guide block① is properly charged. 	Re-charge the trigger with a screwdriver or similar. 
		Check if the two upper brackets ④⑤ are mounted in reverse positions.	See page 7 and re-mount them correctly.
		Check if the door weight is rather light and operating point is lower.	If the door is light, operate leading edge in the middle height. 
		Check if there are dust or chips in upper brackets ④⑤, and upper track ③.	Clean them up.
		Check if there's a misalignment or gap between guide block ①② and upper track ③.	Correct the misalignment or gap.
		Check if there's a misalignment or gap between bottom bracket ⑦ and guide track ⑩.	Correct the misalignment or gap.
		Check if door bottom contacts with floor.	Adjust the vertical position of door. (See page 10.)
		Check if door is warped.	Use a door without warp.
		Check if the room where the track installed is a closed chamber.	Install a ventilator to relieve the air.
2	Abnormal noise during operation	Check if there are dust or chips in upper brackets ④⑤, and upper track ③.	Clean them up.
		Check door rollers ⑧⑨ for aluminum dust.	
		Check if there's a misalignment or gap between guide block ①② and upper track ③.	Correct the misalignment or gap.
		Check if there's a misalignment or gap between bottom bracket ⑦ and guide track ⑩.	Correct the misalignment or gap.
		Check if door bottom contacts with floor.	Adjust the vertical position of door. (See page 10.)
		Check if door is warped.	Use a door without warp.
3	Door rattles.	Check fastening screws for looseness.	Retighten the screws.
4	Door starts to move.	Check upper track ③ and guide block ①② for horizontalness.	Correct them horizontally.
		Check if stopper ⑥ is installed.	Install stopper ⑥.

SUGATSUNE KOGYO CO.,LTD
Tokyo, JAPAN
Phone: +81 (0)3 3866 2260 E-mail:export@sugatsune.co.jp

SUGATSUNE KOGYO (UK) LTD
Reading, UK
Phone: +44 118 9272 955 E-mail:sales@sugatsune.co.uk

SUGATSUNE EUROPE GmbH
Düsseldorf, GERMANY
Phone: +49 211 53812900 E-mail:sales@sugatsune.eu

ISO9001(Japan Offices and Sugatsune America) and ISO14001(Chiba Production division and Logistics center), certified.

SUGATSUNE SHANGHAI Co., LTD
Shanghai, CHINA
Phone: +86 21 3632 1858 E-mail:lamp@sugatsune.com.cn

Guangzhou, CHINA
Phone: +86 20 6639 3552 E-mail:lamp@sugatsune.com.cn

SUGATSUNE KOGYO INDIA PRIVATE LIMITED
Mumbai, INDIA
Phone: +91 22 28314490/91 E-mail:sales@sugatsune.in

SUGATSUNE AMERICA, INC
California, USA
Phone: +1 310 329 6373 E-mail:sales@sugatsune.com
Chicago, USA
Phone: +1 312 461 1081 E-mail:chicagoshowroom@sugatsune.com.

SUGATSUNE CANADA, INC.
Phone: +1 514 312 5267 E-mail:support@sugatsune.ca

2018.04 0596-5