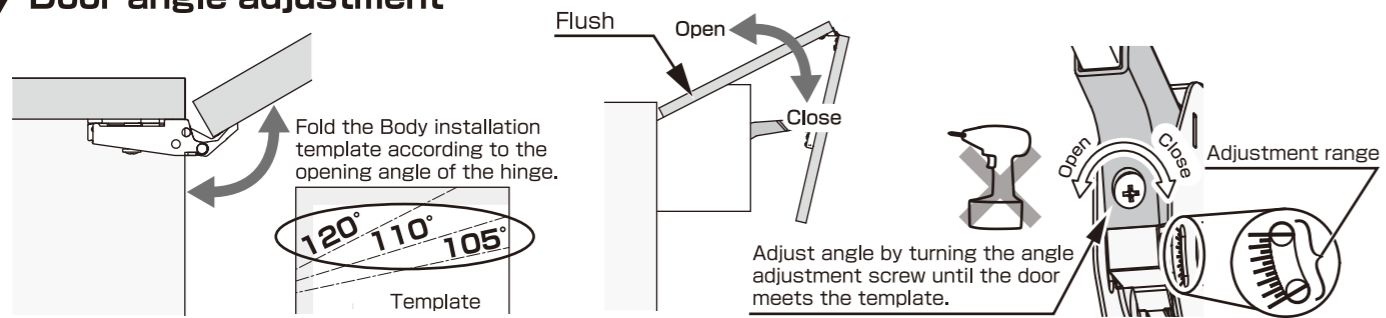


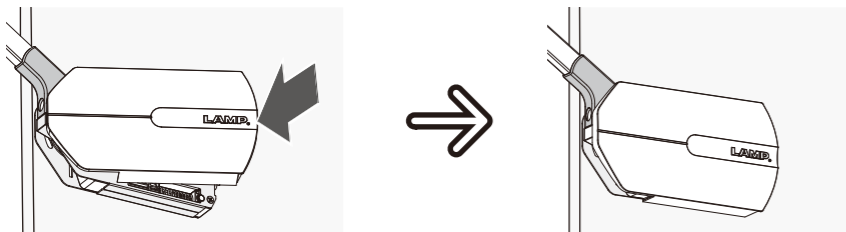
7 Door angle adjustment



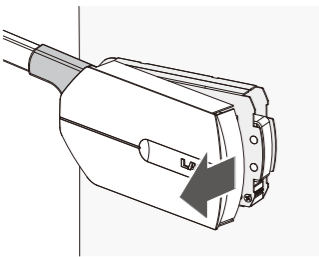
- △ Always adjust the left & right opening angle simultaneously.
- △ Do not exceed the adjustment range as it will cause damage to the product.

Check the movement by opening and closing the door after all the adjustments.

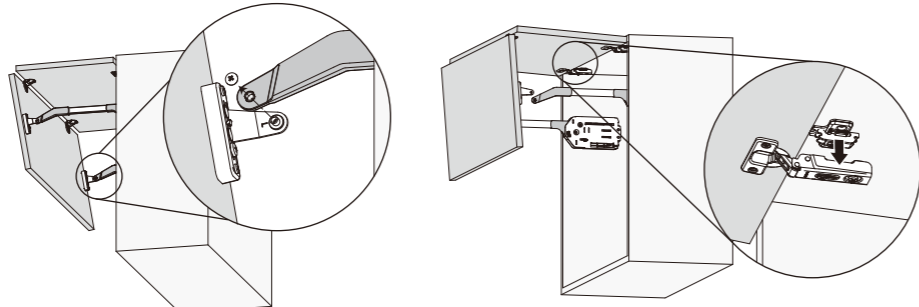
8 Cover installation



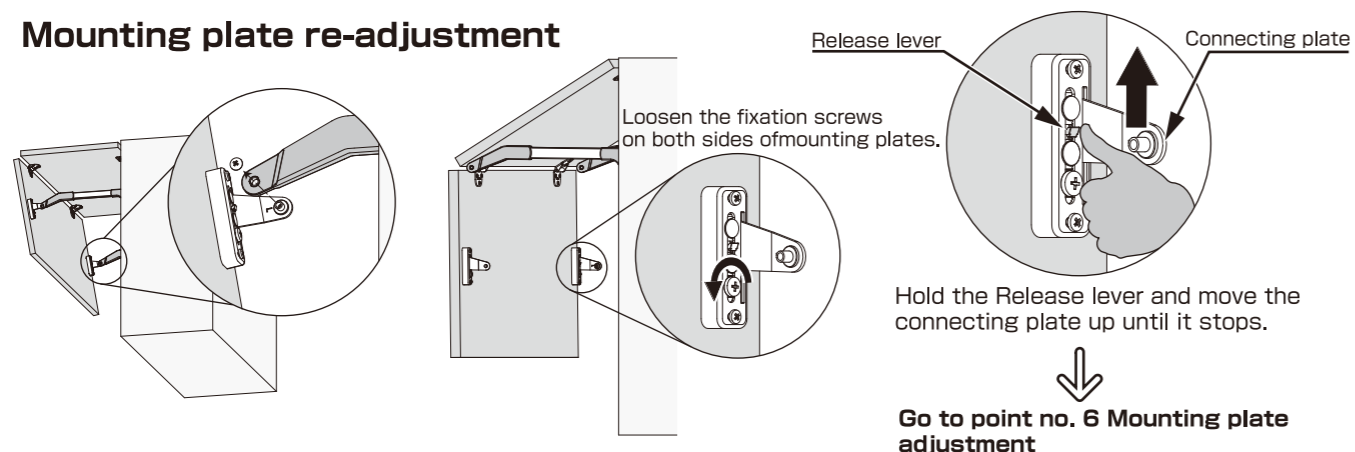
Cover removal



Door removal



Mounting plate re-adjustment



SUGATSUNE KOGYO CO.,LTD.
Phone: +81 3 3866 2260
F a x : +81 3 3866 4447
E-mail: export@sugatsune.co.jp
Website: www.sugatsune-intl.com

SUGATSUNE KOGYO (UK) LTD.
Phone: +44 118 9272 955
F a x : +44 118 9272 871
E-mail: sales@sugatsune.co.uk
Website: www.sugatsune.co.uk

SUGATSUNE AMERICA, INC.
Phone: +1 310 329 6373
F a x : +1 310 329 0819
E-mail: sales@sugatsune.com
Website: www.sugatsune.com

SUGATSUNE SHANGHAI CO., LTD.
Phone: +86 21 3632 1858
F a x : +86 21 3632 1868
E-mail: lamp@sugatsune.com.cn
Website: www.sugatsune.com.cn

ISO9001(Japan Offices and Sugatsune America) and ISO14001(Chiba Production division and Logistics center), certified.

2014.05 PRINTED IN CHINA 0622-2

LAMP

HBF-ELAN PAT.P Installation instructions

Dear Customer:

HBF-ELAN stay was designed and manufactured with Sugatsune's utmost care in order to give you a high performance and smooth operation on a long-term basis. We ask you to follow these instructions for best possible results and carefree use throughout its lifetime.

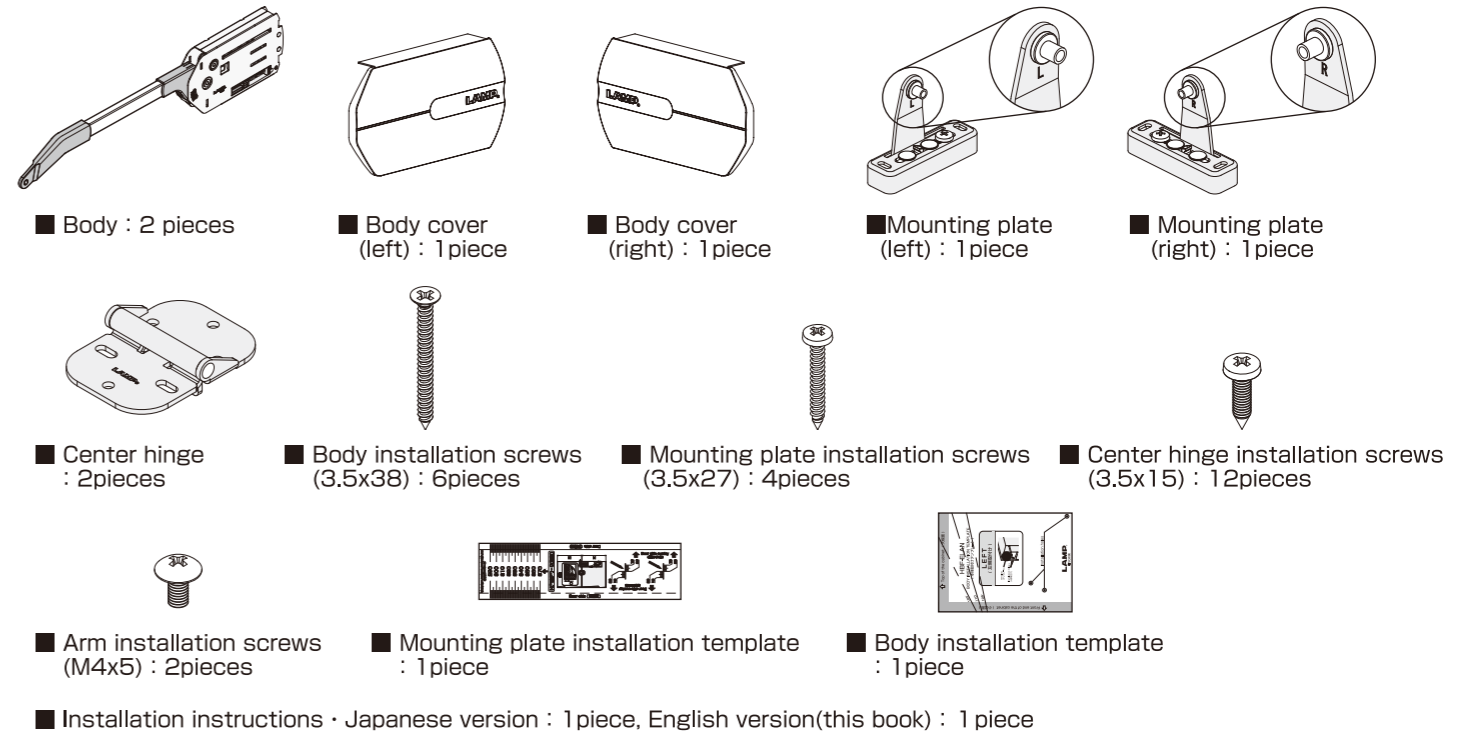
Safety recommendations:

- Sugatsune recommends for the installation to be made by a professional carpenter or installer.
- HBF-ELAN stay contains some very strong springs: for your own safety, do not fold the arm before it is securely attached to the door. Failure to observe this advice may lead to bodily injury.
- Do not disassemble the arm or body of the stay.
- Please use this stay only within the specifications shown in this manual.
- Standard temperature of use is 0 to 40°C.

Warranty

- HBF-ELAN stay was produced with a particular attention to its quality. Should you however experience any difficulty, please refer to your local supplier or Sugatsune Export Department (export@sugatsune.co.jp).
- The liability of Sugatsune is limited to the replacement or repair of the stay itself. Sugatsune cannot accept any liability for damage incurred while using this stay.
- Standard warranty is for one-year period from the date of shipment.

Parts list



Specifications

· HBF-ELAN specifications applicable are in the list below. The application range is for information purpose only. We recommend that all installations be tested thoroughly.

■ Door size

Door weight (/door)	2.5~6.5 kg
Door height (/door)	320~370mm
Door width	MAX 1200mm

※ Minimum cabinet inside height is 600mm.

※ The size of 2 doors should be same.

■ Top door hinge(sold separately)specifications

Opening angle	Overlay	Type
105°	5~19mm	Free swinging
110°		
120°		

■ Number of top door hinges required

Door weight (/door)	Door width	
	~900mm	901~1200mm
2.5~5.5 kg	2pieces	3pieces
5.6~6.5 kg	3pieces	3pieces

■ HBF-ELAN specifications

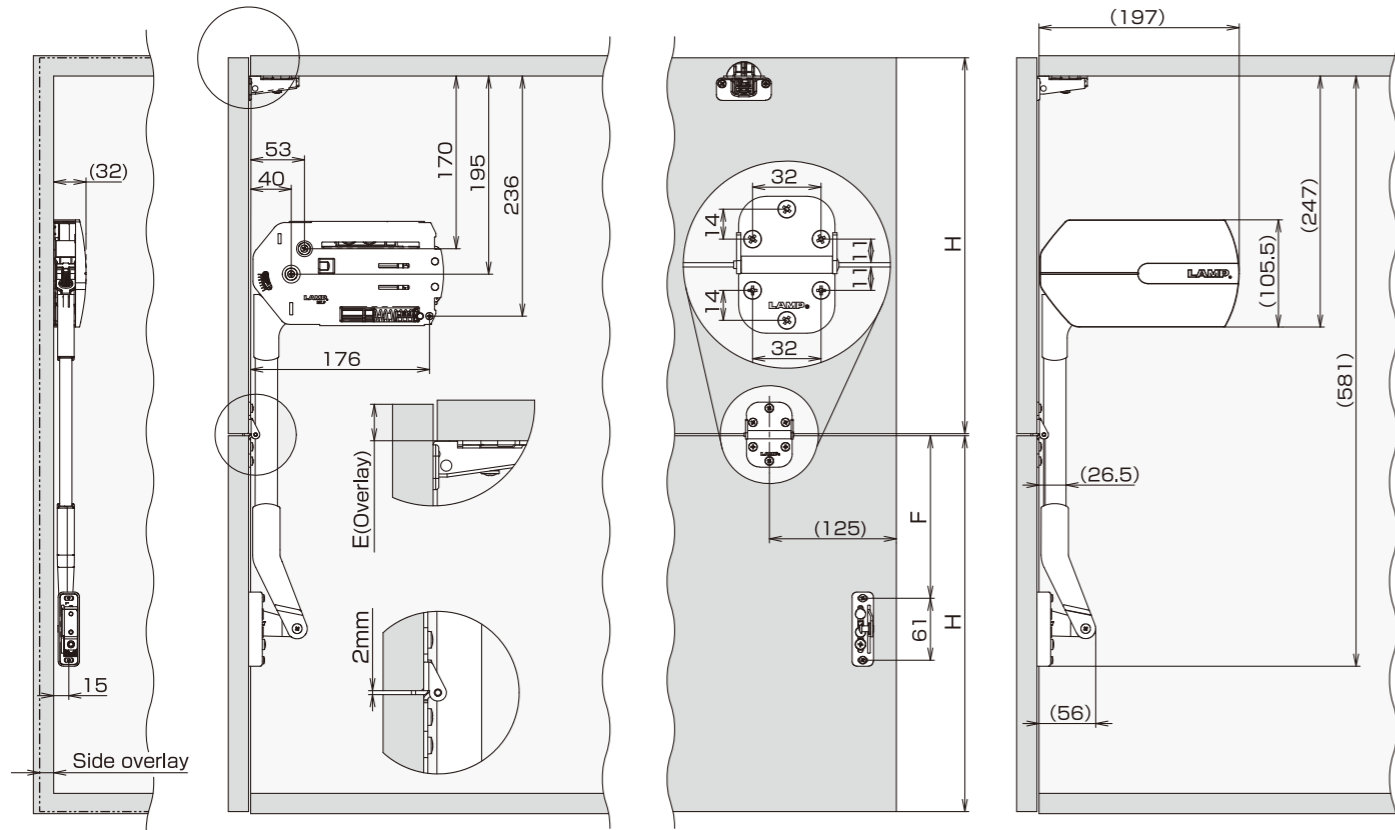
Door weight (/door)	Item No.
2.5~3.3 kg	HBF-ELAN-LL
3.3~4.1 kg	HBF-ELAN-ML
4.1~4.9 kg	HBF-ELAN-MM
4.9~5.7 kg	HBF-ELAN-HM
5.7~6.5 kg	HBF-ELAN-HH

※ Select the Door weight range applicable on the list above.

※ Range applicable for a pair of HBF-ELAN.

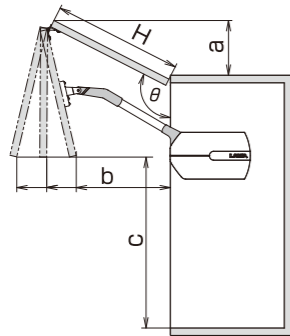
※ Weight of the door should include the handle.

Installation drawing



$$F = 512 + E(\text{Overlay}) - H(\text{Door height})$$

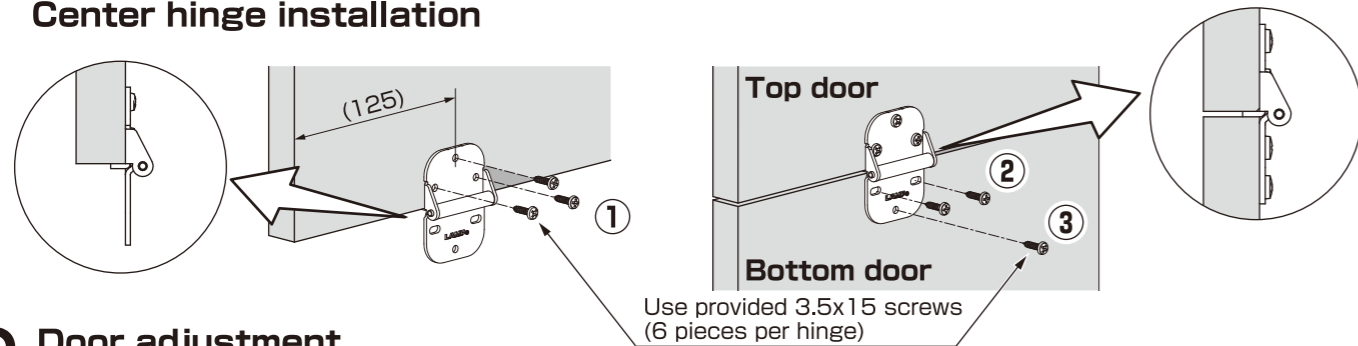
Opening dimension



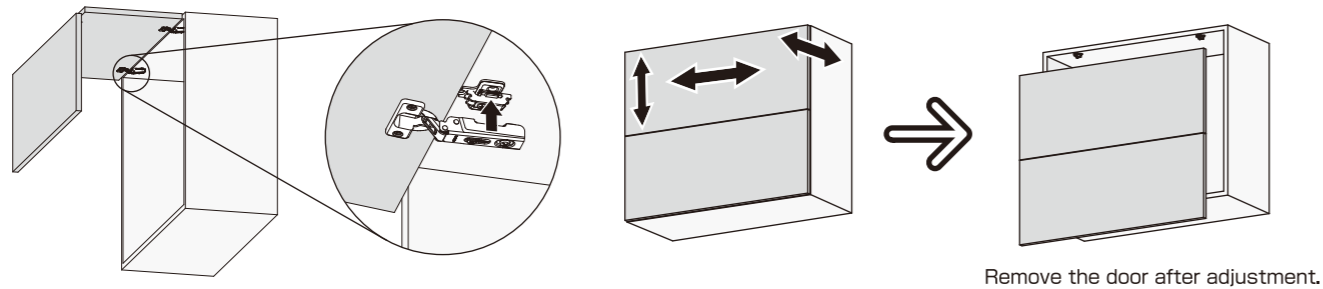
θ: Top door hinge opening angle	H: Door height (mm)								
	320			350			370		
	a	b	c	a	b	c	a	b	c
105°	58	364	341	65	348	373	69	314	399
110°	85	364	369	93	344	402	99	303	431
120°	134	359	424	148	330	459	157	270	492

Installation

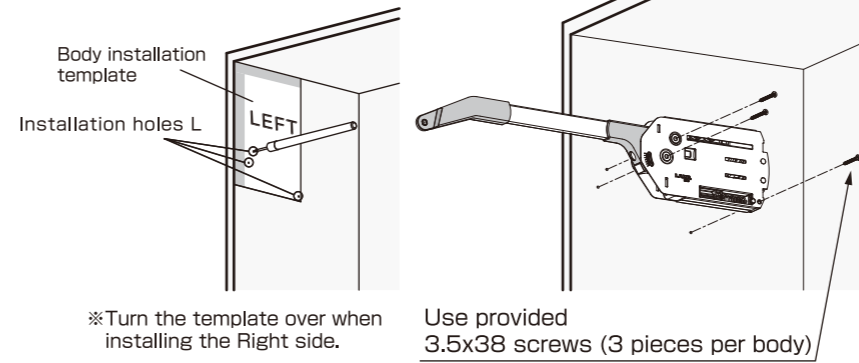
1 Center hinge installation



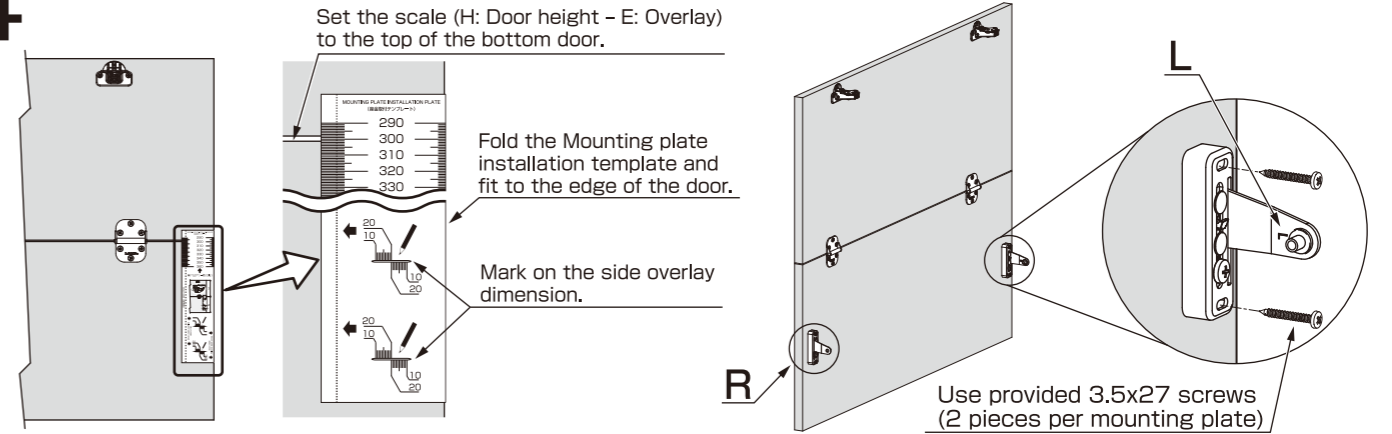
2 Door adjustment



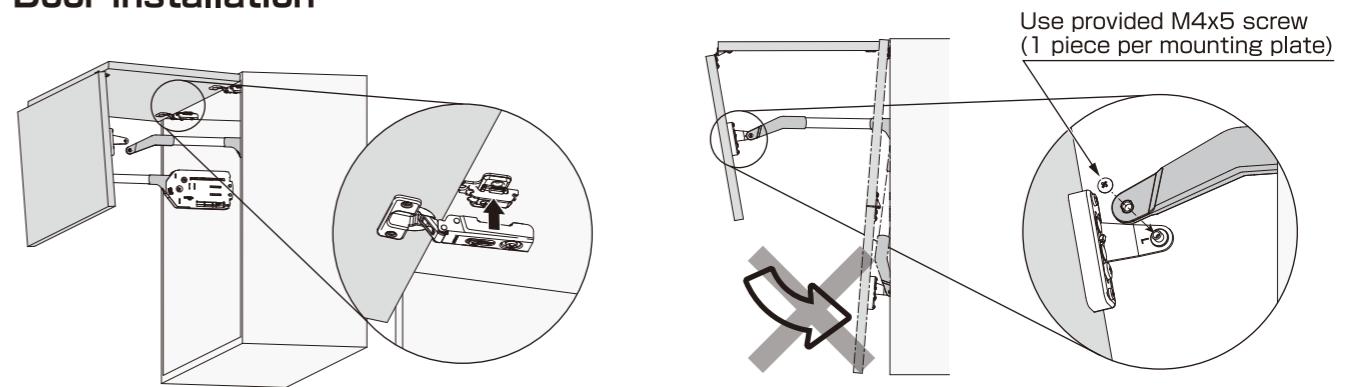
3 Body installation



4 Mounting plate installation

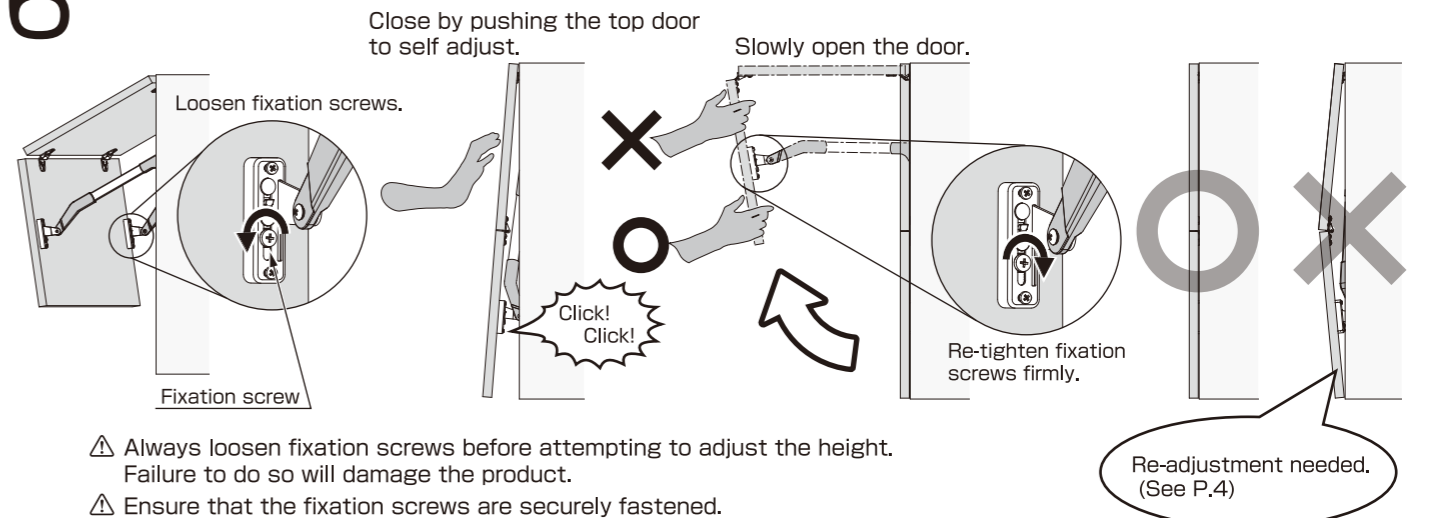


5 Door installation



- △ Ensure the top door hinges are securely installed so that the door will not drop.
- △ Ensure that all the screws are securely fastened.

6 Mounting plate adjustment



- △ Always loosen fixation screws before attempting to adjust the height. Failure to do so will damage the product.
- △ Ensure that the fixation screws are securely fastened.