

# Installation Manual

## FD30-H SLIDING DOOR SYSTEM

**LAMP**<sup>®</sup>

### Recessed Mount Roller

Part No. FD30HHP

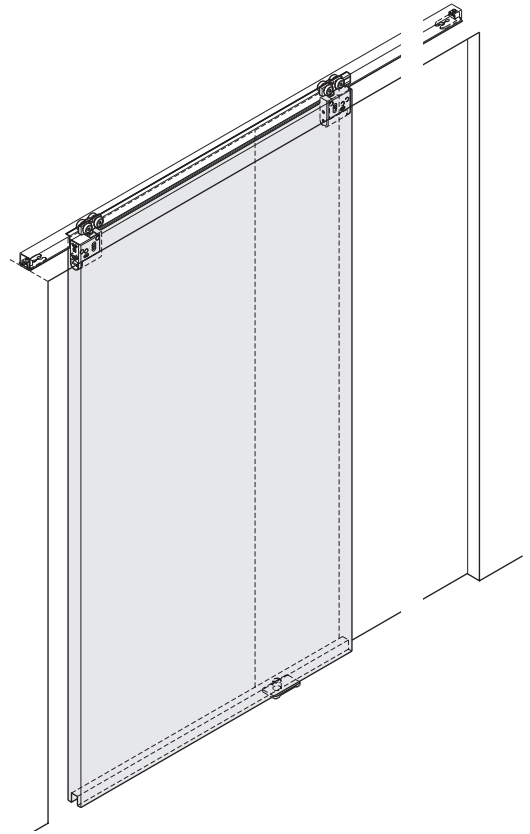
Thank you for selecting our product. Before installation, please read this manual thoroughly to ensure correct installation. Please keep this manual at hand for future reference.

### ABOUT THE PRODUCT

- This product is parts set for sliding door system for indoor use.
- Easy door installation and adjustment.

### SPECIFICATIONS

Max. Door width	1000 mm
Max. Door height	2400 mm
Min. Door thickness	24 mm
Max. Door weight	30 kg/door
Vertical adjustment	± 4 mm
Depth adjustment	± 2 mm



### FOR YOUR SAFETY AND CORRECT INSTALLATION

#### Meaning of symbols

 <b>Warning</b> Caution	 <b>Prohibited</b>	 <b>Required</b>
---	---	---

#### **WARNING: If not followed, death or serious injury may result.**

- ❗ This product should be installed by a qualified person in accordance with this manual. If it is not installed correctly, the door may fall and cause injury.
- ❗ Provide a frame that can withstand the weight and impact of opening and closing the door. Be sure to use the specified screws and tighten them securely. If the mounting strength is insufficient, the door may fall and cause injury.
- ⊘ Do not use this product for any other purpose, or with doors that are outside the specifications of this manual.
- ⊘ Do not disassemble or modify any parts other than those described in this document.

#### **Caution: If not followed injury or damage may result.**

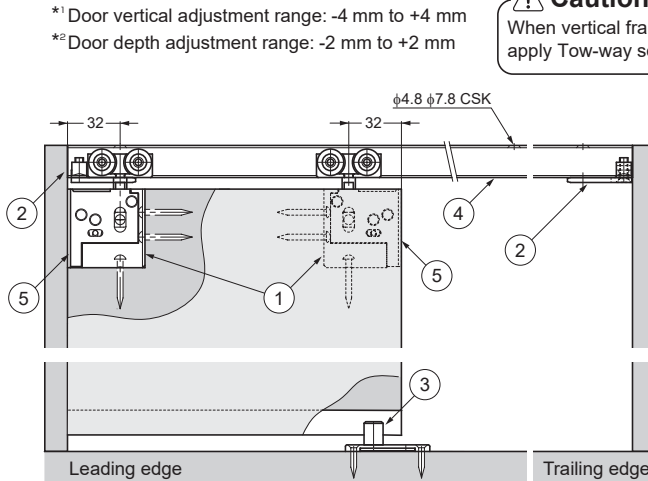
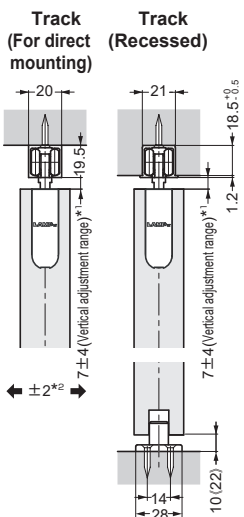
- ❗ Follow the specified dimensions, specifications, and alignment of the door and frame. Warping, tilting or twisting of the frame or door may cause failure.
- ❗ If cutting any parts, make sure to remove any burrs before installation. Also check the upper track for any left-over burrs or scraps and remove these.
- ❗ This product is a part for architectural fittings. After installation, please check the function and safety of the final product. Please inform the end user how to use the product safely.
- ❗ Make sure to check the screws for slack at regular intervals (one month from first usage, half a year, and then one time every year is recommended).

# COMPONENT PARTS

No.	①	②	③	④		⑤
Name	Upper roller (recessed)	Door catcher	Floor guide (with roller)	Upper track (Surface mount)	Upper track (Recessed mount)	Cover cap
Item No.	FD30-WRH	FD30-HTST	FD30-HBG	FD30-TRM	FD30-TRH	FD-30WRH-CP
Item	 Accessory screw: Pan head tapping screw 3.5×30 ..... 3pcs		 Accessory screw: Countersunk head tapping screw 3.5×30 ..... 4pcs			
				910/4000 mm Hole pitch :300 mm Pitch end :30 mm recommended screw : Countersunk head tapping screw 3.5×20		
Single sliding	2pcs	2pcs	1pc	Use 1 (surface mount or recessed)		2pcs
Double sliding	4pcs	4pcs	2pcs	Use 2 (surface mount or recessed)		4pcs
In line sliding	4pcs	4pcs	2pcs	Use 2 (surface mount or recessed)		4pcs

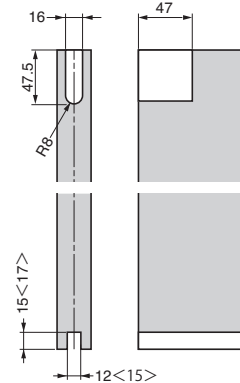
OPTIONAL PARTS	No.	⑥	⑦
	Name	Embedded lower guide rail	Floor Guide (long shaft)
	Item No.	FD-30HBR1500SIL	FD30-HBGH
	Item		 Accessory screw: Countersunk head tapping screw 3.5×30 ..... 4pcs (Stainless steel)

# INSTALLATION DRAWING (EXAMPLE)



**Caution**  
 When vertical frame is not used, apply Tow-way soft closer.

### Door process dimension



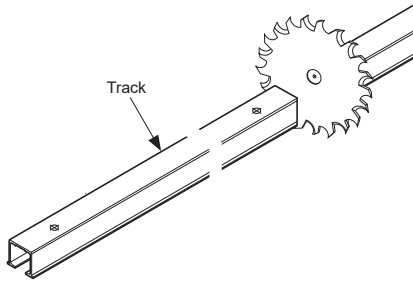
Dimension in <>: When recessed guide track⑥ under door (option) is used.  
 ( ): When long shaft floor guide⑦(option) is used.

## 1 Preparation and Installation

### 1. Cutting track

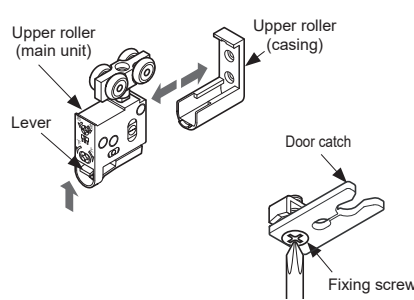
Cut the track to required length to meet the opening.

⚠ When cutting, use reinforcer for the track to prevent deformation at cut section.



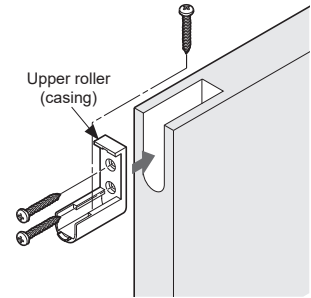
### 2. Preparation of mounting parts

Pull up lever to separate main unit from casing. Loosen fixing screw on Door catch.



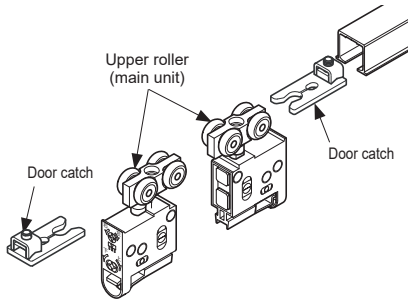
### 3. Installing casing

Firmly insert upper roller casing into the place as shown, fix it with attached screws.



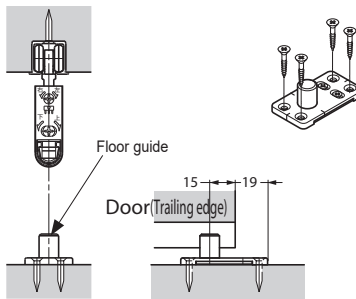
### 4. Assembly of parts

Assemble parts, in order of Door catch, Upper roller, and Door catch, taking care for part direction.



### 5. Floor guide

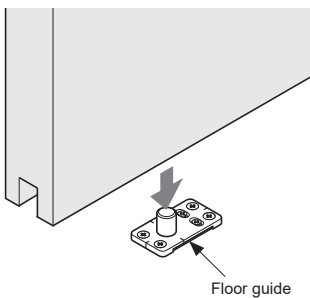
Install the floor guide so that it remains between the leading and trailing edges of the door when it is opened or closed.



## 2 Hanging Door and Adjustment

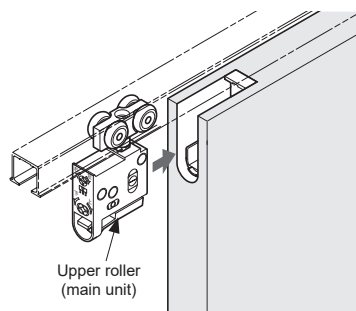
### 1. Door installation (bottom)

Put 10 mm support under the door. Insert the floor guide in the groove, and then hang the door.



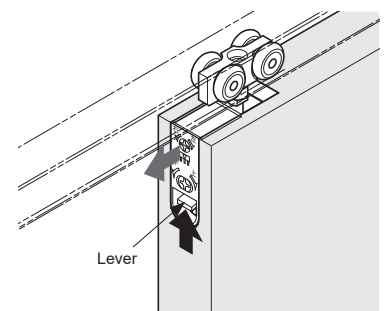
### 2. Fixing door (Door upper)

Insert upper roller main unit into the casing installed on door until a "click" sound is heard. ⚠ Ensure that roller main unit is securely attached to the casing.



### When removing the door

Use a 10 mm support under the door. Then pull out the upper roller main unit from the door while raising the lever.

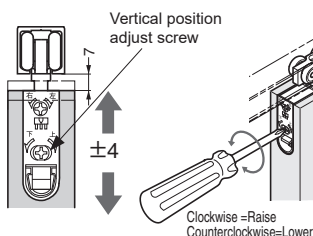


### 3. Door adjustment

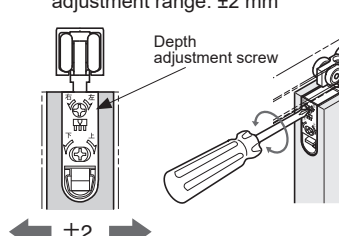
Adjust door such that door is parallel to upper track with 10 mm distance between door and floor.

- ⊘ Do not turn adjustment screw more than adjustment range.
- ⊘ To avoid damage on the adjustment screw do not use electric screw driver.

Vertical adjustment range:  $\pm 4$  mm

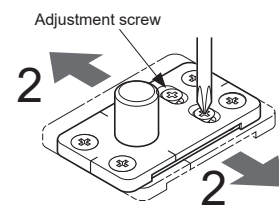


Depth adjustment range:  $\pm 2$  mm



### 4. Adjusting Floor guide: adjust range is $\pm 2$ mm.

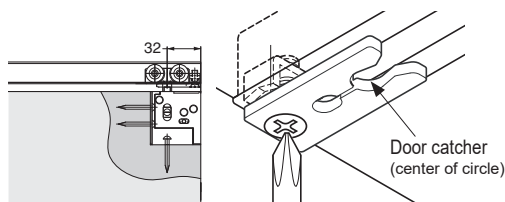
Slowly close and open the door. If door is not moved smoothly, it is necessary to make forward-backward adjustment for floor guide and door.



### 5. Fixing Door catch position

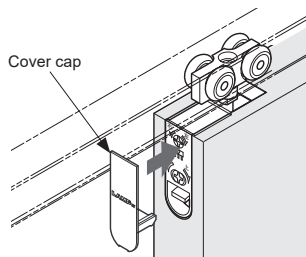
Fix Door catch at the position where the center of Door catch is 32 mm from the vertical frame. Then slowly move the door to close.

If necessary, adjust upper stopper position.



### 6. Putting Cover cap

Push in cover cap between door and upper roller.



### PERIODICAL INSPECTION

- Clean the inside of track.
- Check the upper and lower space of the door. If necessary, correct the space..

## TROUBLESHOOTING

Trouble	Checkpoint	Solution
Abnormal noise during operation	Check if door bottom contacts the floor or floor guide.	Verify that the track mounting screws are not loosened. Then, adjust the door height such that the clearance between the door bottom and floor is 6 - 14 mm.
	Check if door touches adjacent parts.	Adjust the position of floor guide to avoid contact with other objects.
	Check track rollers for aluminum dust.	Remove the track and pull out the roller. Then, clean the roller.
	Check the track mounting screws for looseness.	Retighten the screws to free the roller.
Heavy door operation	Check if door bottom contacts the floor or floor guide.	Verify that the track mounting screws are not loosened. Then, adjust the door height such that the clearance between the door bottom and floor is 6 - 14 mm.
	Check if door touches adjacent parts.	Adjust the position of floor guide to avoid contact with other objects.
Door does not move.	Check the track mounting screws for looseness.	Retighten the screws to free the roller.
Door starts to move.	Check if the upper track is set horizontally.	Using a level gauge, reset the upper track horizontally.

#### SUGATSUNE KOGYO CO., LTD.

Tokyo, JAPAN  
Phone: +81 3 3866 2260  
E-mail: export@sugatsune.co.jp

#### SUGATSUNE KOGYO (UK) LIMITED

Reading, UK  
Phone: +44 1189 272 955  
E-mail: sales@sugatsune.co.uk

#### SUGATSUNE EUROPE GmbH

Düsseldorf, GERMANY  
Phone: +49 211 53812 900  
E-mail: sales@sugatsune.eu

#### SUGATSUNE AMERICA, INC.

California, USA  
Phone: +1 310 329 6373  
E-mail: sales@sugatsune.com

#### Chicago, USA

Phone: +1 630 317 7072  
E-mail: sales@sugatsune.com

#### SUGATSUNE CANADA, INC.

Montreal, CANADA  
Phone: +1 514 312 5267  
E-mail: support@sugatsune.ca

#### SUGATSUNE SHANGHAI CO., LTD.

Shanghai, CHINA  
Phone: +86 21 3632 1858  
E-mail: lamp@sugatsune.com.cn

#### Guangzhou, CHINA

Phone: +86 20 6639 3554  
E-mail: lamp@sugatsune.com.cn

#### SUGATSUNE KOREA CO., LTD.

Incheon, KOREA  
Phone: +82 32 220 0603  
E-mail: sales@sugatsune-korea.co.kr

#### SUGATSUNE KOGYO INDIA

PRIVATE LIMITED  
Mumbai, INDIA  
Phone: +91 9867299597  
E-mail: sales@sugatsune.in

#### Delhi, INDIA

Phone: +91 9867299597  
+91 11 45093636  
E-mail: sales@sugatsune.in