

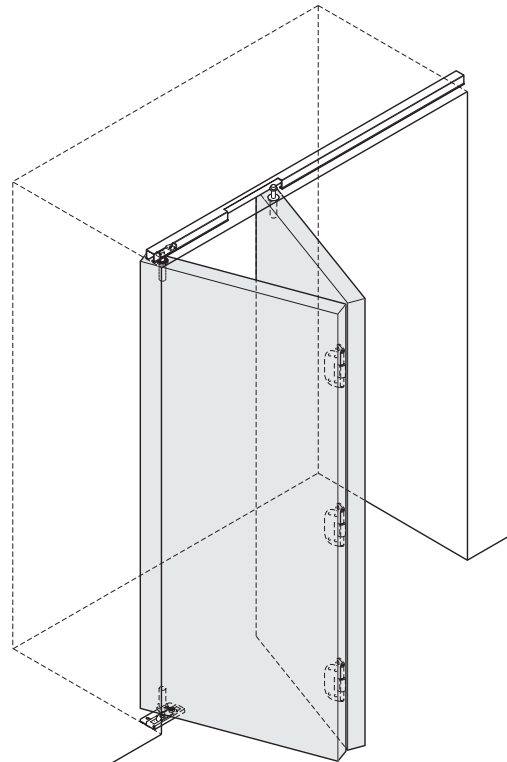
Thank you for selecting our product. Before starting installation, please read this manual thoroughly to ensure correct installation. Please keep this manual at hand for future reference.

ABOUT THE PRODUCT

- This product is a parts set for folding door system for indoor use.
- Easy door installation and adjustment.

SPECIFICATION

Max.Door width	450 mm
Max.Door height	2400 mm
Min.Door thickness	28 mm
Max.Door weight	15 kg / door
Height adjustable range	+ 3 mm



FOR YOUR SAFETY AND CORRECT INSTALLATION

Meaning of symbols

Warning Caution	Prohibited	Required
---------------------------	-------------------	-----------------

⚠ WARNING: If not followed, death or serious injury may result.

- ❗ This product should be installed by a qualified person in accordance with this manual. If it is not installed correctly, the door may fall and cause injury.
- ❗ Provide a frame that can withstand the weight and impact of opening and closing the door. Be sure to use the specified screws and tighten them securely. If the mounting strength is insufficient, the door may fall and cause injury.
- ⊘ Do not use this product for any other purpose, or with doors that are outside the specifications of this manual.
- ⊘ Do not disassemble or modify any parts other than those described in this document.

⚠ Caution: If not followed, injury or damage may result.

- ❗ This product is a part for furniture. After installation, please check the function and safety of the final product. Please inform the end user how to use the product safely.
- ❗ Follow the specified dimensions, specifications, and alignment of the cabinet. Warping, tilting or twisting of the cabinet or door may cause failure.
- ❗ If cutting any parts, make sure to remove any burrs before installation. Also check the upper track for any left-over burrs or scraps and remove these.
- ❗ Make sure to check the screws for slack at regular intervals (one month from first usage, half a year, and then one time every year is recommended).
- ⊘ Do not open / close the door with excessive force as this may result in damage.

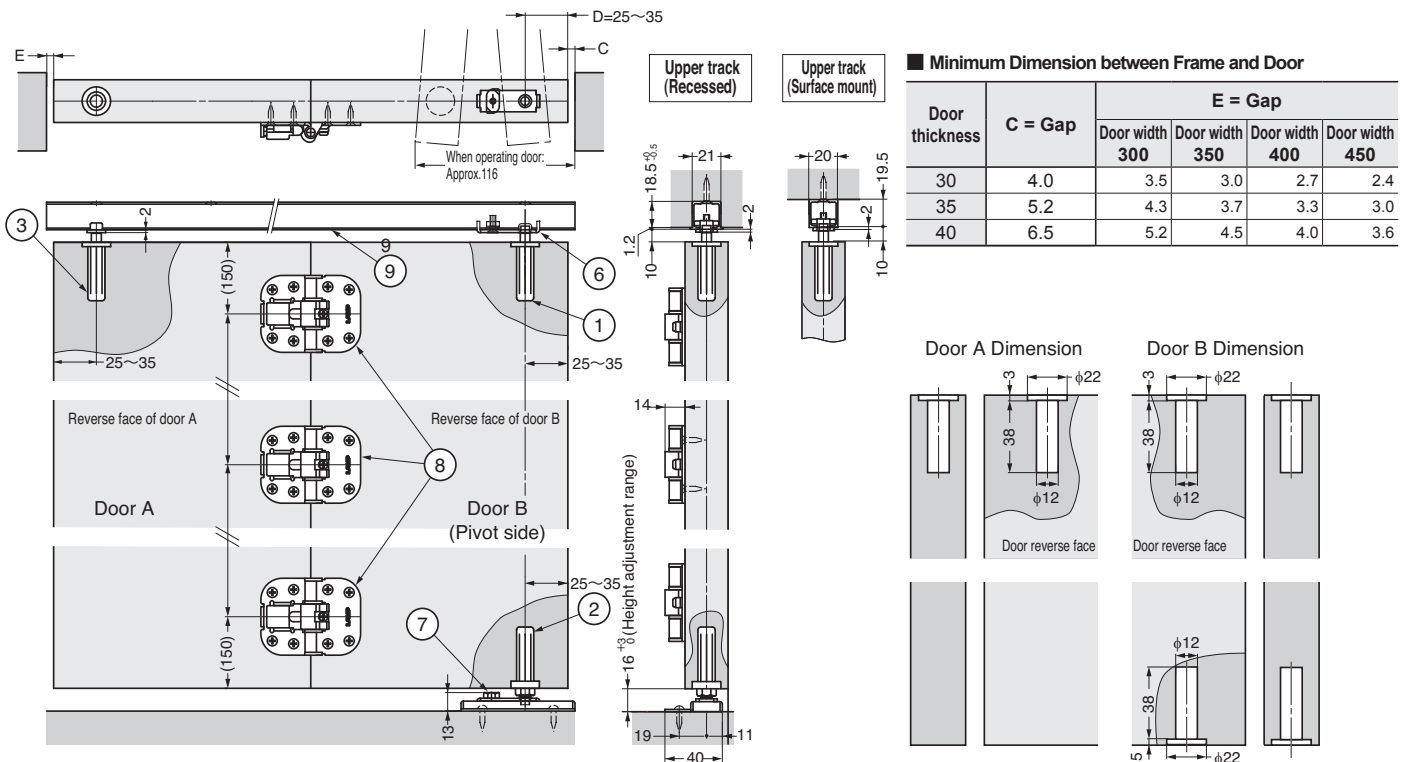
COMPONENT PARTS

No.	①	②	③	④	⑤	⑥
Name	Upper pivot	Bottom pin	Guide roller	Pivot insert Jig	Spanner	Pivot bracket (upper)
Item No.	FD30-FTP	FD30-FBP	FD30-FGRU	FD30-FSJ	FD30-FSP	FD30-FSKU
Item			 Roller part : Black			
Attached screw	Pan head tapping screw 3.5×30...3	—	—	—	—	—
2 door, main door end fixed	1	1	1	1	1	1
4 door, main door end fixed	2	2	2	1	1	2

No.	⑦	⑧	⑨	
Name	Pivot bracket (bottom)	Center hinge (surface mount)	Upper track (surface mount)	Upper track (recessed mount)
Item No.	FD30-FPU	FD30-CHM	FD30-TRM	FD30-TRH
Item				
Attached screw	Truss head tapping screw 4×16	Countersunk head Tapping screw 3.5×16	(Recommended screw Countersunk head tapping screw 3.5×20)	
2 door, main door end fixed	1	3	Use 1 (surface mount or recessed)	
4 door, main door end fixed	2	6	Use 1 (surface mount or recessed)	

■ INSTALLATION DRAWING(EXAMPLE)

Door opening (when 40mm door thickness, 450mm door width)



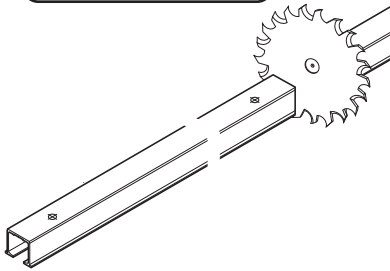
ASSEMBLY

1 Cutting Track

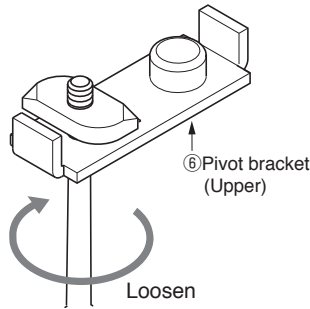
Cut the track applying a reinforcer to prevent deformation of cut section.

⚠Caution

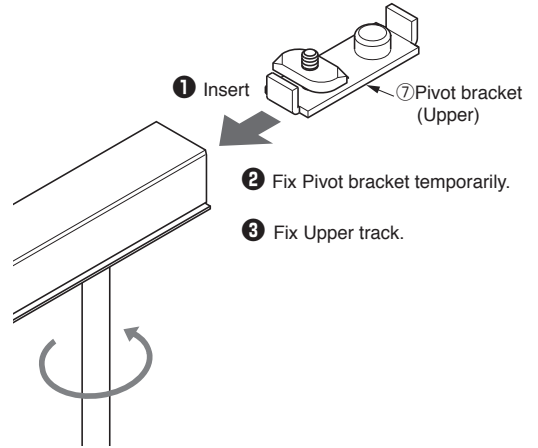
Remove any dirt or chips from the tracks.



2 Preparing Pivot Bracket



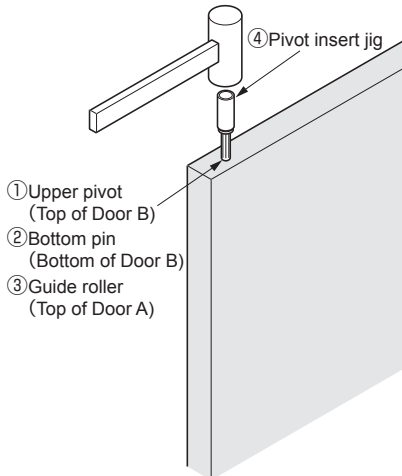
3 Assembly of Upper Track



4 Assembling Parts on Door

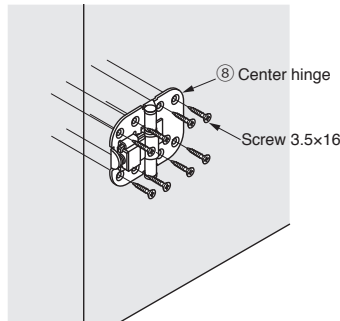
⚠Caution

Be careful not to damage the plastic parts.



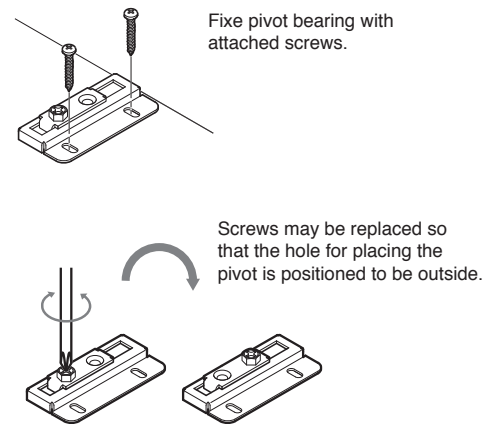
5 Installing Center Hinge

Fix all of Center hinges in a same direction.



6 Installing Pivot Bracket

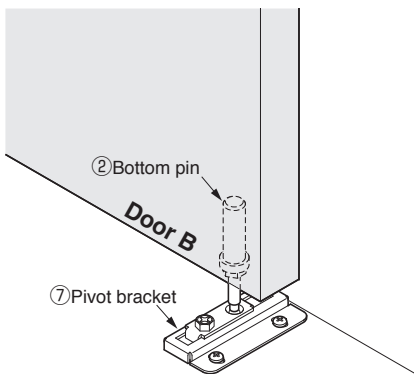
Mount pivot bracket to specified position at door fixing side using attached screws. Take care for mounting direction.



7 Installing Door

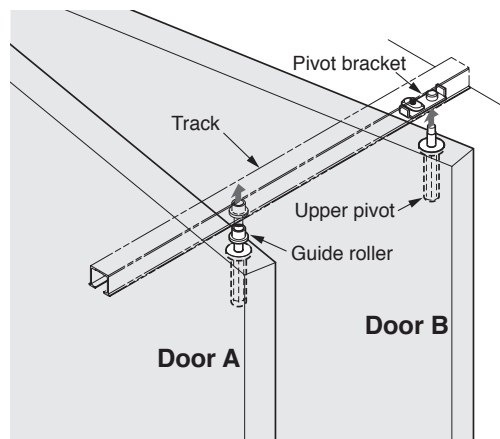
[1] Bottom

Fit the tip of Bottom Pin into the Hole on Pivot bracket.



[2] Top

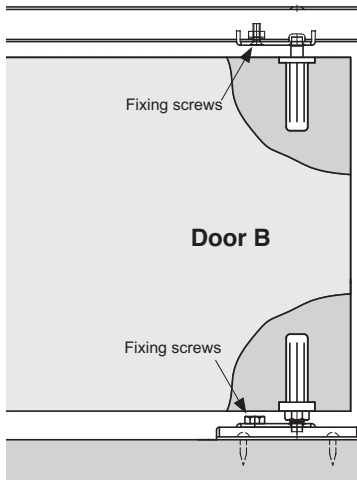
Pressing the pin of the Upper pivot on Door B, insert it in the hole of Pivot bracket. Fit the guide roller on Door A into the track. Fit the guide roller on Door A into the track.



8 Door Adjustment

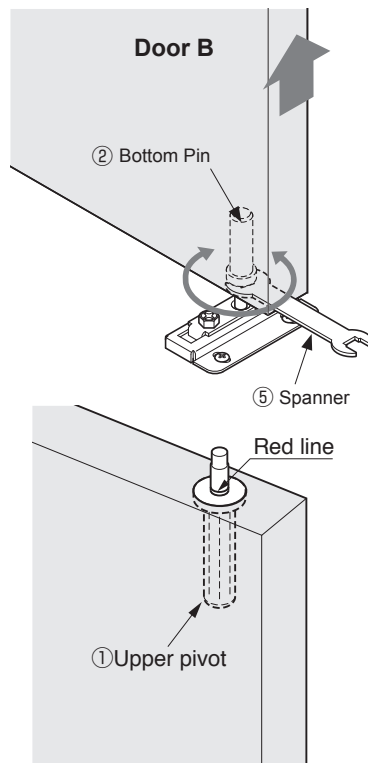
[1] Adjusting inclination of door

Loosen fixing screws on Both Pivot brackets.
Adjust the inclination.
Then retighten all the screws.



[2] Vertical adjustment

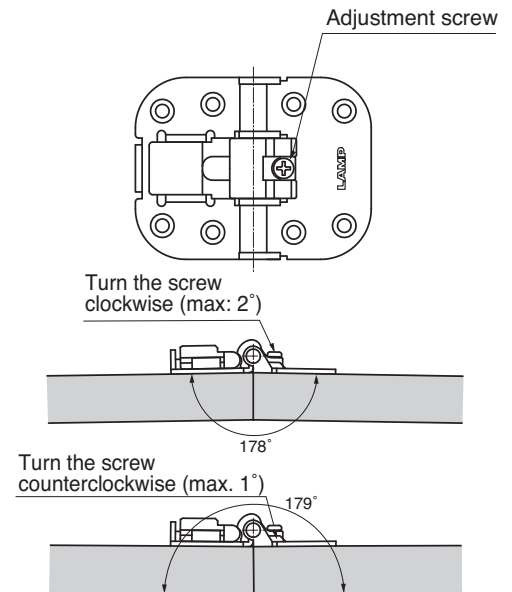
Turn the nut on Bottom pin with provided spanner.



Check if the red line on the pivot is hidden or not. If it is visible, rotate the pivot on the bottom pin to raise the door.

[3] Adjustment of door angle .

Turn adjustment screw on center hinge.



Final confirmation...Confirm that all screws are securely tightened. And, confirm that all screws are used without mistake.

PERIODICAL INSPECTION	Check
	<ul style="list-style-type: none"> • Clean inside of track. • Check upper space and lower space of the door. If necessary, correct the space.

■ TROUBLESHOOTING

Trouble	Check	Solution
Abnormal noise during operation	Check if door touches adjacent parts.	Provide necessary space between door and adjacent objects.
	Check inside of upper track for foreign matter or aluminum dust.	Remove dust or foreign matter.
	Check guide rollers for aluminum dust.	Remove the guide roller. Then, clean the roller.
	Check for loose screws retaining the upper track.	Tighten the screw.
Heavy door operation	Door bottom touches the floor.	Confirm that screws on the tracks are not loosened. And, adjust door height. Adjust the clearance between door bottom and floor to 16mm.
	Check if door touches adjacent parts.	Correct door position to avoid contact to other objects. Adjust position of Pivot brackets.
	Check if door is warped.	Use the door without warp.
Door does not move.	Check track retaining screws for looseness.	Roller touches the screw. Retighten screws to free the roller.
Door starts to move.	Check if the upper track is set horizontally.	Using a level gauge, reset upper track horizontally.

SUGATSUNE KOGYO CO.,LTD
Tokyo, JAPAN
Phone: +81 (0)3 3866 2260 E-mail:export@sugatsune.co.jp

SUGATSUNE KOGYO (UK) LTD
Reading, UK
Phone: +44 118 9272 955 E-mail:sales@sugatsune.co.uk

SUGATSUNE EUROPE GmbH
Düsseldorf, GERMANY
Phone: +49 211 53812900 E-mail:sales@sugatsune.eu

SUGATSUNE SHANGHAI Co., LTD
Shanghai, CHINA
Phone: +86 21 3632 1858 E-mail:lamp@sugatsune.com.cn

Guangzhou, CHINA
Phone: +86 20 6639 3552 E-mail:lamp@sugatsune.com.cn

SUGATSUNE KOGYO INDIA PRIVATE LIMITED
Mumbai, INDIA
Phone: +91 22 28314490/91 E-mail:sales@sugatsune.in

SUGATSUNE AMERICA, INC
California, USA
Phone: +1 310 329 6373 E-mail:sales@sugatsune.com

Chicago, USA
Phone: +1 630 317 7072 E-mail:sales@sugatsune.com

SUGATSUNE CANADA, INC.
Phone: +1 514 312 5267 E-mail:support@sugatsune.ca