

LAMP® DIS-M SHUTTER SYSTEM Installation Manual (Surface Mount)

Thank you for using our product. Before installation, please read this manual thoroughly to ensure correct installation.

Please keep this manual at hand for future reference.

ABOUT THE PRODUCT


- This product is a shutter system for cabinets.
- 20 mm of bending radius adds a sleek look to the cabinet.






FOR YOUR SAFETY AND CORRECT INSTALLATION

Meaning of symbols

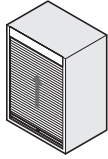
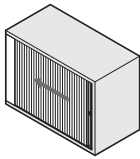
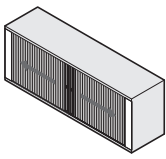
 Warning Caution	 Prohibited	 Required
---	---	---

 **Caution** If not followed injury or damage may result.

-  When cutting the slats, remove burrs on the edges.
-  Remove any dirt or wooden chips from the guide tracks before the installation of the shutter profiles.
-  Do not lean on the shutter profiles. It may cause the slats to break.

TYPES OF CABINET / DIMENSIONS

(Make the cabinet disassemblable for maintenance.)

	Vertical	Horizontal	Horizontal - Double opening
			
Width	300 - 1200 mm	300 - 900 mm	600 - 1800 mm
Height	300 - 900 mm	100 - 1200 mm	100 - 200 mm
Depth	Min. 330 mm	Min. 330 mm	Min. 330 mm

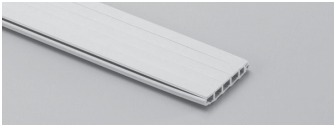
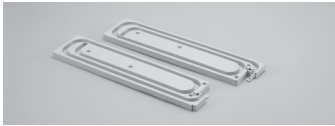
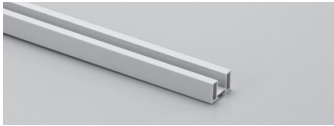
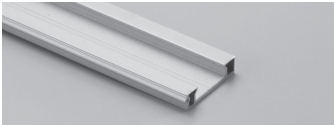
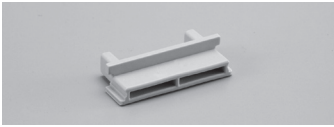


SCREWS NEEDED FOR ASSEMBLY

	Metal cabinet		Wooden cabinet		Common
	Vertical, Horizontal	Horizontal (Double opening)	Vertical, Horizontal	Horizontal (Double opening)	Vertical (for spring plate ^⑥)
Pan head screw M4 × 10	8	16	-	-	2
Bind head tapping screw φ4	-	-	8	16	-
Countersunk head wood screw 2.7 × 13	2	2	2	2	-

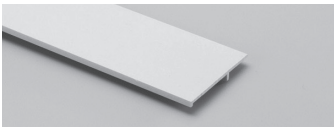




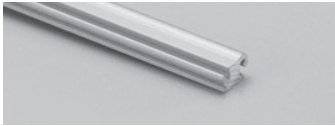
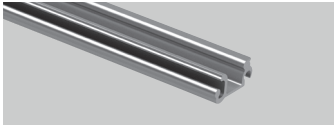
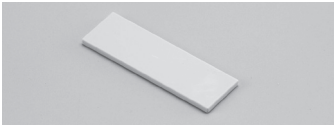


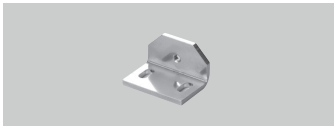
THE OTHER ITEMS BE PREPARED

- Tape (Part No.D15-020)
- Grease (Part No.D15-025)

COMPONENT PARTS

① Slat DIS-001-1200 1200 mm 	② Storage guide DIS-004R (Right) DIS-004L (Left) 	③ Guiding rail (surface mount) DIS-05-860 860 mm 	④ End-slat DIS-007-1200 1200 mm 
⑤ End-slider DIS-009 	⑥ Spring plate (vertical type only) DIS-012 	⑦ Balance spring (vertical type only) Build to Order 	

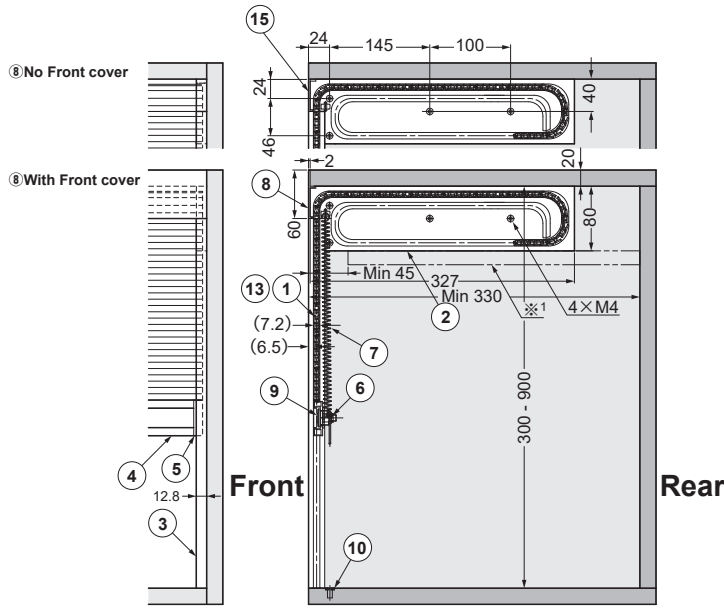
OPTIONAL PARTS

⑧ Front cover DIS-006-1200 1200 mm 	⑨ Cam lock DIS-022 DIS-010 	⑩ Counter plate DIS-011 	⑪ Center stopper (surface mount) (for double opening) DIS-017 
⑫ Counter plate (for double opening) DIS-021 	⑬ Middle slat DIS-019 1198 mm 	⑭ Handhold slat DIS-023 1198 mm 	⑮ Storage cover (surface mount) DIS-024 
⑯ Magnet catch (for wooden vertical cabinet, W ≤ 600) IND10-WT 	⑰ Magnet catch (for metal vertical cabinet, W ≤ 600) MC-FP5W 	⑱ Middle bracket (for vertical cabinet, W ≤ 600) DIS-024 	

INSTALLATION DRAWING

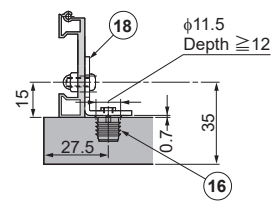
(Vertical type when using front cover^⑧.)

For horizontal type, use the side view of vertical type as the plan view.

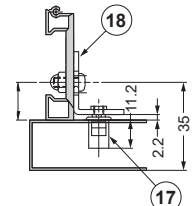


<Optional part>

Magnet catch

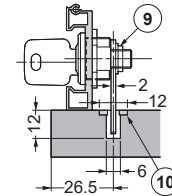
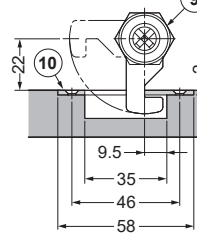


(Wooden cabinet)



(Metal cabinet)

⑨ Cam lock

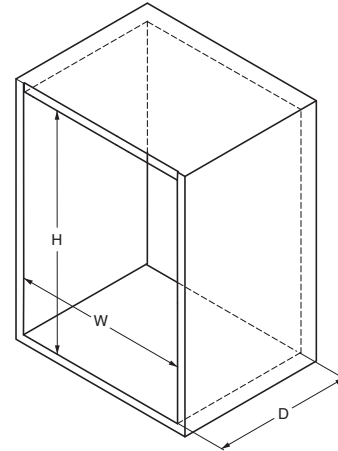


※¹ When storing unstable goods in a horizontal cabinet, it is recommended to place a middle board to avoid interference between the slats and the stored goods.

PROCESS DIMENSIONS FOR SLATS

Parts name	Vertical		Horizontal		Horizontal - Double opening	
	Quantity (rounded up)	length	Quantity (rounded up)	length	Quantity (rounded up)	length
Slat	W<600 H/40 W≥600 H/48	W-10	H<600 W/40 H≥600 W/48	H-10	H<600 {(W/2)/40} × 2 H≥600 {(W/2)/48} × 2	H-10
Storage guide	2	H-40	2	W-40	2 2	(W/2)-40 (W/2)-41.5 ※ ²
End-slat	1	W-30	1	H-30	2	H-30
OPTIONS						
Front cover	1 (W<600 only)	W	1 (H<600 only)	H	2 (H<600 only)	H
Middle slat	H/48 (W≥600 only)	W-12	W/48 (H≥600 only)	H-12	{(W/2)/48} × 2 (H≥600 only)	H-12
Handhold slat	1	W-12	1	H-12	2	H-12

※² For horizontal type with double doors, one side of guiding rail is cut 1.5mm shorter to insert center stopper.



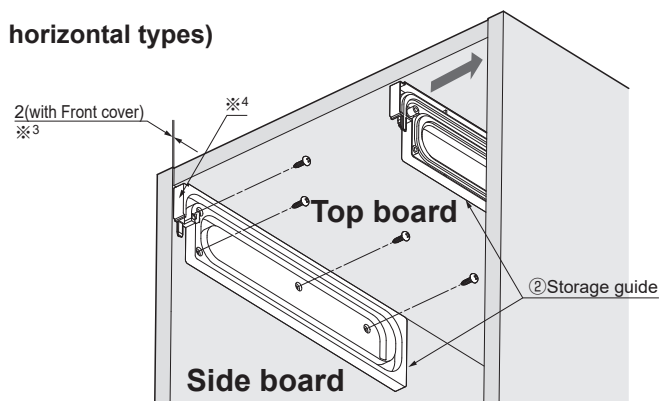
INSTALLATION PROCEDURE

1 Installing Storage guide (both vertical and horizontal types)

Hold storage guide tightly against the rear face of the top board and fix with screws.

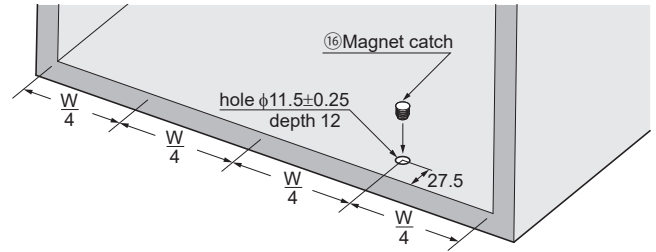
※³ When using front cover, recess the storage guide 2 mm.

※⁴ Front cover will be flush with the front end of the top board.

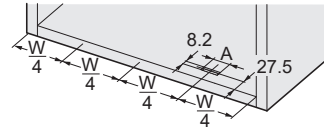


2 Fixing Magnet catch (vertical type only)

When the width is 600 mm or less, use a magnet catch and middle bracket.
For wooden cabinets, drill a hole at a position of a quarter of the opening width.



For metal cabinets, drill a hole at a position of a quarter of the opening width, as shown in the right figure.

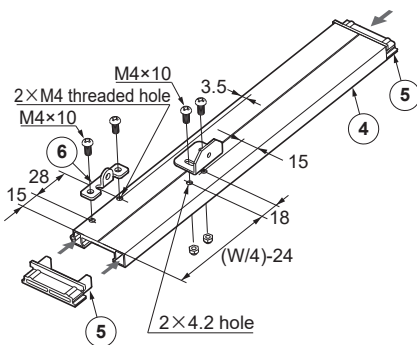


Thickness	A ^{+0.1} ₀
0.8	34.1
1.0	34.1
1.2	34.5
1.4	34.5
1.6	35.0
1.8	35.5
2.0	36.5

3 Processing and Assembling End-slat (both vertical and horizontal types)

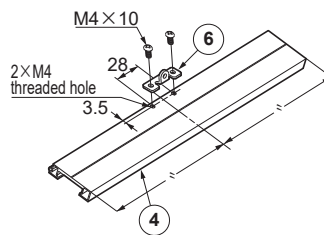
(Vertical type)

The width is 600 mm or less.



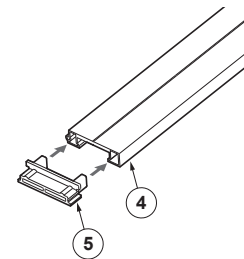
Drill threaded holes to fix the Spring plate to the end slat.

The width is 600 mm or more.



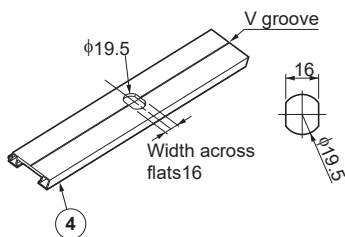
When the width is 600 mm or more, drill threaded holes in the middle of the end slat to fix the spring plate.

(Horizontal type)



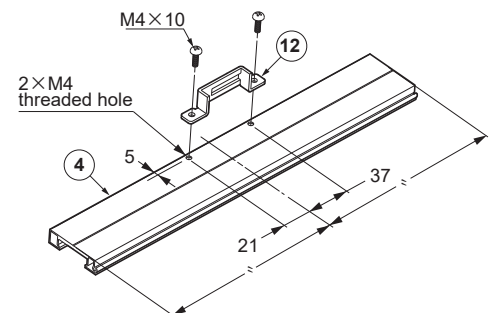
Insert the end slider into the end slat without leaving a gap. Refer to the figure and pay attention to the direction.

- Using an optional part cam lock (Both vertical and horizontal types)



Make a hole with V-groove as the center.

(Counter plate for horizontal type double door)



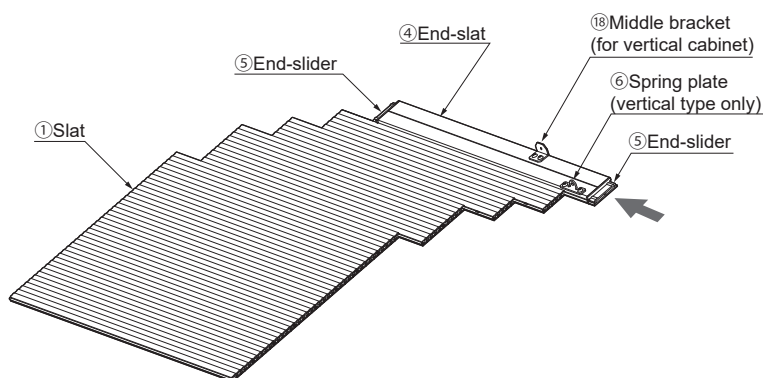
⚠ Pay attention to the direction of the end-slat and the positional relation between the end-slat and counter plate.

4 Assembling slat (both vertical and horizontal types)

- Apply versatile elastic adhesive and tape to assemble the slats.

- Apply adhesive Every 100-150 mm just for preventing lateral displacement. Proceed to the next step after the adhesive hardens completely.

- When using a handhold slat, be sure to insert between slats ①, do not connect with the middle slat ⑬. The length of the handhold slat ⑭ should be 2 mm shorter than the slat ①. Each end needs to be 1 mm retracted. ※⁵



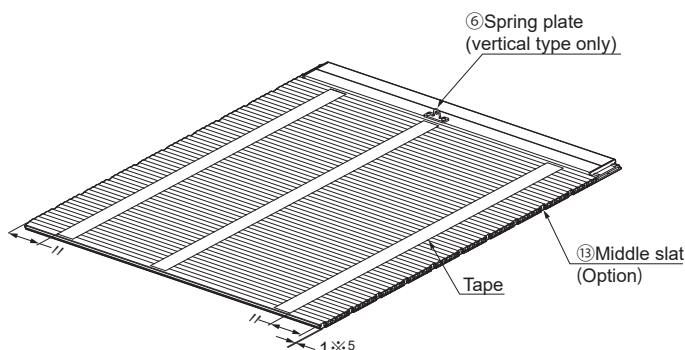
Precautions when applying tape



- Combine Middle slat between slats for vertical type with width 600 mm or more (Horizontal type with height 600 mm or more)

72 hours after applying the adhesive, apply tape on the backside of the slats to prevent lateral displacement.

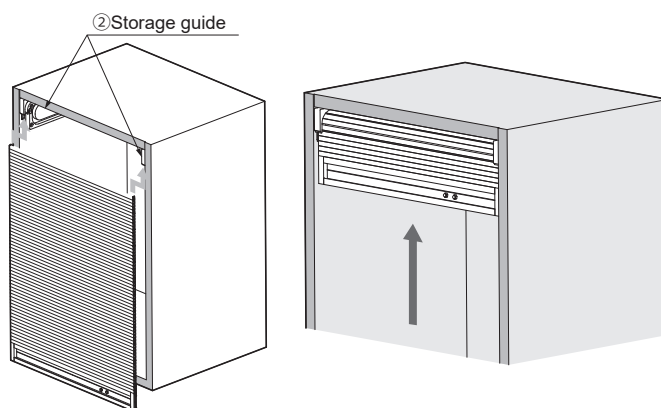
- The length of middle slat ⑬ should be 2 mm shorter than slat ①. Each end needs to be 1 mm retracted. ※⁵



5 Installing into a cabinet (both vertical and horizontal types)

Slide assembled slat in the Storage guide. After that, roll up the slat to the top.

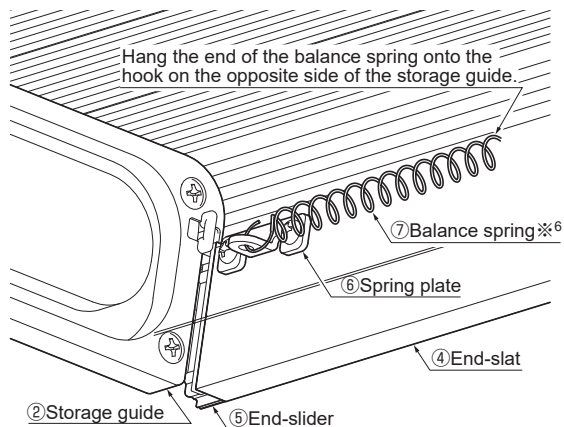
Apply provided grease on the groove of the storage guide. Smooth movement can be maintained by periodically applying grease.



6 Attaching Balance spring (vertical type only)

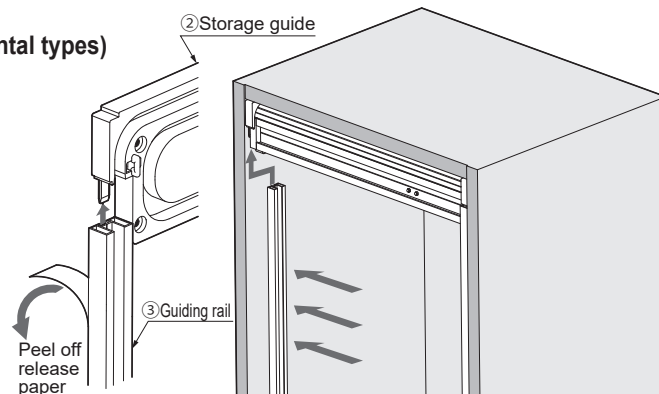
Hook balance spring to spring plate.
Use one spring for the width 600mm or less, two springs for the width 600mm or more.

※⁶ Balance spring will be made to order, since it needs to be fit with the volume of the shutter.



7 Attaching Guiding rail (both vertical and horizontal types)

Peel release paper from double-sided tape on the guiding rail and attach to the side board while connecting with the Storage guide.
For horizontal type with double doors, divide guiding rail into two parts, and mount center stopper at the center position. Consequently, cut a divided Guiding rail 1.5 mm shorter than the other.



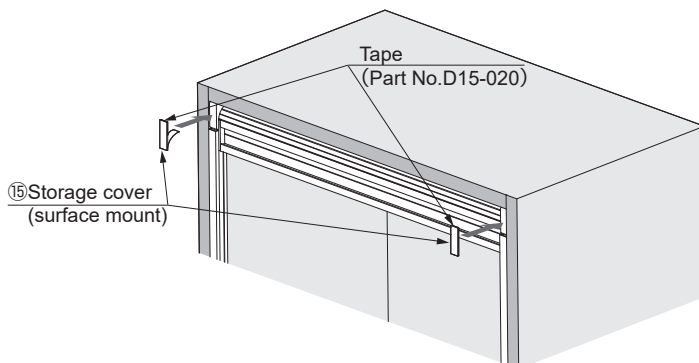
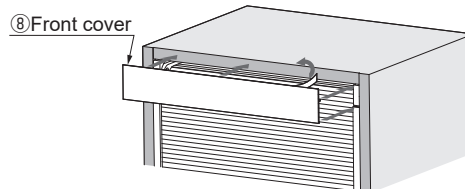
8 Installing Front cover, Storage cover (optional parts)

**Vertical type with width 600 mm or more
(Horizontal type with height 600 mm or more)**

Peel release paper from double-sided tape on front cover (8), put to the end of surface of top board paying attention to pawls for fitting to storage guide (2).

**Vertical type with width 600 mm or more
(Horizontal type with height 600 mm or more)**

Peel off double-sided tapes attached to storage cover (15) and put both of them as shown in the right figure.

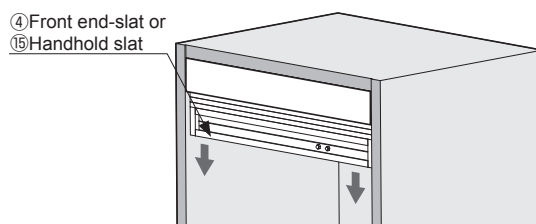


Caution

If the width or the height exceeds 600 mm, the slats may warp and interfere with the front cover.

Precautions for use

When closing, hold both ends of the slat. If you hold the slat with one hand only, the slats will lean and the movement will not be smooth.



SUGATSUNE KOGYO CO.,LTD
Tokyo, JAPAN
Phone: +81 (0)3 3866 2260 E-mail:export@sugatsune.co.jp

SUGATSUNE KOGYO (UK) LTD
Reading, UK
Phone: +44 118 9272 955 E-mail:sales@sugatsune.co.uk

SUGATSUNE EUROPE GmbH
Düsseldorf, GERMANY
Phone: +49 211 53812900 E-mail:sales@sugatsune.eu

SUGATSUNE SHANGHAI Co., LTD
Shanghai, CHINA
Phone: +86 21 3632 1858 E-mail:lamp@sugatsune.com.cn

Guangzhou, CHINA
Phone: +86 20 6639 3552 E-mail:lamp@sugatsune.com.cn

SUGATSUNE KOGYO INDIA PRIVATE LIMITED
Mumbai, INDIA
Phone: +91 22 28314490/91 E-mail:sales@sugatsune.in

SUGATSUNE AMERICA, INC
California, USA
Phone: +1 310 329 6373 E-mail:sales@sugatsune.com

Chicago, USA
Phone: +1 312 461 1081 E-mail:chicagoshowroom@sugatsune.com.

SUGATSUNE CANADA, INC.
Phone: +1 514 312 5267 E-mail:support@sugatsune.ca