

LAMP® ALT-2V-5 POCKET DOOR HARDWARE (OVERLAY) Installation Manual

Thank you for selecting our product. Before starting installation, please read this manual thoroughly to ensure correct installation. Please keep this manual at hand for future reference.

ABOUT THE PRODUCT

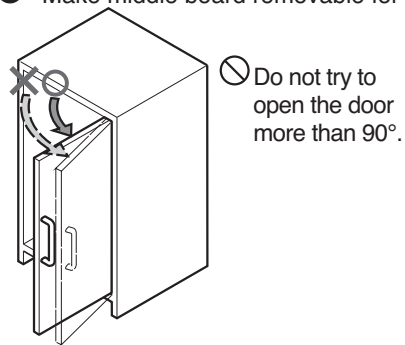
- This product is a parts set for installation of pocket door for cabinets.
- The door is stored inside the cabinet.

FOR YOUR SAFE WORK AND CORRECT INSTALLATION

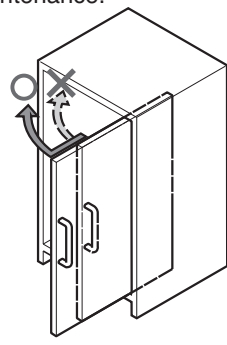
- ⊘ This symbol denotes prohibited actions.
- ⓘ This symbol denotes what must be done.

Caution If these cautions are not followed, it may result in injury or damage.

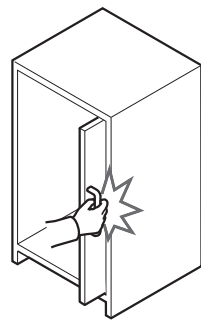
- ⊘ Do not try to use this product for any other purposes other than originally intended for.
- ⊘ Do not use the system for applications that are out of specification.
- ⓘ When moving the cabinet, remove the door and re-assemble it at the site.
- ⓘ Make sure to test the screws for slack at regular intervals (one month from first usage, half year and then one time every year is recommended).
- ⓘ Make middle board removable for maintenance.



⊘ Do not try to open the door more than 90°.



ⓘ Do not try to close the door at the position before pulling out fully. It will damage the hinges.



ⓘ To prevent injuries, ensure that there is enough space around the handle.

COMPONENT PARTS

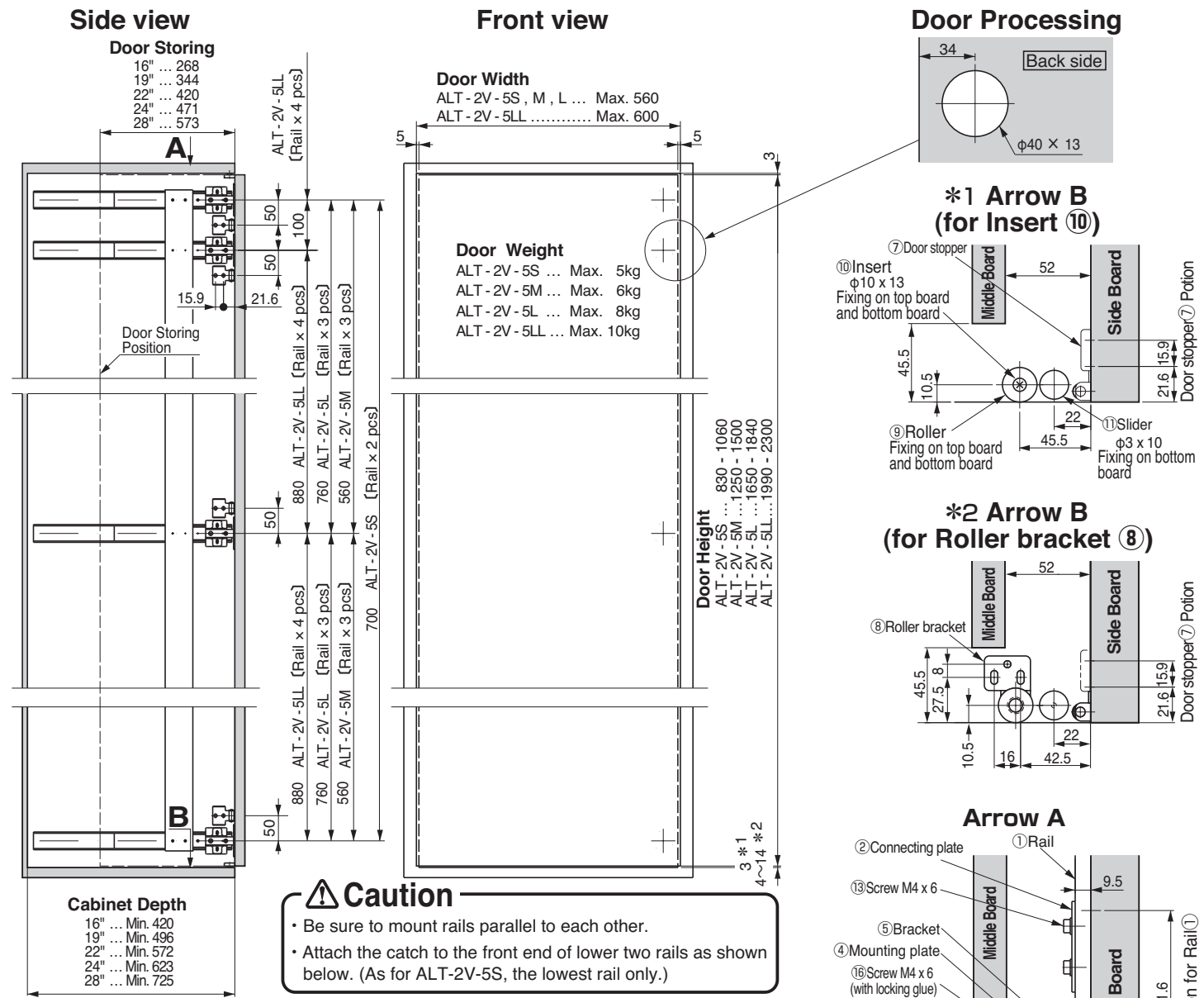
Item Name	Parts set										
	1	2	3	4	5	6	7	8	9	10	11
ALT - 2V - 5S Max Door Weight : 5 kg, Max Door Width : 560 mm, Door Height : 830 - 1060 mm, Max Door Thickness : 20 mm	2	ALT55-S : 1	2	2	2	1	2	A:1 B:1	2	2	2
ALT - 2V - 5M Max Door Weight : 6 kg, Max Door Width : 560 mm, Door Height : 1250 - 1500 mm, Max Door Thickness : 20 mm	3	ALT55-M : 1	3	3	3	2	3	A:1 B:1	2	2	2
ALT - 2V - 5L Max Door Weight : 8 kg, Max Door Width : 560 mm, Door Height : 1650 - 1840 mm, Max Door Thickness : 20 mm	3	ALT55-L : 1	3	3	3	2	3	A:1 B:1	2	2	2
ALT - 2V - 5LL Max Door Weight : 10 kg, Max Door Width : 600 mm, Door Height : 1990 - 2300 mm, Max Door Thickness : 20 mm	4	ALT55-LL : 1	4	4	4	2	4	A:1 B:1	2	2	2

Item Name	Parts set						
	12	13	14	15	16	17	
ALT - 2V - 5S	4	4	18	4	4	1	
ALT - 2V - 5M	6	6	27	6	6	1	
ALT - 2V - 5L	6	6	27	6	6	1	
ALT - 2V - 5LL	8	8	36	8	8	1	



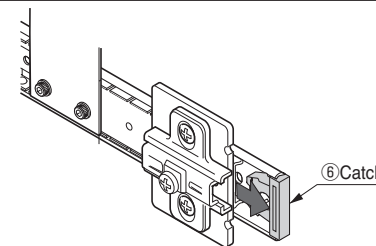
INSTALLATION DRAWING

5mm overlay coverage in side board.



Catch (AL-127-CH)

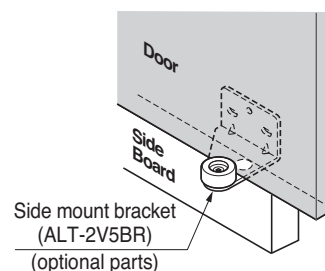
- This part catches the door at pulled out position.
- Attach the catch to the front end of rail.
- See INSTALLATION PROCEDURE 3 for detail.



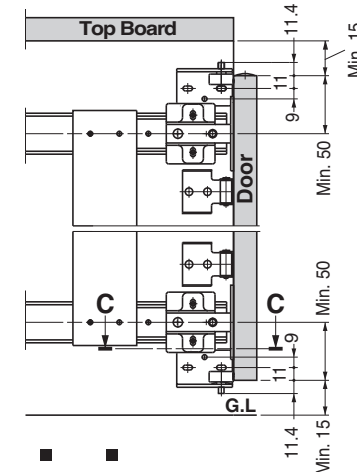
SIDE MOUNT BRACKET (ALT-2V5BR, OPTIONAL)

This part is designed to be used for applications where floor mounting is not possible.

Item Name	Installation Position
ALT - 2V5BR1	For Lower Right & Upper Left
ALT - 2V5BR2	For Upper Right & Lower Left

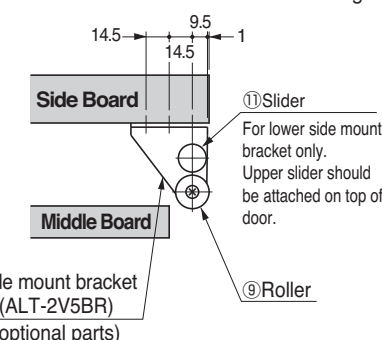


Dimensions when using Side mount bracket



Section C-C

Below drawing shows the case of the mounting on the right side board. The left side board is the mirror image.



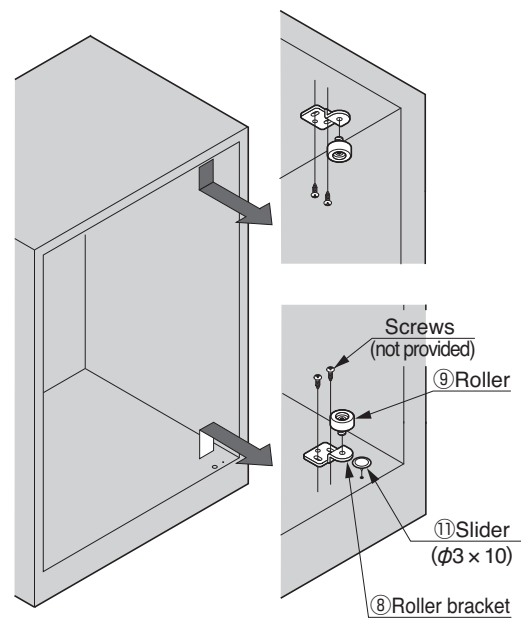
INSTALLATION PROCEDURE

1 Fixing Roller and Slider

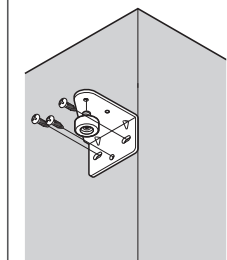
Fixing on top board and bottom board

<Use Roller bracket ⑧>

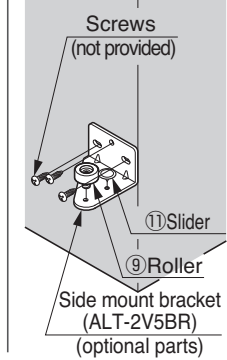
<Use Insert ⑩>



Fixing on side board

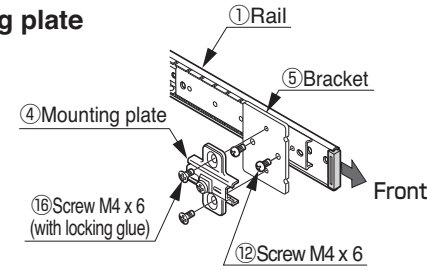


Side wall of storage

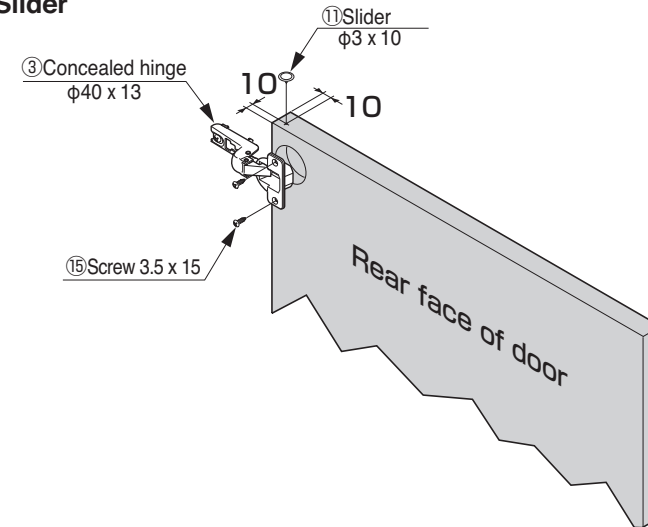


2 Fixing Mounting plate, Concealed hinge, Slider

Mounting plate



Concealed hinge, Slider

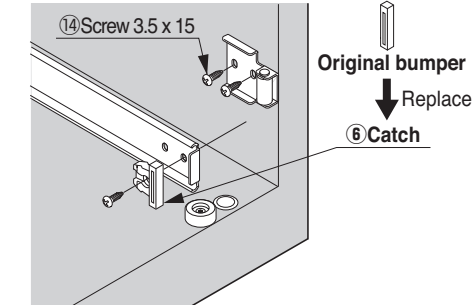


3 Mounting Rail temporarily, Fixing Door stopper

Rail

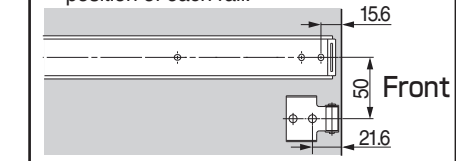
Mount the rails on the specified position temporarily by two screws only. (Bind tapping screw 3.5 x 1.5) The rails will be fixed later.

Remove the original bumpers from the lower two rails, and replace them with the catches. If the number of rail is two, replace it for lower rail only.

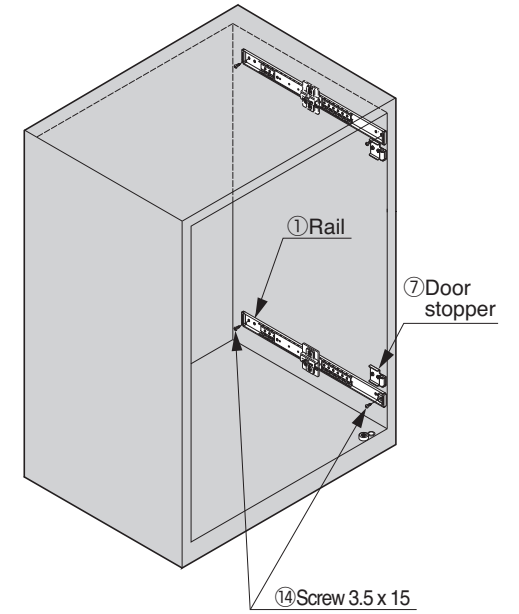


Position of Rail

See "Installation drawing" for the position of each rail.

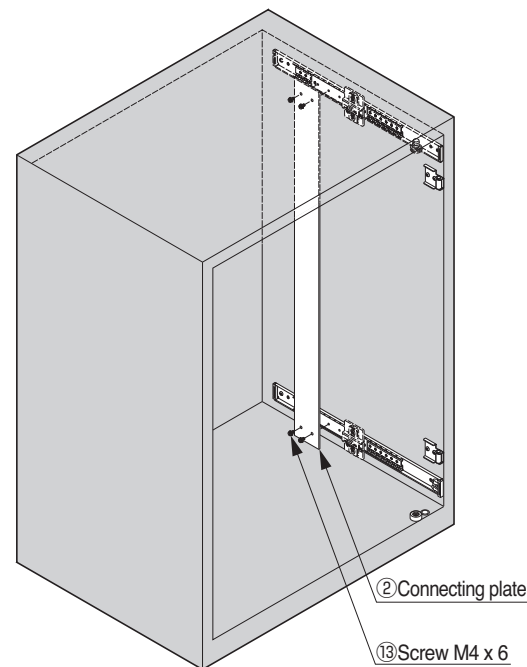


Door stopper



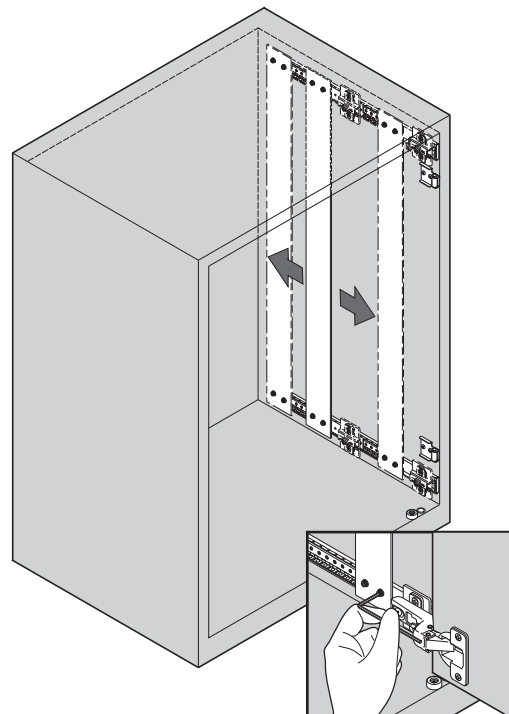
4 Fixing Connection plate

Mount the connecting plate on the Rails temporarily



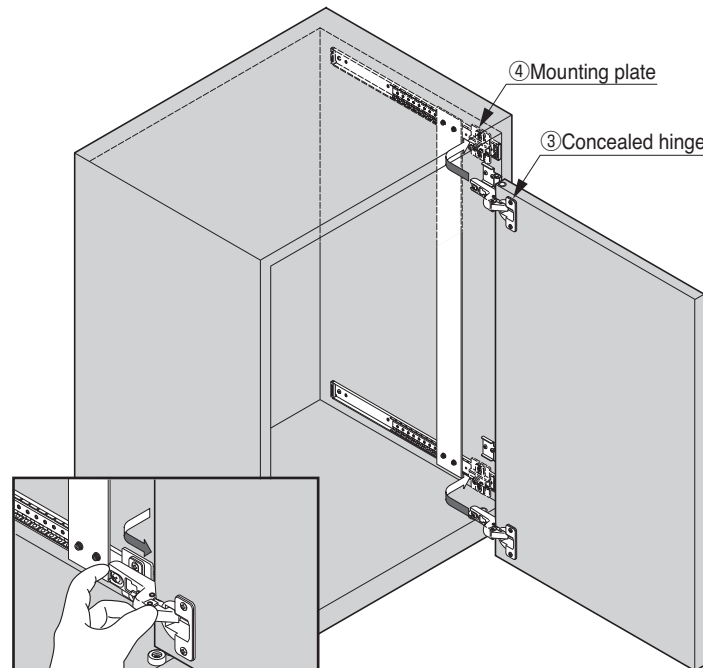
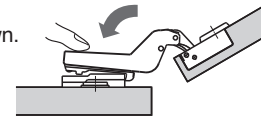
5 Alignment of Rails

- Hold the connecting plate and move it from the front end to rear end, and align the rails so that the connecting plate moves smoothly.
- Tighten the screws of the connecting plate, and check the movement again.
- Tighten the screws on the rails, and check the movement.
- If the movement is OK, fix the rails by fixing all of the screws.



6 Hanging door

- Hold the door and mount concealed hinges on the mounting plates as shown.
- Ensure that all of the screws are tightened firmly.



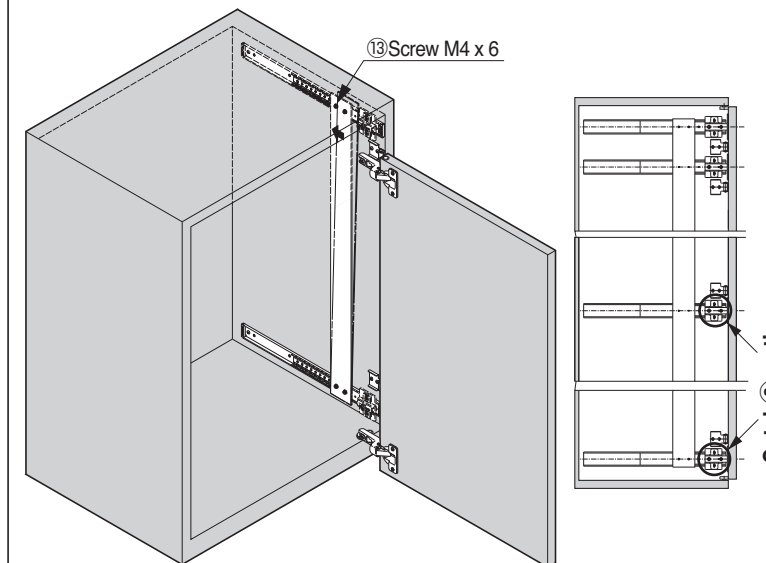
How to remove

Push the button as shown, and remove the concealed hinge.

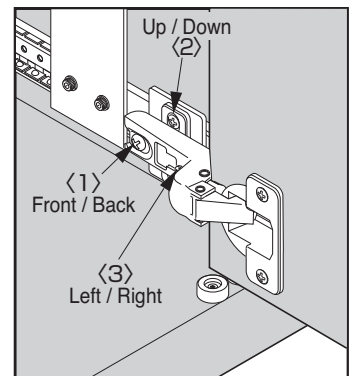
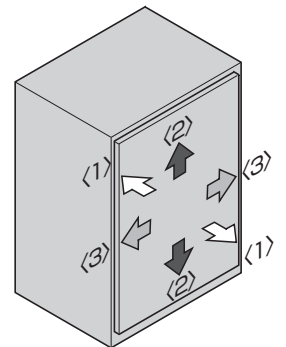
7 Adjusting door

How to adjust inclined door like the illustration below.

- Remove the door.
- Loosen hexagon socket head screw ⑬
- Pushing the top of connecting plate ② to the rear, re-tighten the hexagon socket head screw ⑬.



8 Adjusting door position



Caution

- Do not use motor screwdrivers.
- Be careful not to overtighten the screws.