

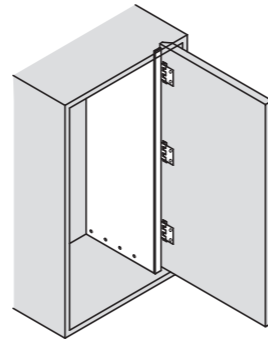
LAMP® TSSL-2V POCKET DOOR HARDWARE (INSET) Installation Manual

Thank you for selecting our product. Before starting installation, please read this manual thoroughly to ensure correct installation.

Please keep this manual at hand for future reference.

■ ABOUT THIS PRODUCT

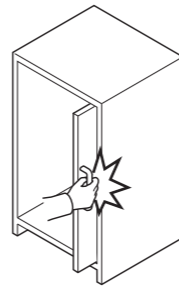
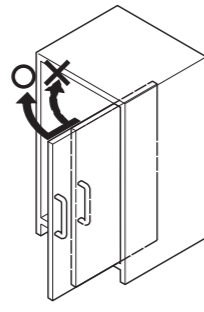
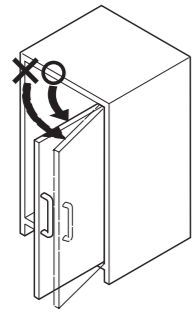
- This product is parts set for installation of pocket door for cabinets.
- The door is stored inside the cabinet.



	This symbol denotes prohibited actions.
	This symbol denotes what must be done.

⚠ Caution If these cautions are not followed, it may result in injury or damage.

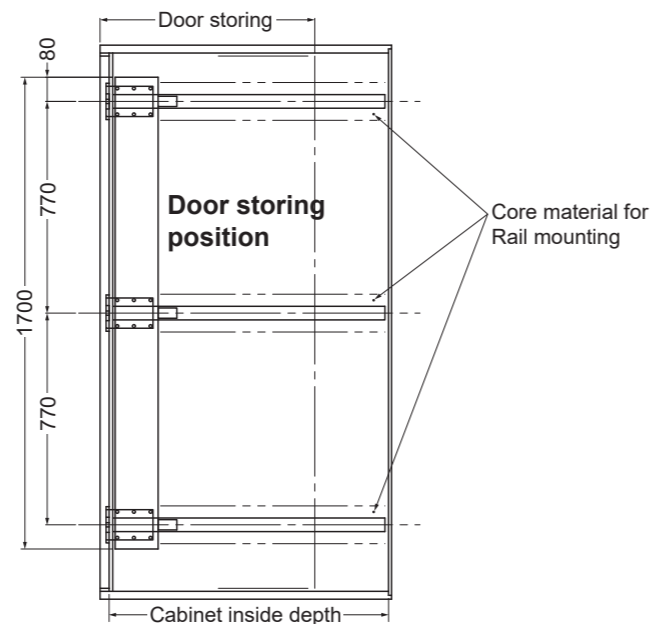
- ⊘ Do not try to use this product for any other purposes other than originally intended for.
- ⊘ Do not disassemble the components for any modifications.
- ⊘ Do not use the system for applications that are out of specification.
- ❗ When moving the cabinet, remove the door and re-assemble it at the site.
- ⊘ Do not try to open the door more than 90°.
- ⊘ Do not try to close the door at the position before pulling out fully. It will damage the hinges.
- ❗ To prevent injuries, ensure that there is enough space around the handle.



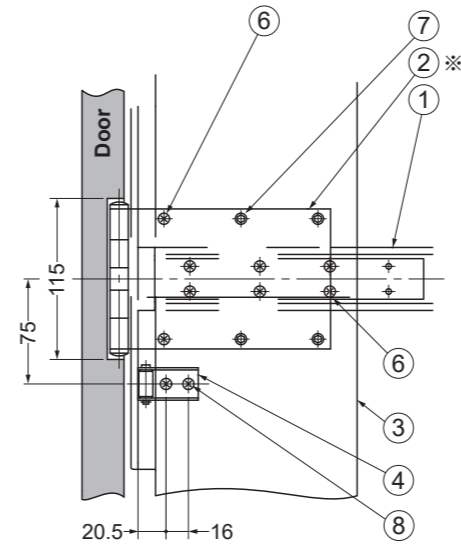
■ CABINET / DOOR WIDTH DIMENSIONS

Door Height	1760mm ~ 2300mm
Door Width	Max. 800mm
Door Weight	Max. 20 kg

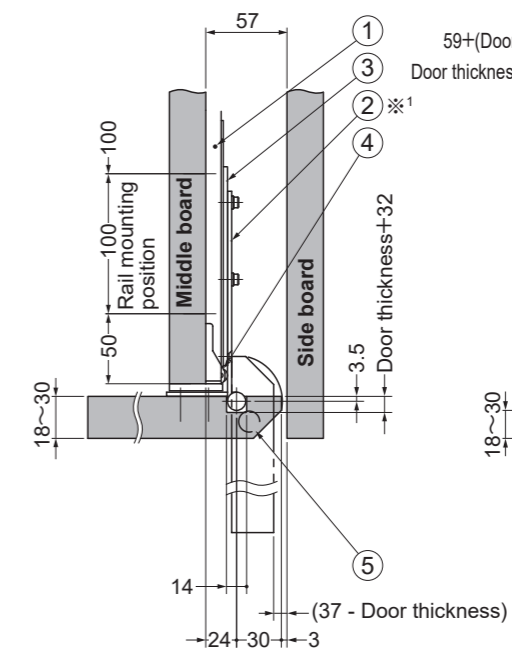
Item No.	Door storing	Cabinet inside depth
TSSL-600SV	376+(Door thickness-3.5)+30	Min. 620
TSSL-800SV	576+(Door thickness-3.5)+30	Min. 820
TSSL-900SV	676+(Door thickness-3.5)+30	Min. 920



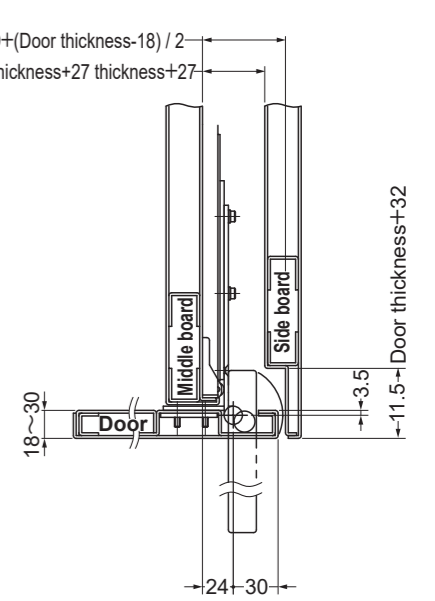
Side view (Wooden door)



Top view (Wooden door)



Top view (Steel door)



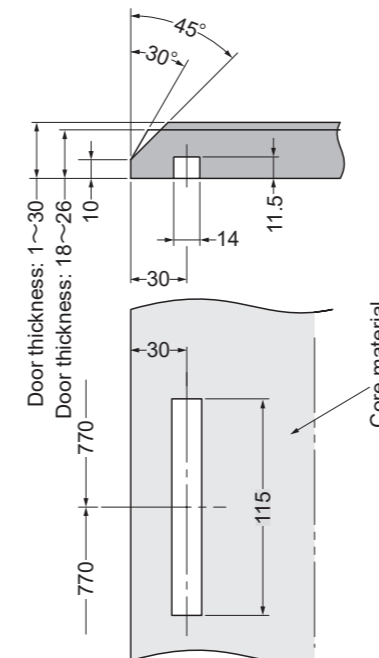
■ COMPONENT PARTS

①Rail	②Hinge ※1	③Connecting plate	④Stopper	⑤Smoother
3 pcs	3 pcs	1 pc	3 pcs	1 pc
⑥Screw M4 x 8	⑦Bolt M4 x 8	⑧Screw 3.5 x 16	⑨Allen key	
24 pcs	12 pcs	※2	1 pc	

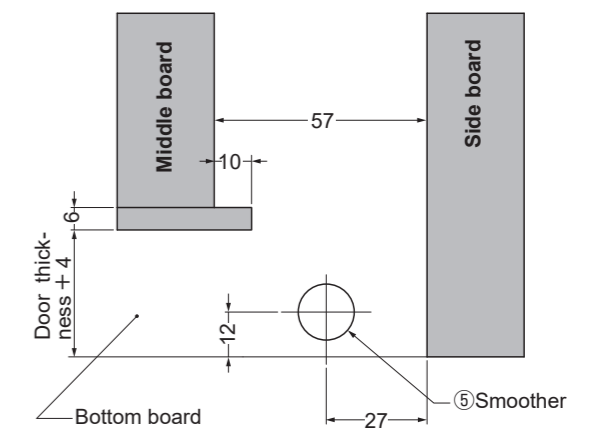
※ 1 : Screws are not provided. Prepare Counter-sunk screws 4 x 27.

※ 2 : 600SV: 36 pcs, 800SV: 48 pcs, 900SV: 54 pcs

Door processing

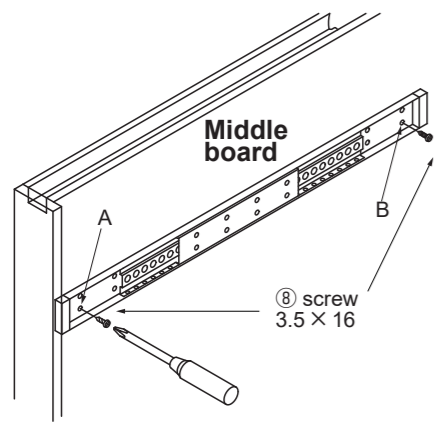


Cabinet processing



INSTALLATION PROCEDURE

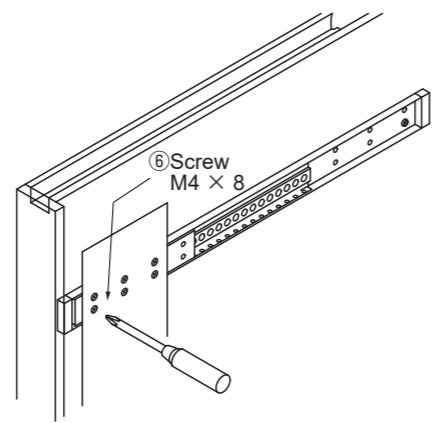
1



Mount rails by hole A and B temporary.

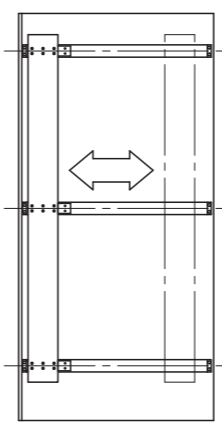
⚠ Ensure all rails to be parallel.

2



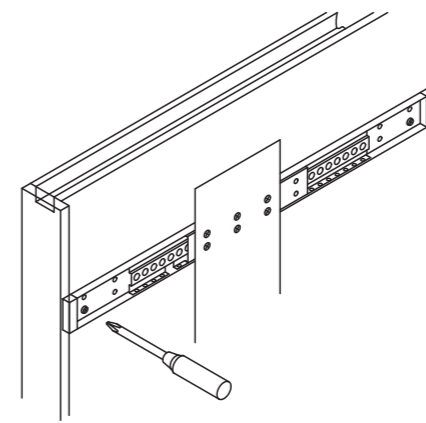
Mount Connecting Panel to the rails by 6 screws each. Check if all screws are tightened firmly.

3



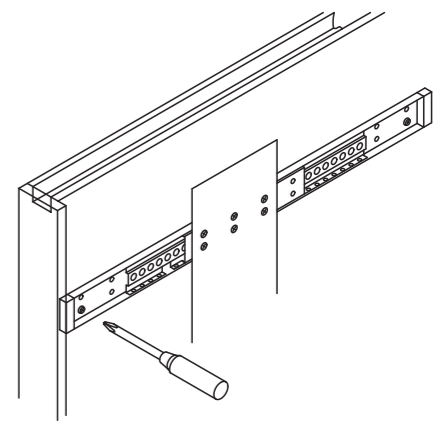
(1) Hold the Connecting plate and move it from the front end to rear end, and align the Rails so that the Connecting plate moves smoothly.
(2) Tighten the screws of the Connecting plate, and check the movement again.

4



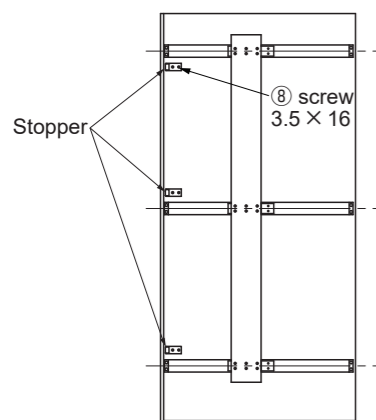
If the movement is OK, tighten the two screws firmly and check the movement again. If the movement is not smooth, do it again from procedure 3. Proceed to procedure 5.

5



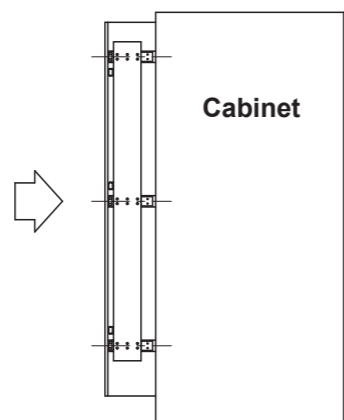
Fix the rails by screwing all of the accessible holes. Ensure all of the screws are tightened firmly.

6



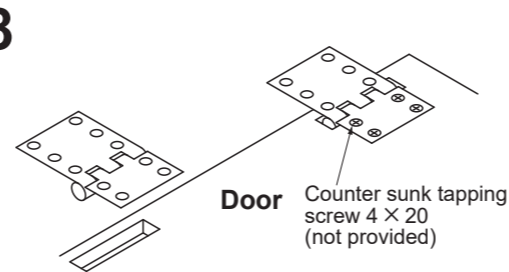
Mount Stoppers to the specified positions (see the drawing of "Side view").

7



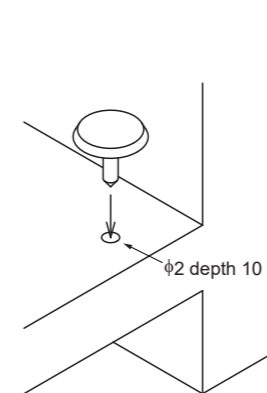
Insert the Middle board in the cabinet, but leave some part for the mounting of door.

8



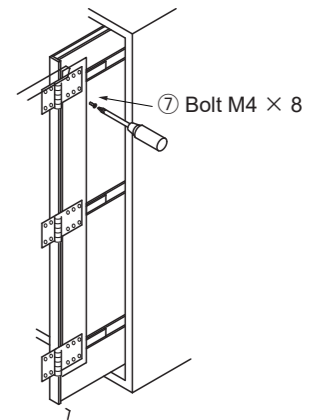
Mount Hinges to the specified positions (see the drawing of "Door processing"). The position must be correct since the hinge is not adjustable.

9



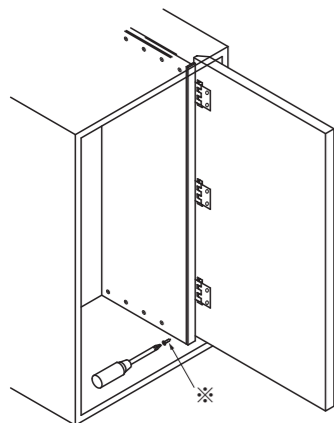
Mount Smoother to the bottom board. Pay attention not to break the foot of Smoother.

10



Mount the door to the Connecting plate on the Middle board. Ensure all of the screws are tightened firmly.

11



Insert the Middle board fully, and fix it. Check if the Middle board is straight before fixing.
* (Screws for Middle board are not provided.)

Door adjustment

Figure 1

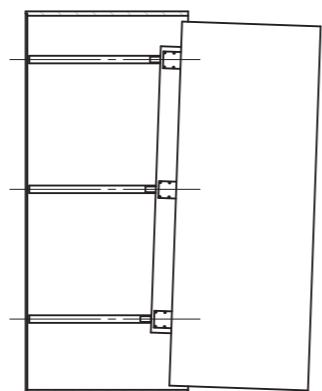
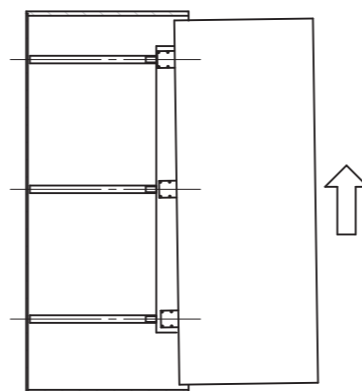


Figure 2



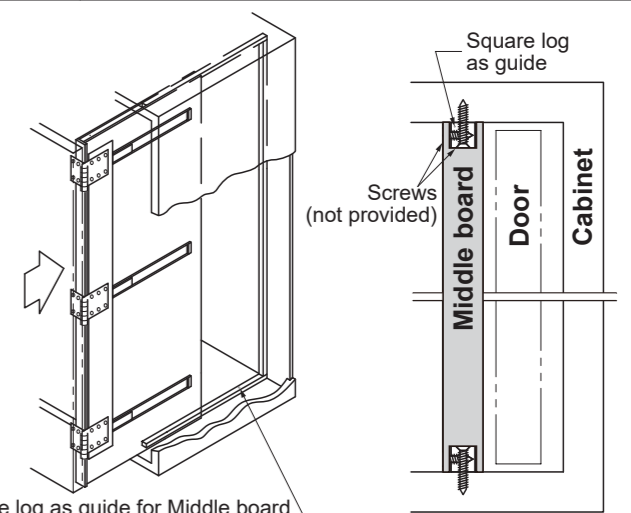
When the door is inclined like Figure 1, loosen the bolts and counter sunk screws on the hinges. Hold the door to the opposite inclination like Figure 2, then re-tighten the screws and bolts.

Recommended installation of Middle board

Make the Middle board detachable for future maintenance.

Use screws for fixing instead of nails or glue.

If it is difficult to make the Middle board detachable, make the Side board detachable instead.



SUGATSUNE KOGYO CO.,LTD
Tokyo, JAPAN
Phone: +81 (0)3 3866 2260 E-mail:export@sugatsune.co.jp

SUGATSUNE KOGYO (UK) LTD
Reading, UK
Phone: +44 118 9272 955 E-mail:sales@sugatsune.co.uk

SUGATSUNE EUROPE GmbH
Düsseldorf, GERMANY
Phone: +49 211 53812900 E-mail:sales@sugatsune.eu

SUGATSUNE SHANGHAI Co., LTD
Shanghai, CHINA
Phone: +86 21 3632 1858 E-mail:lamp@sugatsune.com.cn

SUGATSUNE KOGYO (CHINA) LTD
Guangzhou, CHINA
Phone: +86 20 6639 3552 E-mail:lamp@sugatsune.com.cn

SUGATSUNE KOGYO INDIA PRIVATE LIMITED
Mumbai, INDIA
Phone: +91 22 28314490/91 E-mail:sales@sugatsune.in

SUGATSUNE AMERICA, INC
California, USA
Phone: +1 310 329 6373 E-mail:sales@sugatsune.com

Illinois, USA
Phone: +1 630 317 7072 E-mail:sales@sugatsune.com

SUGATSUNE CANADA, INC.
Phone: +1 514 312 5267 E-mail:support@sugatsune.ca

ISO9001(Japan Offices and Sugatsune America) and ISO14001(Chiba Production division and Logistics center), certified.

2022.05 0800-2