

LAMP® HG-JHM14 DAMPER HINGE INSTALLATION INSTRUCTIONS

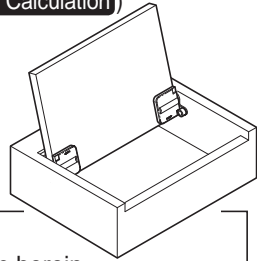
Thank you for purchasing Sugatsune products.
 Read the instructions carefully first to ensure correct installation.
 After reading the instructions and installing the product, keep this guide at hand for easy reference at any time.

Meaning of symbols

 Warning Caution	 Prohibited	 Required
--	---	---

ABOUT THE PRODUCT

- Use: dresser lids, conference table lids (for cable grommet), etc.
- Range of use: Lids of a size and weight less than the damper torque (See the **Specifications** table and **Maximum Lid Torque Calculation**)
- Operating temperature range: 0-40° C
- Merits:
 - Damper hinge equipped with Lapcon: UDH-14, Appearance of butt hinge
 - Soft downward movement when released, Smooth movement when opening
 - Simple appearance thanks to the cover which hides screws
 - Mount hole can be drilled easily by router.



⚠ Precautions for Use The possibility of injury or property damage only is assumed.

- ⊘ This product is for indoor use only. Do not use outside or anywhere where it will be exposed to water.
- ⊘ Do not use for purposes other than the intended purpose or for lids with specifications other than those shown herein.
- ⊘ Do not use excessive force to the damper as this may result in damage.
- If the operating temperature increases, the door movement becomes quicker. If the temperature decreases, movement becomes slower. This is not a mechanical problem.
- ⚠ If the released angle is less than 60 degree, damper may not work properly.

SPECIFICATIONS

In this guide, "left" refers to the left side when looking at the cabinet from the front.

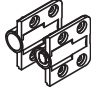


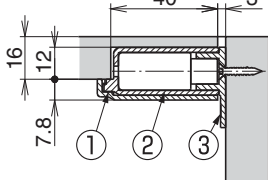
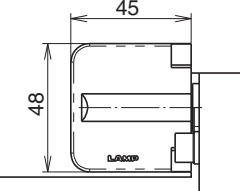
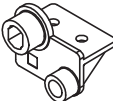
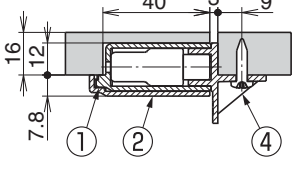
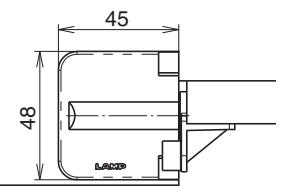
○ Parts set of Side-mounted type

Order code	Part No.	Colour	Torque N-m	Colour of shaft hole
170-031-930	HG-JHM14-S-8BL	Black	0.5 – 0.8	Purple
170-031-931	HG-JHM14-S-8WT	White		
170-031-932	HG-JHM14-S-15BL	Black	0.8 – 1.5	Blue
170-031-933	HG-JHM14-S-15WT	White		
170-031-934	HG-JHM14-S-20BL	Black	1.5 – 2.0	Green
170-031-935	HG-JHM14-S-20WT	White		

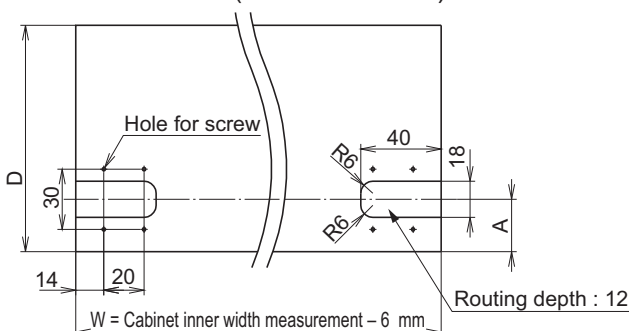
○ Side bracket for Rear-mounted type (sold separately)

Order code	Part No.	Colour
170-031-936	UKZ14-BL	Black
170-031-937	UKZ14-WT	White

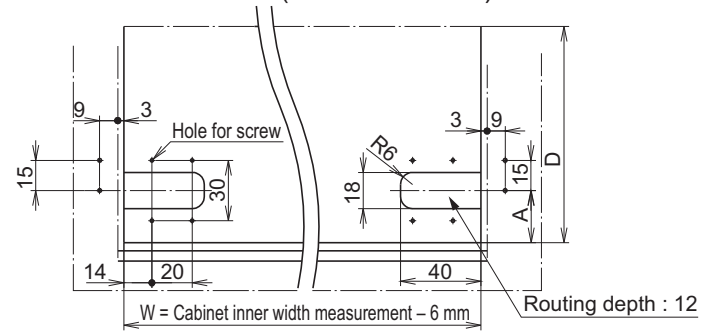
※ When making Rear-mounted type, order above parts additionally.

Side-mounted type		Rear-mounted Type	
<p>■ Component Parts</p> <p>① Bracket with damper ··· 1 pc Bracket ··· 1 pc</p>  <p>② Cover ··· 2 pcs</p>  <p>③ Side bracket ··· L/R 1 each</p>  <p>• Screws (to be supplied by the user) 8 x M4 binding head screw 4 x M3 flat countersunk head screw</p>	<p>Closed position (elevation view)</p>  <p>Opened position (90°)</p> 	<p>○ Component Parts</p> <p>① Bracket } ② Cover } Use the parts for Side-mounted type</p> <p>④ Side bracket ··· L/R 1 each (Sold separately)</p>  <p>• Screws (to be supplied by the user) 12 x M4 binding head screw</p>	<p>Closed position (elevation view)</p>  <p>Opened position (90°)</p> 

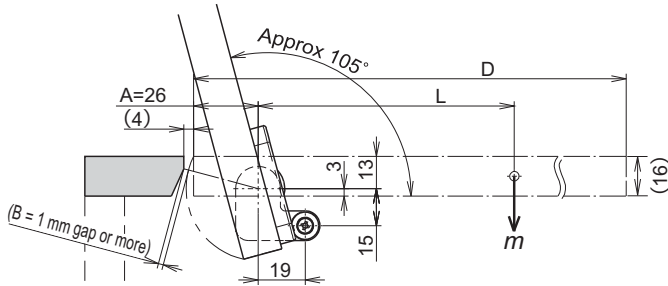
Hole location of lid (Seen from rear)



Hole location of lid (Seen from rear)



INSTALLATION EXAMPLE



- Above example shows the lid of 16 mm thickness.
- Make sure that the gap B when the lid is open is 1 mm or more.
- Provide a stopper to hold the lid at the closed position.

MAXIMUM LID TORQUE CALCULATION

$$T = m \times 9.8 \times L$$

T : Maximum lid torque (N·m)

m : Lid weight (kg)

L : Distance from rotation centre to lid centre of gravity (m)

$$L = D/2 - A$$

D : Lid length (m)

A : Length of lid back from rotation centre (m)

(Recommended range for A: 26 to 30)

(Calculation example)

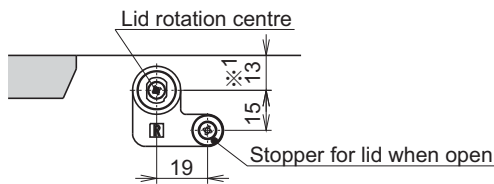
When D=0.18 m, A=0.026 m, m=0.96 kg

$$T = 0.96 \times 9.8 \times (0.18/2 - 0.026) = 0.6 \text{ (N·m)}$$

INSTALLATION PROCEDURE

Side-mounted Type

1. Install the side brackets ③.

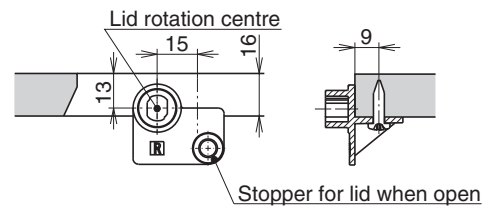


※1 : The above shows the lid and frame height in an aligned position when the lid is closed.

⚠ Be sure to install the left and right brackets correctly. (The plates are marked L and R)

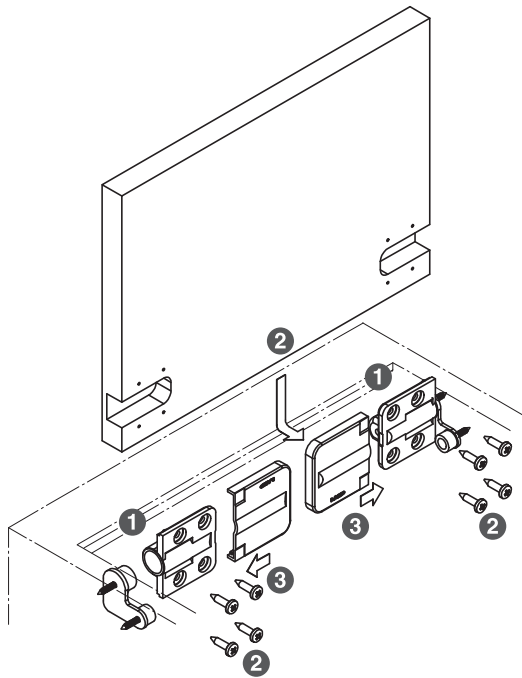
Rear-mounted Type

1. Install the side brackets ④ (sold separately).

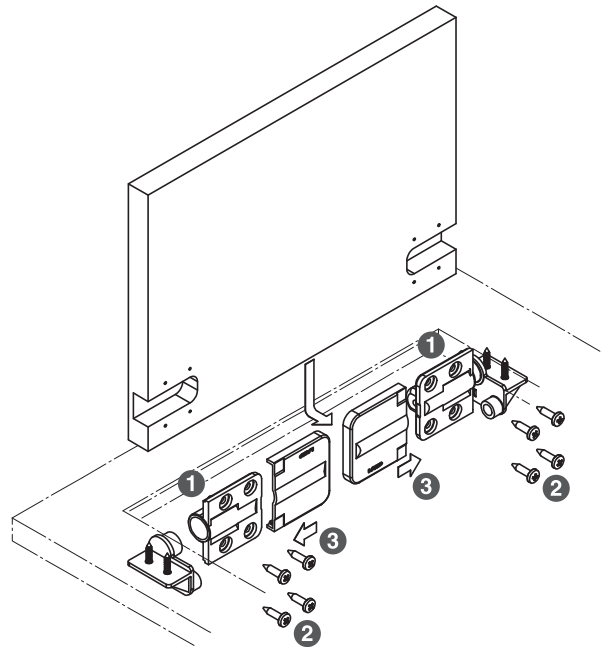


⚠ Be sure to install the left and right brackets correctly. (The plates are marked L and R)

2. Install the brackets ① and lid



2. Install the brackets ① and lid



SUGATSUNE KOGYO CO.,LTD

Tokyo, JAPAN

Phone: +81 (0)3 3866 2260 E-mail:export@sugatsune.co.jp

SUGATSUNE KOGYO (UK) LTD

Reading, UK

Phone: +44 118 9272 955 E-mail:sales@sugatsune.co.uk

SUGATSUNE EUROPE GmbH

Düsseldorf, GERMANY

Phone: +49 211 53812900 E-mail:sales@sugatsune.eu

ISO9001(Japan Offices and Sugatsune America) and ISO14001(Chiba Production division and Logistics center), certified.

SUGATSUNE SHANGHAI Co., LTD

Shanghai, CHINA

Phone: +86 21 3632 1858 E-mail:lamp@sugatsune.com.cn

Guangzhou, CHINA

Phone: +86 20 6639 3552 E-mail:lamp@sugatsune.com.cn

SUGATSUNE KOGYO INDIA PRIVATE LIMITED

Mumbai, INDIA

Phone: +91 22 28314490/91 E-mail:sales@sugatsune.in

SUGATSUNE AMERICA, INC

California, USA

Phone: +1 310 329 6373 E-mail:sales@sugatsune.com

Chicago, USA

Phone: +1 312 461 1081 E-mail:chicagoshowroom@sugatsune.com.

SUGATSUNE CANADA, INC.

Phone: +1 514 312 5267 E-mail:support@sugatsune.ca