

LAMP® HG-JHM14 DAMPER HINGE INSTALLATION INSTRUCTIONS

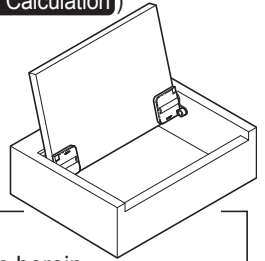
Thank you for purchasing Sugatsune products.
 Read the instructions carefully first to ensure correct installation.
 After reading the instructions and installing the product, keep this guide at hand for easy reference at any time.

Meaning of symbols

| | | |
|--|---|---|
|  Warning Caution |  Prohibited |  Required |
|--|---|---|

ABOUT THE PRODUCT

- Use: dresser lids, conference table lids (for cable grommet), etc.
- Range of use: Lids of a size and weight less than the damper torque (See the **Specifications** table and **Maximum Lid Torque Calculation**)
- Operating temperature range: 0-40° C
- Merits:
 - Damper hinge equipped with Lapcon: UDH-14, Appearance of butt hinge
 - Soft downward movement when released, Smooth movement when opening
 - Simple appearance thanks to the cover which hides screws
 - Mount hole can be drilled easily by router.



⚠ Precautions for Use The possibility of injury or property damage only is assumed.

- ⊘ This product is for indoor use only. Do not use outside or anywhere where it will be exposed to water.
- ⊘ Do not use for purposes other than the intended purpose or for lids with specifications other than those shown herein.
- ⊘ Do not use excessive force to the damper as this may result in damage.
- If the operating temperature increases, the door movement becomes quicker. If the temperature decreases, movement becomes slower. This is not a mechanical problem.
- ⚠ If the released angle is less than 60 degree, damper may not work properly.

SPECIFICATIONS

In this guide, "left" refers to the left side when looking at the cabinet from the front.

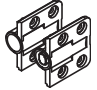


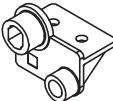
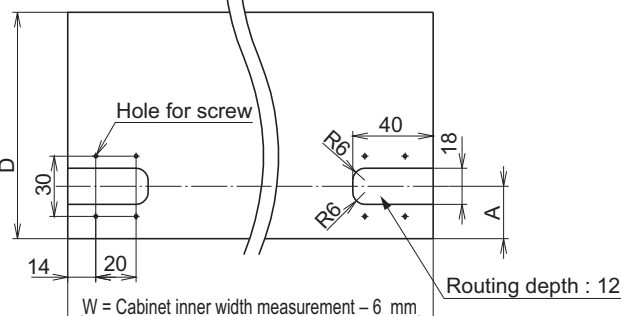
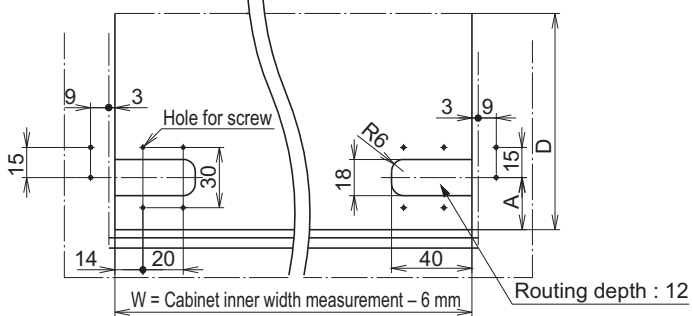
○ Parts set of Side-mounted type

| Order code | Part No. | Colour | Torque N·m | Colour of shaft hole |
|-------------|-----------------|--------|------------|----------------------|
| 170-031-930 | HG-JHM14-S-8BL | Black | 0.5 – 0.8 | Purple |
| 170-031-931 | HG-JHM14-S-8WT | White | | |
| 170-031-932 | HG-JHM14-S-15BL | Black | 0.8 – 1.5 | Blue |
| 170-031-933 | HG-JHM14-S-15WT | White | | |
| 170-031-934 | HG-JHM14-S-20BL | Black | 1.5 – 2.0 | Green |
| 170-031-935 | HG-JHM14-S-20WT | White | | |

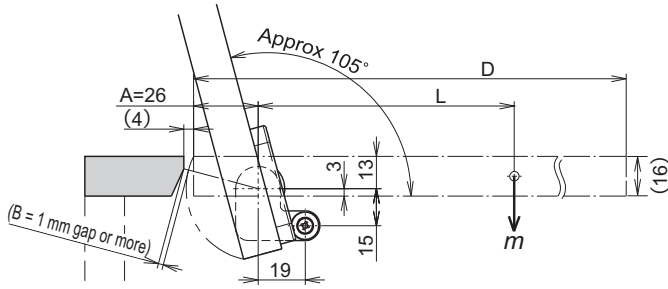
○ Side bracket for Rear-mounted type (sold separately)

| Order code | Part No. | Colour |
|-------------|----------|--------|
| 170-031-936 | UKZ14-BL | Black |
| 170-031-937 | UKZ14-WT | White |

※ When making Rear-mounted type, order above parts additionally.

| Side-mounted type | Rear-mounted Type |
|--|---|
| <p>■ Component Parts</p> <p>① Bracket with damper ··· 1 pc Bracket ··· 1 pc</p>  <p>② Cover ··· 2 pcs</p>  <p>③ Side bracket ··· L/R 1 each</p>  <p>• Screws (to be supplied by the user) 8 x M4 binding head screw 4 x M3 flat countersunk head screw</p> | <p>■ Component Parts</p> <p>① Bracket } ② Cover } Use the parts for Side-mounted type</p> <p>④ Side bracket ··· L/R 1 each (Sold separately)</p>  <p>• Screws (to be supplied by the user) 12 x M4 binding head screw</p> |
| <p>Hole location of lid (Seen from rear)</p>  <p>W = Cabinet inner width measurement – 6 mm Routing depth : 12</p> | <p>Hole location of lid (Seen from rear)</p>  <p>W = Cabinet inner width measurement – 6 mm Routing depth : 12</p> |

INSTALLATION EXAMPLE



- Above example shows the lid of 16 mm thickness.
- Make sure that the gap B when the lid is open is 1 mm or more.
- Provide a stopper to hold the lid at the closed position.

MAXIMUM LID TORQUE CALCULATION

$$T = m \times 9.8 \times L$$

T : Maximum lid torque (N·m)

m : Lid weight (kg)

L : Distance from rotation centre to lid centre of gravity (m)

$$L = D/2 - A$$

D : Lid length (m)

A : Length of lid back from rotation centre (m)

(Recommended range for A: 26 to 30)

(Calculation example)

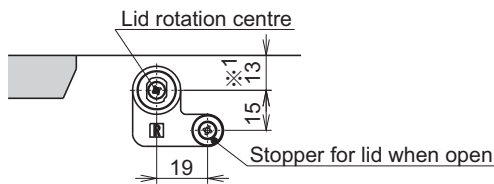
When D=0.18 m, A=0.026 m, m=0.96 kg

$$T = 0.96 \times 9.8 \times (0.18/2 - 0.026) = 0.6 \text{ (N·m)}$$

INSTALLATION PROCEDURE

Side-mounted Type

1. Install the side brackets ③.

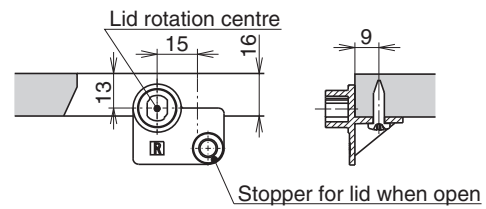


※¹ : The above shows the lid and frame height in an aligned position when the lid is closed.

⚠ Be sure to install the left and right brackets correctly.
(The plates are marked L and R)

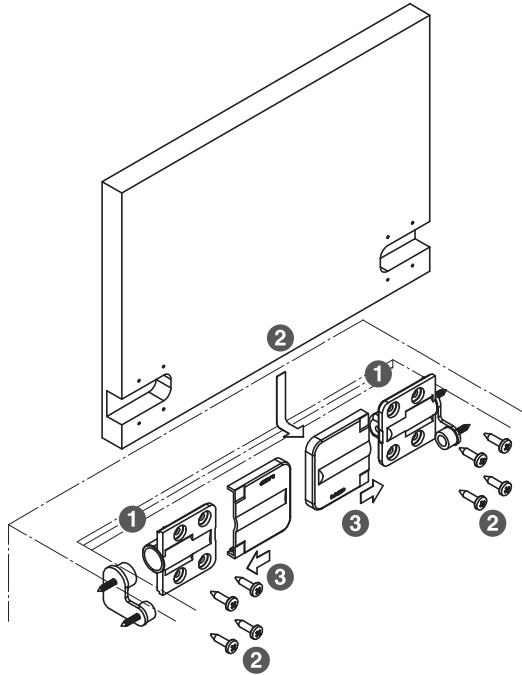
Rear-mounted Type

1. Install the side brackets ④ (sold separately).

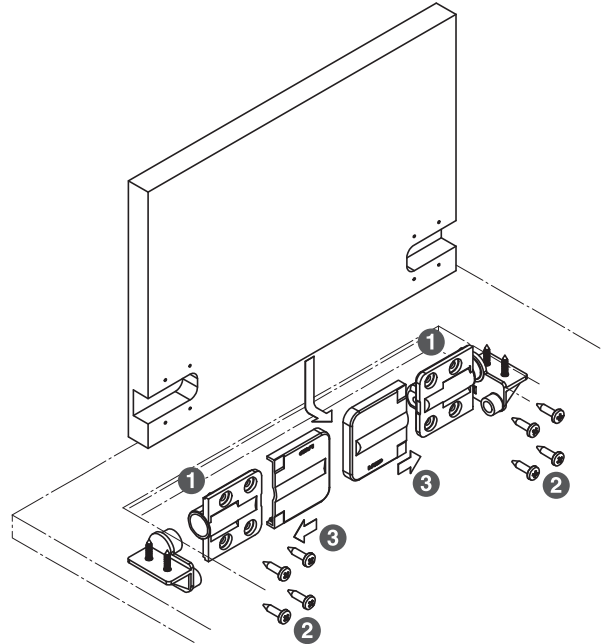


⚠ Be sure to install the left and right brackets correctly.
(The plates are marked L and R)

2. Install the brackets ① and lid



2. Install the brackets ① and lid



SUGATSUNE KOGYO CO., LTD.
Tokyo, JAPAN
Phone: +81 3 3866 2260
E-mail: export@sugatsune.co.jp

SUGATSUNE KOGYO (UK) LIMITED
Reading, UK
Phone: +44 1189 272 955
E-mail: sales@sugatsune.co.uk

SUGATSUNE EUROPE GmbH
Düsseldorf, GERMANY
Phone: +49 211 53812 900
E-mail: sales@sugatsune.eu

SUGATSUNE AMERICA, INC.
California, USA
Phone: +1 310 329 6373
E-mail: sales@sugatsune.com

Chicago, USA
Phone: +1 630 317 7072
E-mail: sales@sugatsune.com

SUGATSUNE CANADA, INC.
Montreal, CANADA
Phone: +1 514 312 5267
E-mail: support@sugatsune.ca

SUGATSUNE SHANGHAI CO., LTD.
Shanghai, CHINA
Phone: +86 21 3632 1858
E-mail: lamp@sugatsune.com.cn

Guangzhou, CHINA
Phone: +86 20 6639 3554
E-mail: lamp@sugatsune.com.cn

SUGATSUNE KOREA CO., LTD.
Incheon, KOREA
Phone: +82 32 220 0603
E-mail: sales@sugatsune-korea.co.kr

SUGATSUNE KOGYO INDIA PRIVATE LIMITED
Mumbai, INDIA
Phone: +91 9867299597
E-mail: sales@sugatsune.in

Delhi, INDIA
Phone: +91 9867299597
+91 11 45093636
E-mail: sales@sugatsune.in