

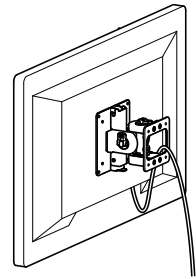
LAMP® KA-T100S50 Monitor Mount Installation Manual



Thank you for selecting our product. Before starting installation, please read this manual thoroughly to ensure correct installation. Please keep this manual at hand for future reference.

ABOUT THE PRODUCT

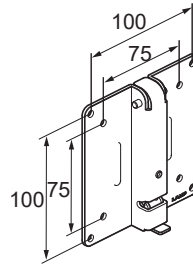
- Monitor mount with free stop
- Clip-on to install Main body and Mounting plates.
- Swivel : 180°, Tilt : 40°.



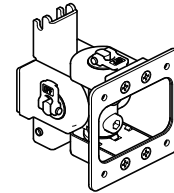
APPLICABLE MONITOR

Max. Weight	10 kg
Hole pattern	75×75, 100×100 (VESA)

COMPONENT PARTS



Mounting plate (for monitor): 1pcs



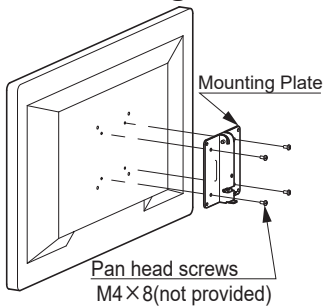
Main body: 1pcs

ITEMS TO BE PREPARED

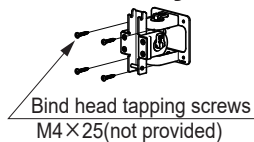
- Pan head screws M4×8 : 4 pcs
- Bind head screw M4×8 : 25 pcs

INSTALLATION PROCEDURE

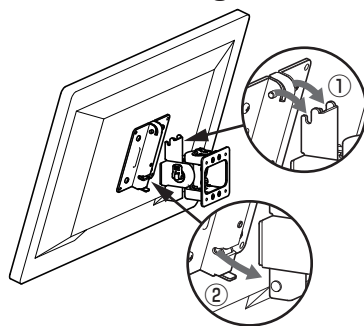
1 Mounting Plate



2 Main Body



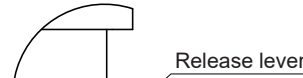
3 Assembling the Monitor



Caution
Be sure to assemble the body and the mounting plate from the same package delivered.

Caution

- ❗ Make sure that the release lever is at the locked position. If not, the mounting plate may be disconnected when the monitor is moved.

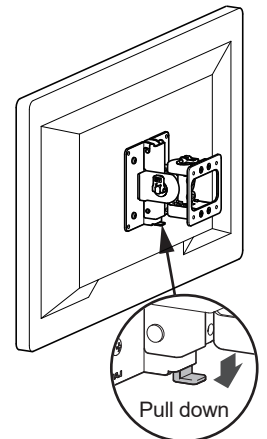


○ Locked(no gap)

○ If any gap left, push the release lever completely.

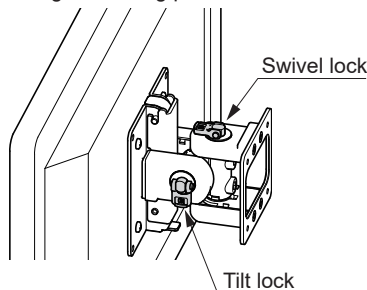
✗ Unlocked(with gap)

4 How to Remove



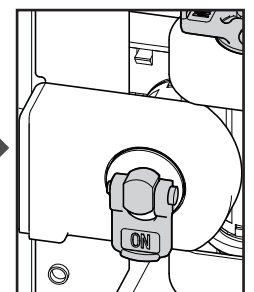
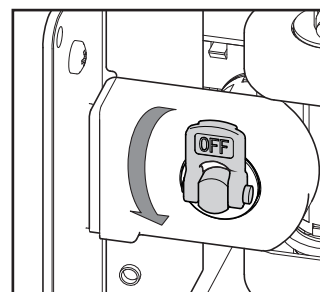
HOW TO LOCK SWIVEL AND TILT

You can lock the angle of monitor when it is mounted on a slight vibrating place.



1. Turn lock lever downward from OFF status.

2. "ON" is visible when locked.



Above drawings show tilt lock. The way of swivel lock is the same.

Caution
Lock lever may pop out if you try to move the monitor when it is locked. Do not move the monitor when it is locked.

SUGATSUNE KOGYO CO., LTD.
Tokyo, JAPAN
Phone: +81 3 3866 2260
E-mail: export@sugatsune.co.jp

SUGATSUNE KOGYO (UK) LIMITED
Reading, UK
Phone: +44 1189 272 955
E-mail: sales@sugatsune.co.uk

SUGATSUNE EUROPE GmbH
Düsseldorf, GERMANY
Phone: +49 211 53812 900
E-mail: sales@sugatsune.eu

SUGATSUNE AMERICA, INC.
California, USA
Phone: +1 310 329 6373
E-mail: sales@sugatsune.com

Chicago, USA
Phone: +1 630 317 7072
E-mail: sales@sugatsune.com

SUGATSUNE CANADA, INC.
Montreal, CANADA
Phone: +1 514 312 5267
E-mail: support@sugatsune.ca

SUGATSUNE SHANGHAI CO., LTD.
Shanghai, CHINA
Phone: +86 21 3632 1858
E-mail: lamp@sugatsune.com.cn

Guangzhou, CHINA
Phone: +86 20 6639 3554
E-mail: lamp@sugatsune.com.cn

SUGATSUNE KOREA CO., LTD.
Incheon, KOREA
Phone: +82 32 220 0603
E-mail: sales@sugatsune-korea.co.kr

SUGATSUNE KOGYO INDIA PRIVATE LIMITED
Mumbai, INDIA
Phone: +91 9867299597
E-mail: sales@sugatsune.in
Delhi, INDIA
Phone: +91 9867299597
+91 11 45093636
E-mail: sales@sugatsune.in