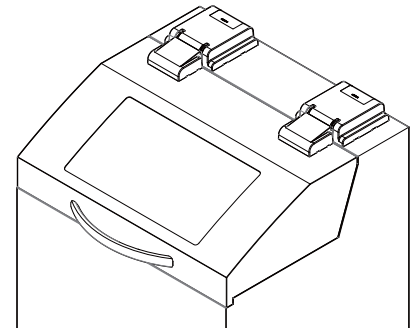


LAMP® HG-PA270

Lift Assist Hinge Installation Manual

Thank you for selecting our product. Before starting installation, please read this manual thoroughly to ensure correct installation. Please keep this manual at hand for future reference.



ABOUT THE PRODUCT

- Hinge for upward opening
- The built-in spring lets you open the lid lightly.

FOR YOUR SAFE WORK AND CORRECT INSTALLATION

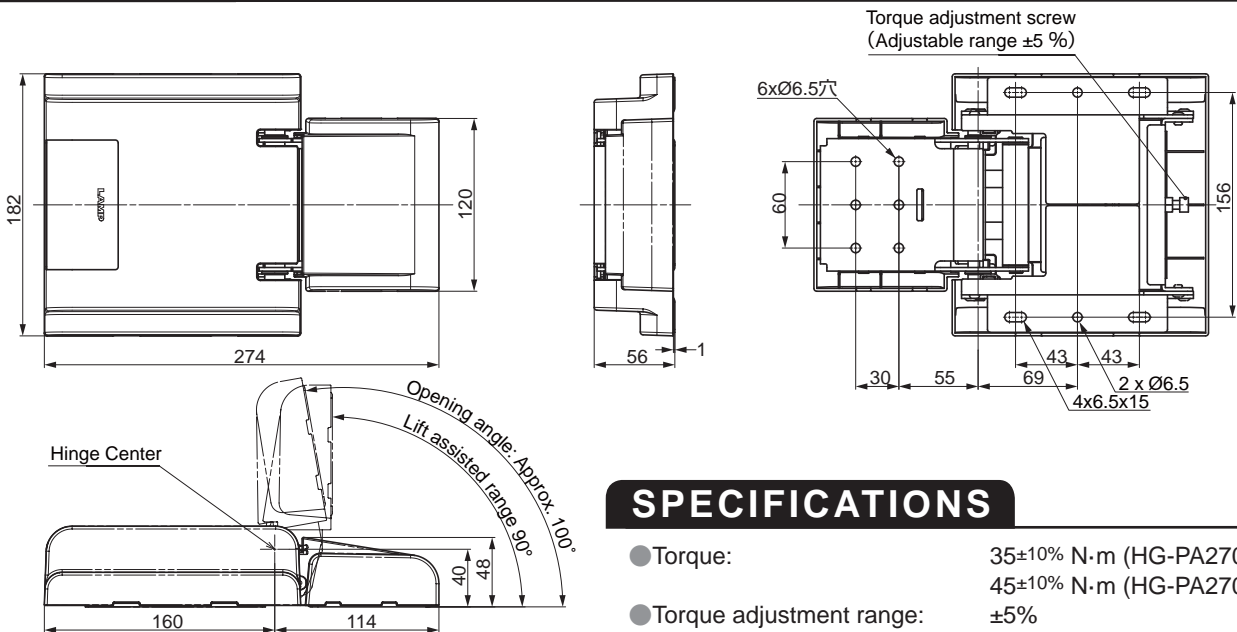
Meaning of symbols



⚠ Caution: If these cautions are not followed, it may result in injury or damage.

- ⚠ It is necessary to manufacture the cabinet with sufficient strength so as to endure the weight of the lid.
- ⚠ Do not put an unbalanced load to the hinges.
- ⚠ Use more than 2 hinges per lid and adjust hinge center.
- ⚠ Provide a stopper to prevent the hinges from opening beyond the full opening angle and damage. Hinges may be damaged if no stopper is provided.
- ⚠ To lay down cabinet may lead to injury or damages for parts and hinges. Please use locks to prevent sudden open in that case.
- ⊘ This product is for indoor use only. Do not use outside or anywhere it will be exposed to water.
- ⊘ Do not open/close the hinges repeatedly.

DIMENSIONS



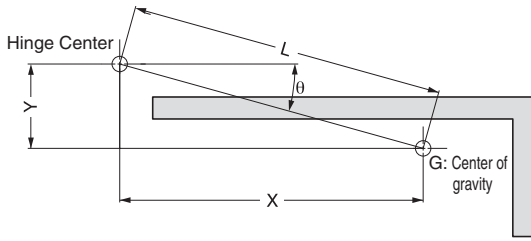
SPECIFICATIONS

- Torque: 35±10% N·m (HG-PA270-35)
45±10% N·m (HG-PA270-45)
- Torque adjustment range: ±5%
- Operating temperature range: 0 - 40° C
- Lift assist angle: 0 - 90°
- Opening angle: 0 - 100°
(Torque free range: 90° - 100°)

- Fixing screws are not included. Please prepare for screws with suitable length.

1 Maximum Lid Torque Calculation

Calculation formula: $Mu = W \times L \times \cos \theta$



X	Horizontal distance from hinge center to center of gravity
Y	Vertical distance from hinge center to center of gravity
L	Distance from hinge center to center of gravity
θ	Angle from hinge center to center of gravity
W	Lid weight
G	Center of gravity

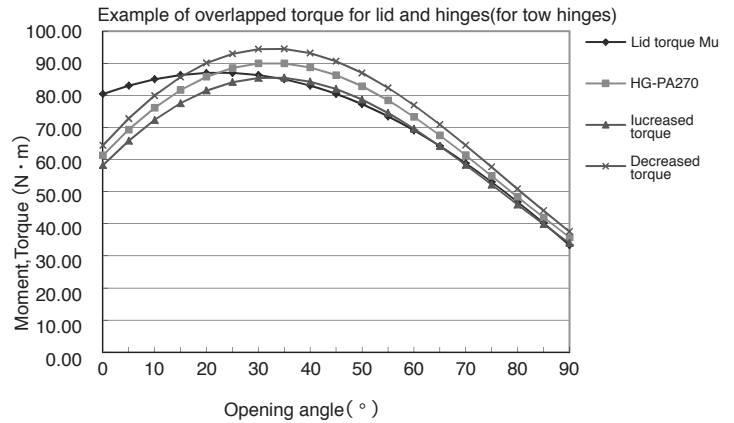
2 Relationship between lid torque and hinge torque

The chart shows an ideal example of lid torque and hinge torque.

Lid torque $Mu >$ Hinge torque · · · Lid will close.
Lid torque $Mu <$ Hinge torque · · · Lid will open.

■ Please confirm whether hinges move correctly if Lid torque Mu is Max or Min.

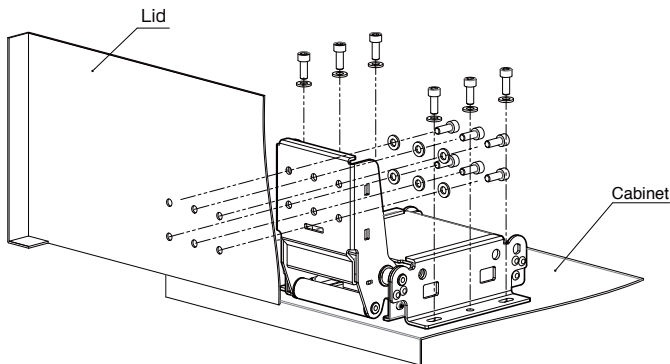
Example of lid size: X = 29 cm, Y = -14 cm, L = 32.2 cm, W = 11.0 kg



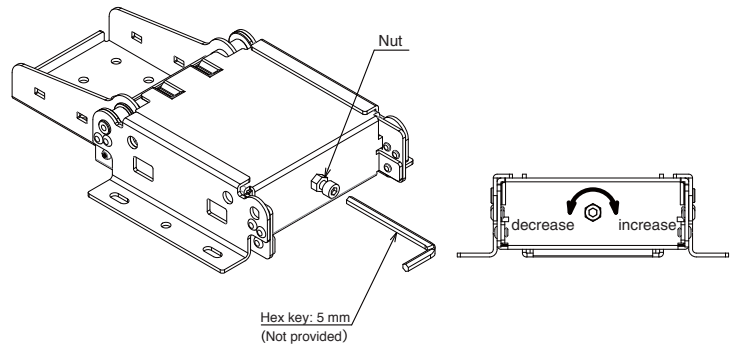
INSTALLATION PROCEDURE

1 Installing hinges

- ① Mount hinges to cabinet
Fixing screws: M6 6 pcs
- ② Fix the lid with opening hinges
Fixing screws: M6 6 pcs



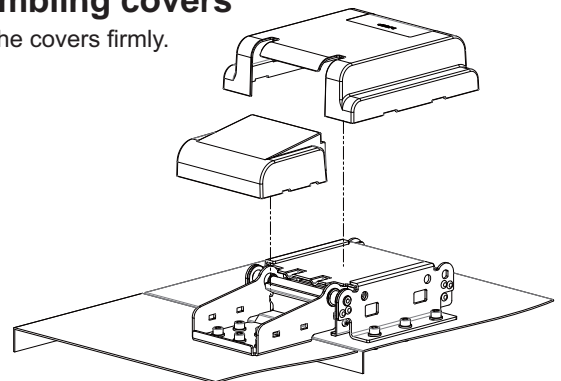
2 Torque adjustment



- ① Loosen the nut of adjustment screw.
- ② Adjust the torque by turning the screw.
Adjust torque in order to fit the moment of lid.
- ③ Tighten the nut.

3 Assembling covers

Mount the covers firmly.



SUGATSUNE KOGYO CO.,LTD.
Tokyo, JAPAN
Phone: +81 (0)3 3866 2260
E-mail: export@sugatsune.co.jp

SUGATSUNE EUROPE GmbH
Düsseldorf, GERMANY
Phone: +49 211 53812900
E-mail: info@sugatsune.eu

SUGATSUNE SHANGHAI Co., LTD.
Shanghai, CHINA
Phone: +86 21 3632 1858
E-mail: lamp@sugatsune.com.cn

SUGATSUNE AMERICA, INC.
California, USA
Phone: +1 310 329 6373
E-mail: sales@sugatsune.com

SUGATSUNE KOGYO (UK) LTD.
Reading, UK
Phone: +44 118 9272 955
E-mail: sales@sugatsune.co.uk

SUGATSUNE KOGYO INDIA PRIVATE LIMITED
Mumbai, INDIA
Phone: +91 22 28314490/91
E-mail: sales@sugatsune.in

Guangzhou, CHINA
Phone: +86 20 6639 3552
E-mail: lamp@sugatsune.com.cn

Chicago, USA
Phone: +1 312 461 1081
E-mail: chicagoshowroom@sugatsune.com