

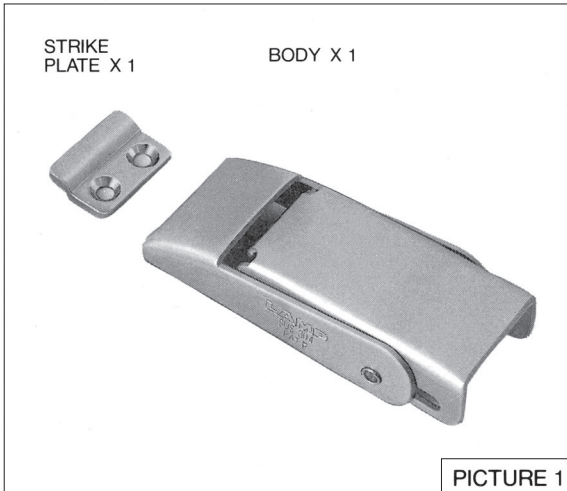
LAMP®

STF-80

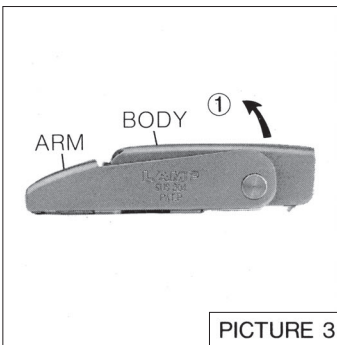
DRAW LATCH (SPRING LOADED)

INSTALLATION INSTRUCTION

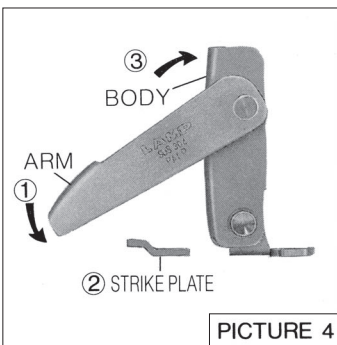
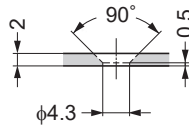
Please read instruction sheet carefully and thoroughly for proper installation.

■ The parts described below are for one fastener.

Note: Installation screws are not enclosed. Please prepare 4 pcs M4 flat head screw separately.

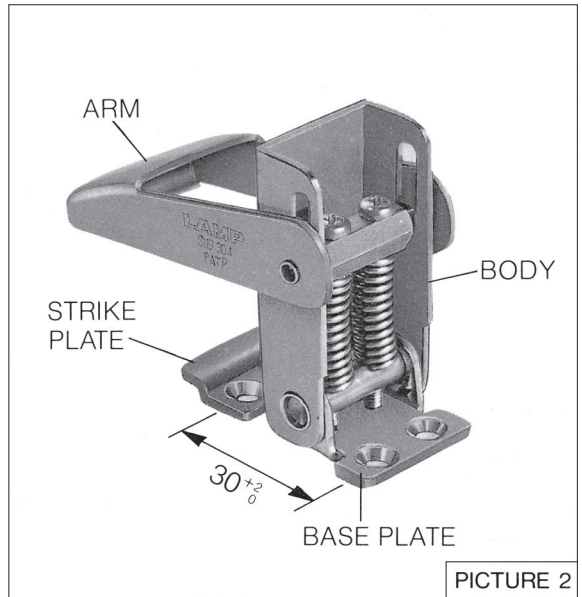
■ How to operate

To release open:
Lift up body.

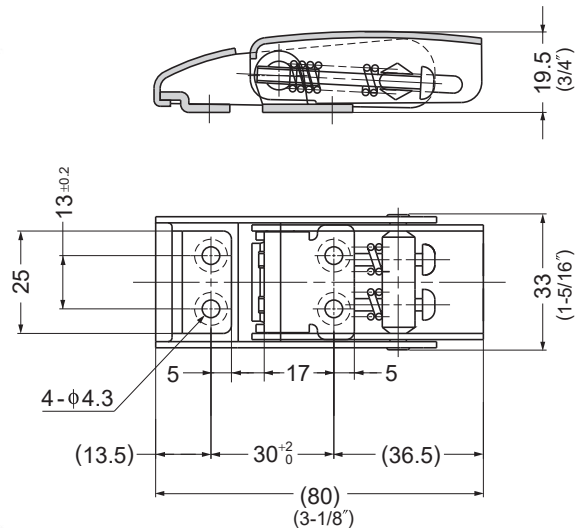


To fasten:
Hook arm ① on to strike plate ② properly. Pull and push down body ③.

Note:
Do not push body down when arm is not hooked on to strike plate properly as it may damage the product.

■ PARTS DESCRIPTION**■ How to mount**

Place strike plate and base plate at the right positions, referring to the above picture, and mount them with the installation screws. Make sure of the 32^{±0.2} mm (1.18"–1.26") distance between hole centers of strike plate and base plate to secure proper installation.

■ Specifications

Material: 18-8 stainless steel

Finish : Satin

Note: Do not exceed 6 kgs.(13 lbs.) of push down force.

SUGATSUNE KOGYO CO.,LTD
Tokyo, JAPAN
Phone: +81 (0)3 3866 2260 E-mail:export@sugatsune.co.jp

SUGATSUNE KOGYO (UK) LTD
Reading, UK
Phone: +44 118 9272 955 E-mail:sales@sugatsune.co.uk

SUGATSUNE EUROPE GmbH
Düsseldorf, GERMANY
Phone: +49 211 53812900 E-mail:sales@sugatsune.eu

SUGATSUNE SHANGHAI Co., LTD
Shanghai, CHINA
Phone: +86 21 3632 1858 E-mail:lamp@sugatsune.com.cn

Guangzhou, CHINA
Phone: +86 20 6639 3552 E-mail:lamp@sugatsune.com.cn

SUGATSUNE KOGYO INDIA PRIVATE LIMITED
Mumbai, INDIA
Phone: +91 22 28314490/91 E-mail:sales@sugatsune.in

SUGATSUNE AMERICA, INC
California, USA
Phone: +1 310 329 6373 E-mail:sales@sugatsune.com

Illinois, USA
Phone: +1 630 317 7072 E-mail:sales@sugatsune.com

SUGATSUNE CANADA, INC.
Phone: +1 514 312 5267 E-mail:support@sugatsune.ca