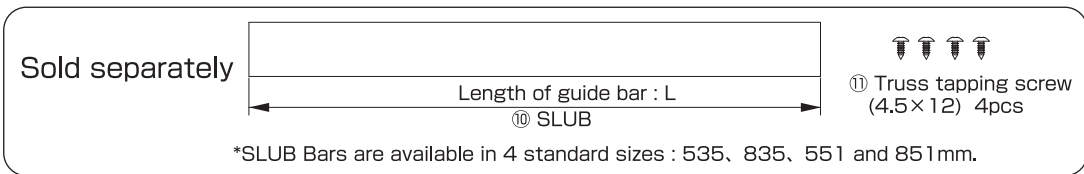
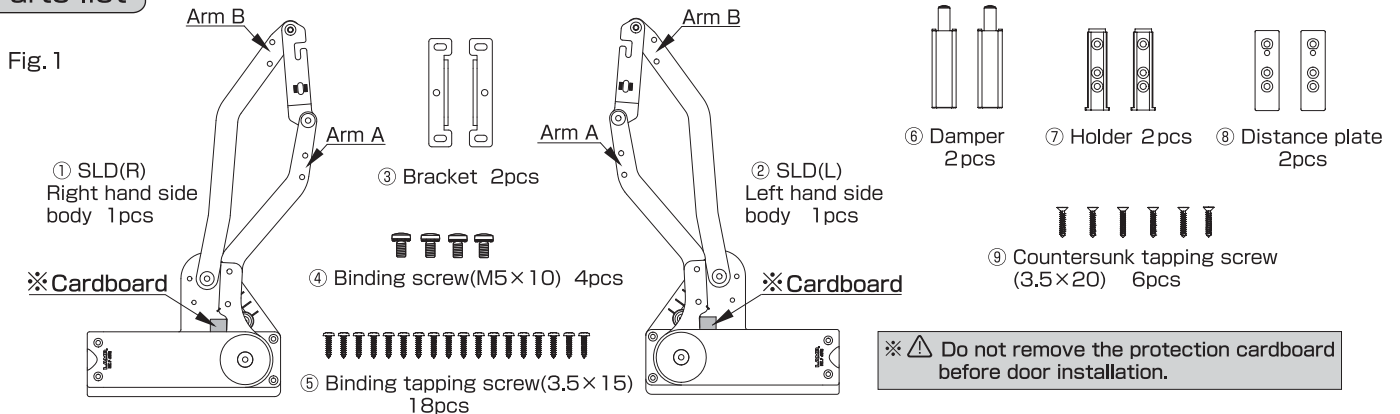


For proper installation and operation, we recommend that you read and follow these instructions carefully.

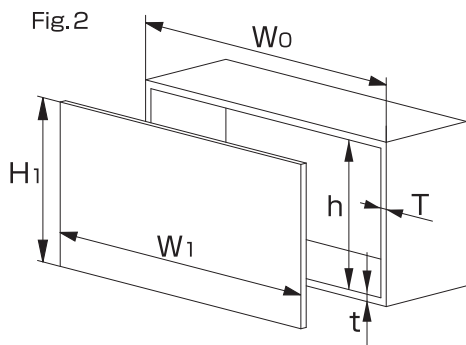
- Sugatsune cannot accept any claim for damages or injuries caused by improper use of this swing lift-up stay. Please refer to the "Model Selection" section below for the proper range of use.
- Sugatsune's liability is limited to the repair or replacement of a defective product. It shall in no way extend to the assembly as a whole.
- The utmost care was taken during the production of the SLD. Should you however notice any defect, please notify your local dealer or Sugatsune (export@sugatsune.co.jp).
- The warranty period extends to one year from the shipping date.
- Operating temperature is 5~35°C. Function may vary depending on the temperature.

- ⚠ Do not force the door open past its fully opened position.
- ⚠ Do not use in excessively hot environment such as to hide an oven.
- ⚠ Do not insert your hand or finger between the arms as this may lead to severe injury.
- ⚠ Never attempt to open or disassemble the mechanism as this may lead to injury.

Parts list



Model selection



W_0 = Cabinet width
 T = Cabinet side panel thickness
 h = Cabinet inside height
 t = Cabinet bottom board thickness
 W_1 = Door width
 H_1 = Door height

Applicable door weight:

SLD-3	3.0~4.0 kg
SLD-4	4.0~5.0 kg
SLD-5	5.0~6.0 kg

Door size:

Width (W_1)	600, 900mm
Height (H_1)	360~400mm

Select the SLD type according to the weight of the door (including the handle).

SLUB bar needs to be cut depending on the cabinet width W_0 and side panel thickness T .

Bar length L will depend on whether it is installed on Arm A or Arm B (see Fig. 1).

Arm A installation: $L = W_0 - (T \times 2) - 35$

Arm B installation: $L = W_0 - (T \times 2) - 19$

SUGATSUNE KOGYO CO.,LTD
 Tokyo, JAPAN
 Phone: +81 (0)3 3866 2260 E-mail:export@sugatsune.co.jp

SUGATSUNE KOGYO (UK) LTD
 Reading, UK
 Phone: +44 118 9272 955 E-mail:sales@sugatsune.co.uk

SUGATSUNE EUROPE GmbH
 Düsseldorf, GERMANY
 Phone: +49 211 53812900 E-mail:sales@sugatsune.eu

SUGATSUNE SHANGHAI Co., LTD
 Shanghai, CHINA
 Phone: +86 21 3632 1858 E-mail:lamp@sugatsune.com.cn

Guangzhou, CHINA
 Phone: +86 20 6639 3552 E-mail:lamp@sugatsune.com.cn

SUGATSUNE KOGYO INDIA PRIVATE LIMITED
 Mumbai, INDIA
 Phone: +91 22 28314490/91 E-mail:sales@sugatsune.in

SUGATSUNE AMERICA, INC
 California, USA
 Phone: +1 310 329 6373 E-mail:sales@sugatsune.com

Chicago, USA
 Phone: +1 312 461 1081 E-mail:chicagoshowroom@sugatsune.com.

SUGATSUNE CANADA, INC.
 Phone: +1 514 312 5267 E-mail:support@sugatsune.ca

Dimensions

Rubber gasket thickness A
(3 is recommended)

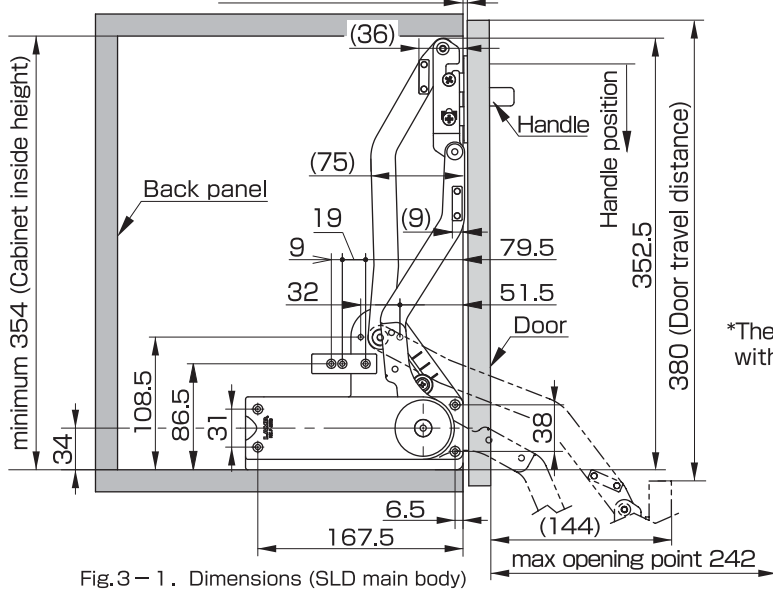


Fig. 3-1. Dimensions (SLD main body)

D (D distance to door edge)

$$B = 302 + t - C$$

$$D = 13 + T - \left(\frac{W_0 - W_1}{2} \right)$$

W_0 = Cabinet width

T = Cabinet side panel thickness

t = Cabinet bottom board thickness

W_1 = Door width

C = Clearance (minimum 2.0)

*The drawing shows the application for the cabinet with 3mm thick seal gasket on front edge.

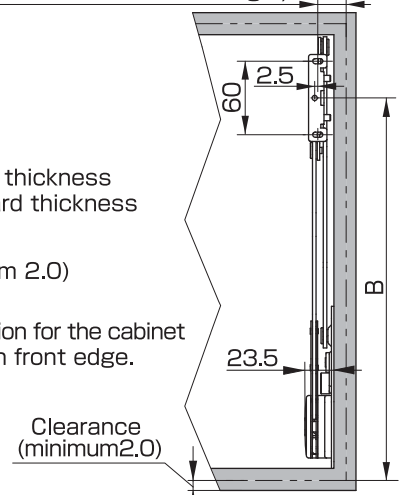


Fig. 3-2. Dimensions (Bracket)

Installation

1. Body installation:

- Line up SLD body ① and ② with the bottom and front of the cabinet and secure with screws ⑤ (Fig. 3-1 and Fig. 4).

※Do not remove the protection cardboard before door installation.

2. Door installation:

- Hang the door through the long hole using a screw ④ in the top bracket ③ hole and tighten the screw.

- Secure assembly with a screw ④ through the bottom hole.

Remark: when installing the handle on the door, we recommend that it is installed in a position lower than bracket ③ as shown on Fig. 3-1.

- Open the door and remove the protection cardboard on both sides. (Fig. 6)

3. Bar installation:

- Cut the bar to the necessary length as per instructions in the "Model Selection" section.
- Install the bar to either arm A or arm B depending on the dimensions selected above.
Arm A installation is recommended for wooden doors as bar is not visible in the open position.
Arm B installation is recommended for glass door as bar is less visible in the closed position.

4. Damper installation:

- Line the distance plate ⑧ and the holder ⑦ with the holes for the damper (Fig. 8) and secure them with screws ⑨.
- Slide the damper ⑥ into the holder from the front side.

⑤ Binding tapping screw (3.5×15)

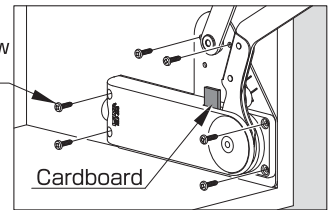


Fig. 4

④ Binding screw (M5×10)

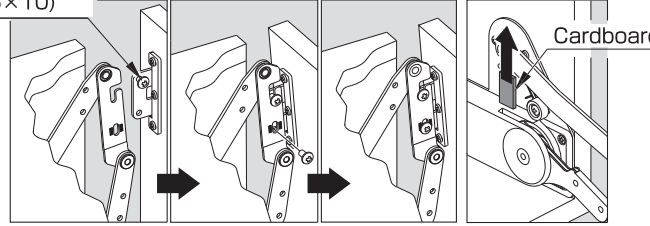


Fig. 5

Fig. 6

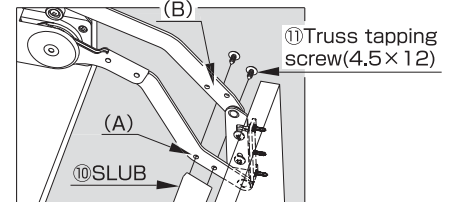


Fig. 7

⑨ Countersunk tapping screw (3.5×20)

⑦ Holder

⑧ Distance plate

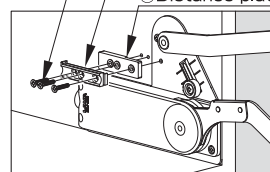


Fig. 8

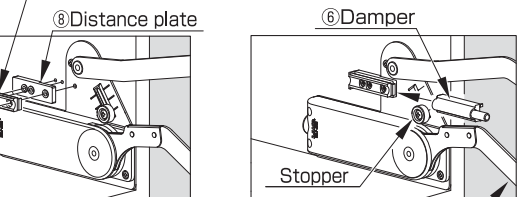
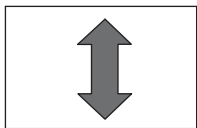


Fig. 9

Adjustment



- Loosen both a screws
- Adjust door height
- Refasten both a screws securely

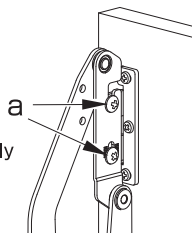
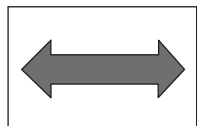
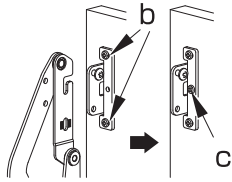


Fig. 10



- Remove the door
- Loosen both screws (b)
- Adjust bracket ③ position horizontally and fasten screws (b)
- Hang the door to confirm position and then secure assembly with screw (c)



Cabinet

Door

- Loosen both e screws on both sides
- Adjust height of the opened door similarly on both sides.
- Refasten both e screws securely

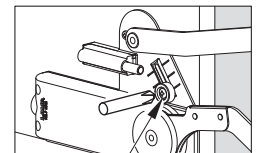


Fig. 11

Spring strength adjustment:

Turn the screw at the back of stay body to adjust the spring strength.

- △ Spring strength should be adjusted similarly on both units.
- △ Do not set the spring strength too high as the door may open violently and damage the system.

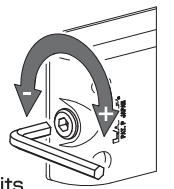


Fig. 12