

LAMP® HG-KNT LIFT-OFF TORQUE HINGE Installation Manual

Video Link



Thank you for selecting our product. Before starting installation, please read this manual thoroughly to ensure correct installation.

Please keep this manual at hand for future reference.

ABOUT THE PRODUCT

- Torque hinge for swing door, suitable for wide range of equipment (OA, FA, physical and chemical, automatic equipment).
- Detachable feature enables easy dismantling of door.

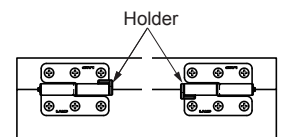
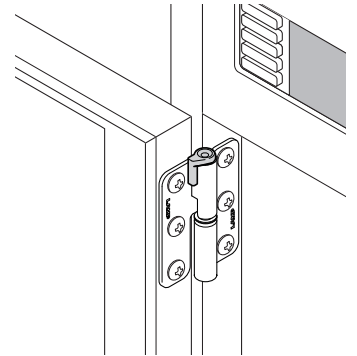
FOR YOUR SAFE WORK AND CORRECT INSTALLATION

Meaning of symbols

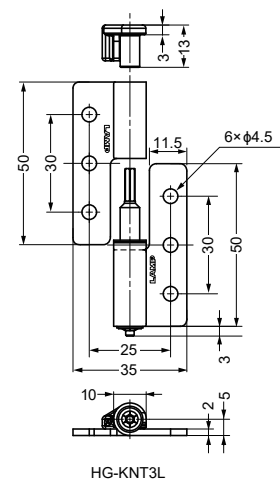
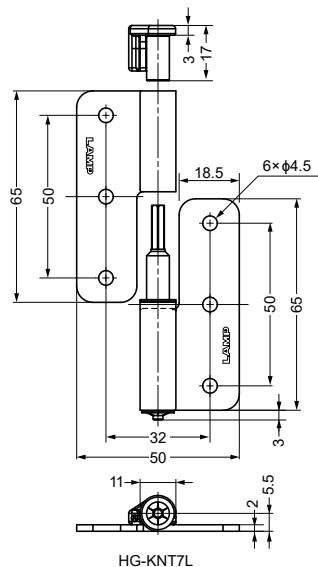
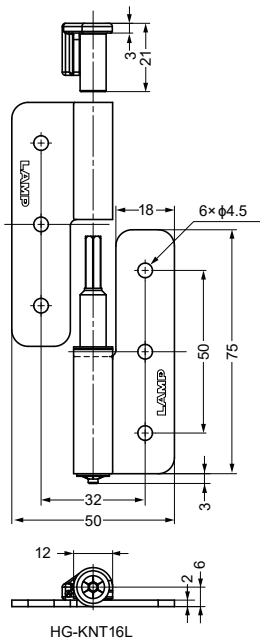


⚠ Caution: If not followed, injury or damage may result.

- ❗ Do not apply eccentric load on the hinges.
- ❗ Use two hinges per door and align the axis of both hinges.
- ⊘ Indicated torque in SPECIFICATION shows the value at the time of shipment. It may vary after using.
- ⊘ This product is for indoor use only. Do not use outside or anywhere where it will be exposed to water.
- ⊘ While the hinges can be mounted horizontally, you need to mount the hinges in the face to face position to prevent the lid from dropping off. This means you need to give up the feature of detachability.
- ⊘ Do not open/close the hinges repeatedly.



DIMENSIONS



SPECIFICATIONS

Item Code	Part No.	Type	Torque (N·m/pc)	Torque (kgf·cm/pc)
170-035-380	HG-KNT3L	Left handed	0.3 ±67%	3.1 ±67%
170-035-381	HG-KNT3R	Right handed		
170-035-382	HG-KNT7L	Left handed	0.7 ±36%	7.1 ±36%
170-035-383	HG-KNT7R	Right handed		
170-035-384	HG-KNT16L	Left handed	1.6 ±20%	16.3 ±20%
170-035-385	HG-KNT16R	Right handed		

WHEN USING FOR LID

1 Lid Torque Calculation

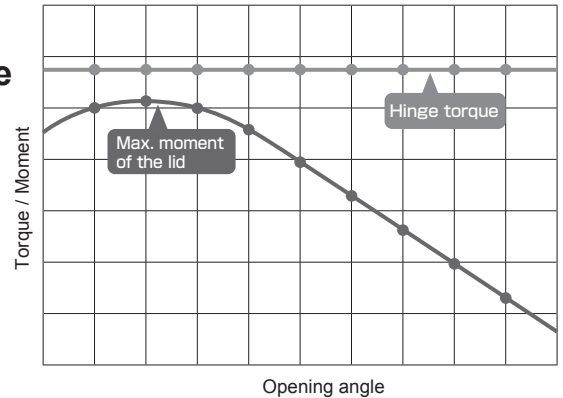
Moment of lid = Horizontal distance from hinge center to center of gravity x Weight of lid

Max. moment of lid = Max. horizontal distance from hinge center to center of gravity x Weight of lid

2 Relationship between lid torque and hinge torque

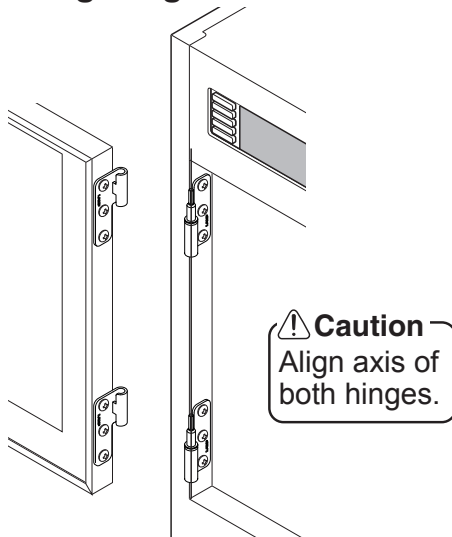
- Hinges suite the application when the torque of the hinges exceeds the max. moment of the lid.

*Moment of the lid varies by the opening angle.

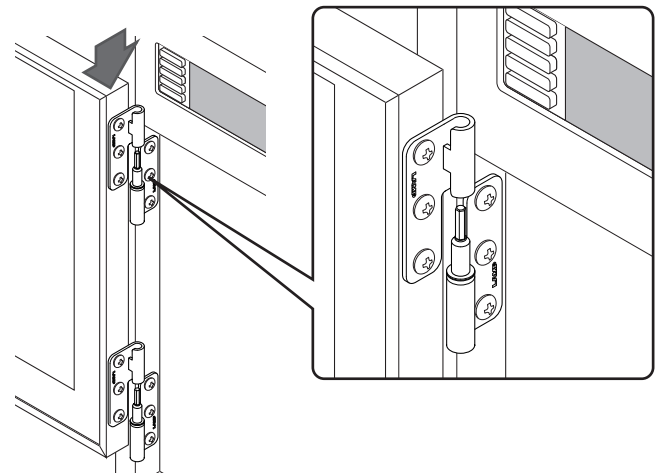


INSTALLATION PROCEDURE

1 Mounting Hinges



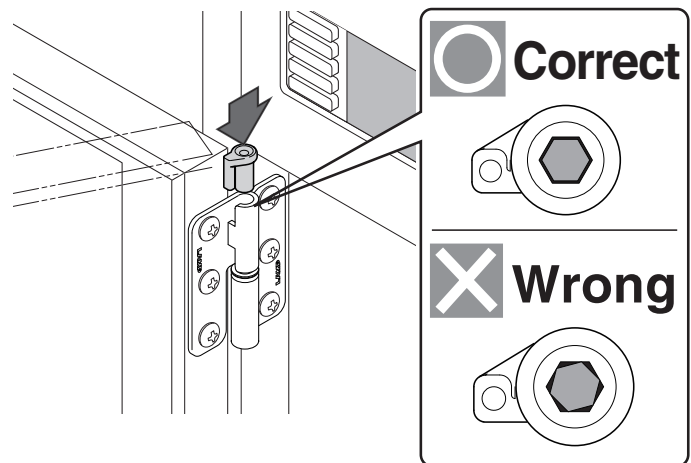
2 Hanging Door



3 Inserting Holder

While open/close the door, fit the hole of holder to the hexagonal shaft of hinge.

Do not force to insert the holder. This may result in damage.



SUGATSUNE KOGYO CO., LTD.
Tokyo, JAPAN
Phone: +81 3 3866 2260
E-mail: export@sugatsune.co.jp

SUGATSUNE KOGYO (UK) LIMITED
Reading, UK
Phone: +44 1189 272 955
E-mail: sales@sugatsune.co.uk

SUGATSUNE EUROPE GmbH
Düsseldorf, GERMANY
Phone: +49 211 53812 900
E-mail: sales@sugatsune.eu

SUGATSUNE AMERICA, INC.
California, USA
Phone: +1 310 329 6373
E-mail: sales@sugatsune.com

Chicago, USA
Phone: +1 630 317 7072
E-mail: sales@sugatsune.com

SUGATSUNE CANADA, INC.
Montreal, CANADA
Phone: +1 514 312 5267
E-mail: support@sugatsune.ca

SUGATSUNE SHANGHAI CO., LTD.
Shanghai, CHINA
Phone: +86 21 3632 1858
E-mail: lamp@sugatsune.com.cn

Guangzhou, CHINA
Phone: +86 20 6639 3554
E-mail: lamp@sugatsune.com.cn

SUGATSUNE KOREA CO., LTD.
Incheon, KOREA
Phone: +82 32 220 0603
E-mail: sales@sugatsune-korea.co.kr

SUGATSUNE KOGYO INDIA PRIVATE LIMITED
Mumbai, INDIA
Phone: +91 9867299597
E-mail: sales@sugatsune.in
Delhi, INDIA
Phone: +91 9867299597
+91 11 45093636
E-mail: sales@sugatsune.in