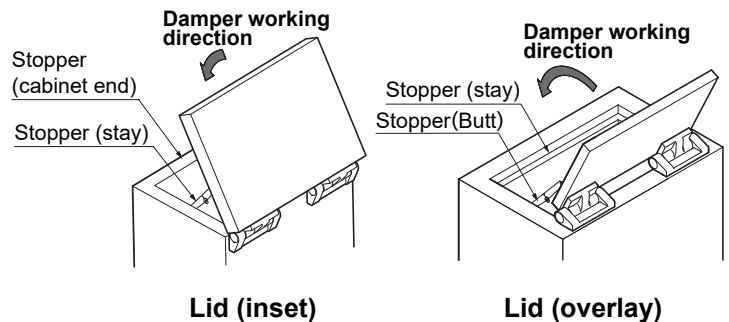


Thank you for using our product. Before installation, please read this manual thoroughly to ensure correct installation. Please keep this manual at hand for future reference.

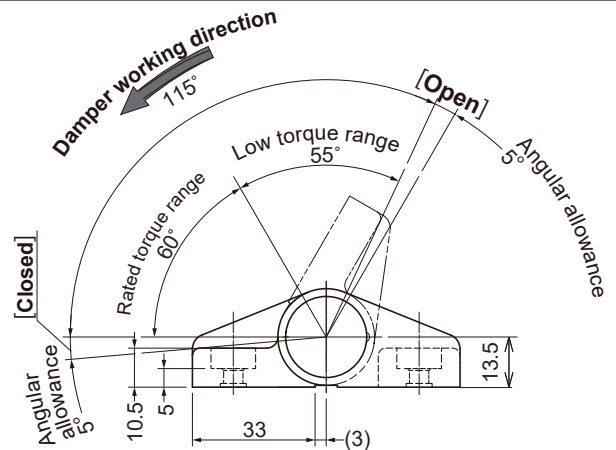
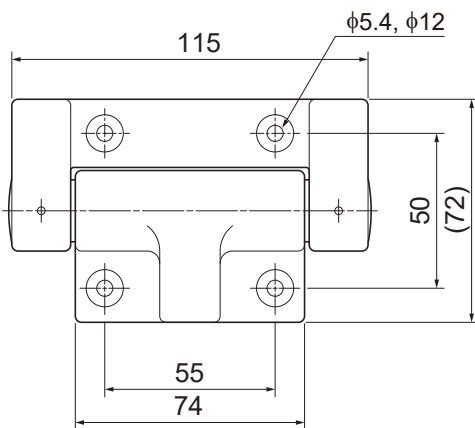
APPLICABLE LID AND DOOR

Lid (external fitting)		Downward opening door (internal fitting)
Overlay	Inset	

APPLICATION EXAMPLES



DIMENSIONS



FOR YOUR SAFE WORK AND CORRECT INSTALLATION

Meaning of symbols

Warning Caution	Prohibited	Required
------------------------	-------------------	-----------------

Caution If not followed injury or damage may result.

- ⚠ This product should be mounted on a surface which has enough strength to hold the moment of the lid. If not, the lid may fall and cause injury.
- ⊘ Do not use this product for applications outside of its specification.
- ⚠ Use stays and stoppers with the dampers to prevent over rotation. If not the damper may be damaged.
- ⚠ Align the axis of both hinges. If not, malfunction or damage will result.
- ⚠ When mounting the hinges to an inclined surface, contact us.
- ⊘ Do not use excessive force as this may result in damage.
- ⚠ If the lid is released at a low angle, the damper may not work properly.
- ⚠ If the operating temperature increases, the door movement becomes quicker. If the temperature decreases, movement becomes slower. This is not a mechanical problem.
- ⚠ Due to the large torque, it would be difficult to move back if the hinge was rotated to opening direction. Take care not to over rotate the hinge.

ITEMS TO BE PREPARED

- Screws (not provided): Hexagon socket head bolt M5 4 pcs,
Plain washer (5 mm) 4 pcs

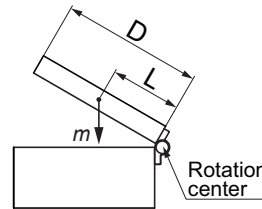
SPECIFICATIONS

Item name	Torque ※ ¹ N·m [kgf·cm]	Marking
HG-JHW50	6- 10 [61.2- 102]	White marking at back
HG-JHW70	10- 14 [102- 142.8]	Non-marking

※¹ The figure shows the torque of two hinges per lid.

Ambient temperature: 0 to 40° C
Ambient humidity: Max. 90% RH

MAXIMUM LID TORQUE CALCULATION



$$T = m \times 9.8 \times L$$

T: Maximum lid torque (N·m)

m: Lid weight (kg)

D: Lid length(m)

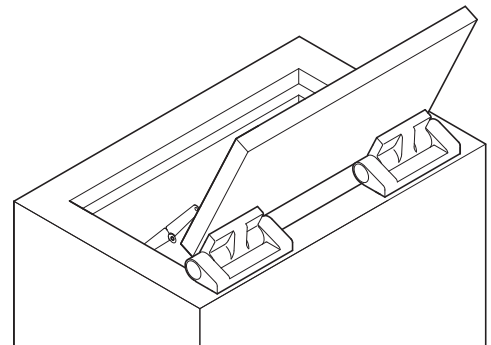
A: Length of lid back from rotation center(m)

L: Distance from rotation center to lid center of gravity/(m)

$$L = D/2 - A$$

INSTALLATION

- [1] Mount the hinge onto the cabinet or lid.
- [2] Rotate the hinge to the low torque range (60° - 115°), then fasten onto the lid or cabinet.
- [3] Verify that the lid movement is OK.



SUGATSUNE KOGYO CO.,LTD
Tokyo, JAPAN

Phone: +81 (0)3 3866 2260 E-mail:export@sugatsune.co.jp

SUGATSUNE KOGYO (UK) LTD
Reading, UK

Phone: +44 118 9272 955 E-mail:sales@sugatsune.co.uk

SUGATSUNE EUROPE GmbH
Düsseldorf, GERMANY

Phone: +49 211 53812900 E-mail:sales@sugatsune.eu

SUGATSUNE SHANGHAI Co., LTD
Shanghai, CHINA

Phone: +86 21 3632 1858 E-mail:lamp@sugatsune.com.cn

Guangzhou, CHINA

Phone: +86 20 6639 3552 E-mail:lamp@sugatsune.com.cn

SUGATSUNE KOGYO INDIA PRIVATE LIMITED
Mumbai, INDIA

Phone: +91 22 28314490/91 E-mail:sales@sugatsune.in

SUGATSUNE AMERICA, INC
California, USA

Phone: +1 310 329 6373 E-mail:sales@sugatsune.com

Chicago, USA

Phone: +1 312 461 1081 E-mail:chicagoshowroom@sugatsune.com.

SUGATSUNE CANADA, INC.

Phone: +1 514 312 5267 E-mail:support@sugatsune.ca