

# LAMP® HG-JHWG Torque Damper Hinge Installation Instruction



Please follow these instructions carefully for proper use.

Meanings of Pictographs	
	A matter which needs to be attended to.
	A matter which must not be done.
	A matter which must be done.

- The Product can be fitted to any of the three types of doors shown at right.
- Use the Product within the prescribed load torque range (see the table in **Specifications**).
- An excessive load torque can cause damage to the Product.
- Provide a door stopper to prevent the Product from turning beyond the prescribed range (see **Damper Effective Angle** and **Application Examples**).
- Make sure that the part to which the Product is fitted has sufficient strength.

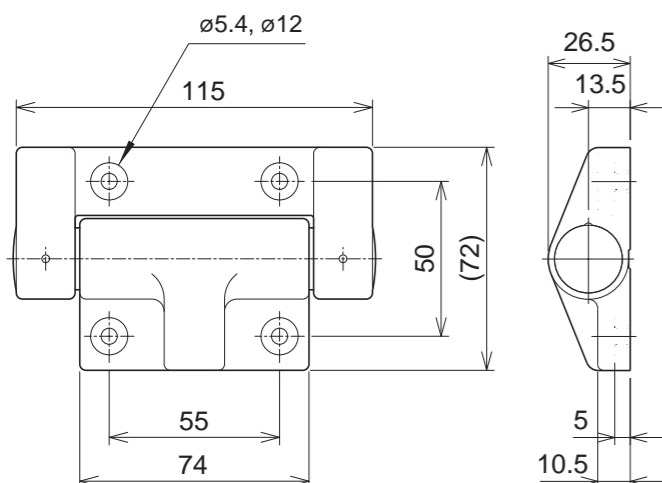
Door types		
Downward-opening door (external fitting)		Upper cover (internal fitting)
Overlay coverage	Inset	

- When an attempt is made to manually turn the Product in the damper working direction, the load torque becomes so large in the rated torque range (55 to about 115 degrees) that the Product may not be turned to the "Closed" side (see **Damper Effective Angle**).
- When more than one hinge is used for a door, fit them paying attention to the shaft alignment. An off-center shaft can increase the load or prevent smooth hinge operation.
- If it is necessary to fit the Product onto an inclined plane, consult our company.

## CAUTIONS

- Do not force the door to close faster in damper effective direction. It can cause damage to the Product.
- When the door opening angle is small, the dampers may not work smoothly.
- The damper characteristic is affected at room temperature. This is not mechanical problem.

## Dimensions



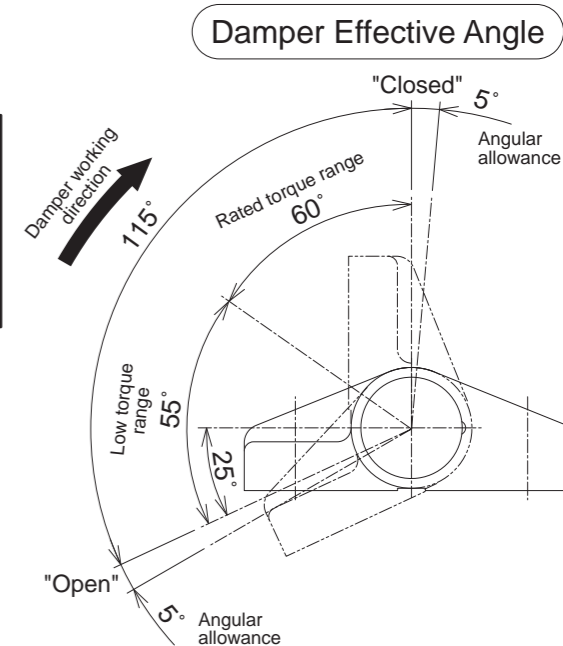
Screws not included  
 Recommended screw and washer:  
 M5 hexagon socket head screw ×4,  
 washer 5 mm in nominal diameter ×4  
 (for one hinge)

## Specifications

Item no.	Torque * kgf·cm [N·cm]	Classification
HG-JHW50G	61.2-102 [600-1000]	White and red marking at back
HG-JHW70G	102-142.8 [1000-1400]	Red marking at back

\* The torque indicated is at 2 pcs use.

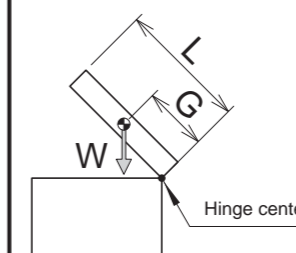
Operating temperature: 0 to 40° C  
 Operating humidity: Max. 90% RH



## Installation Procedure

1. Fit the hinges to the cabinet.
2. Turn the hinges to any angle in the low torque range (about 0 to 55 degrees) and fit the door to the cabinet.
3. Open and close the door repeatedly to check that it operates smoothly.

## Torque Calculation



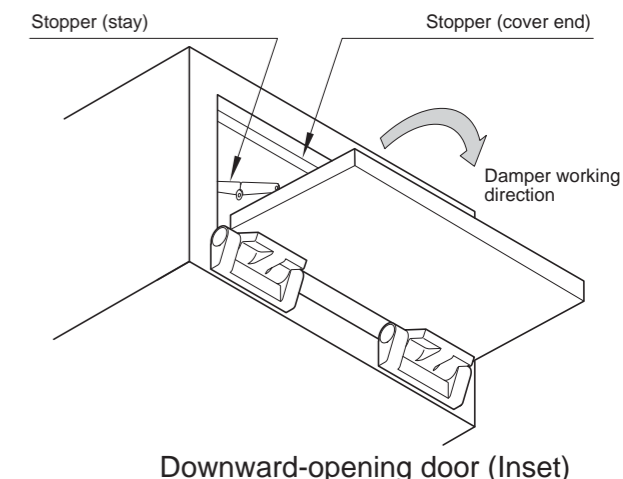
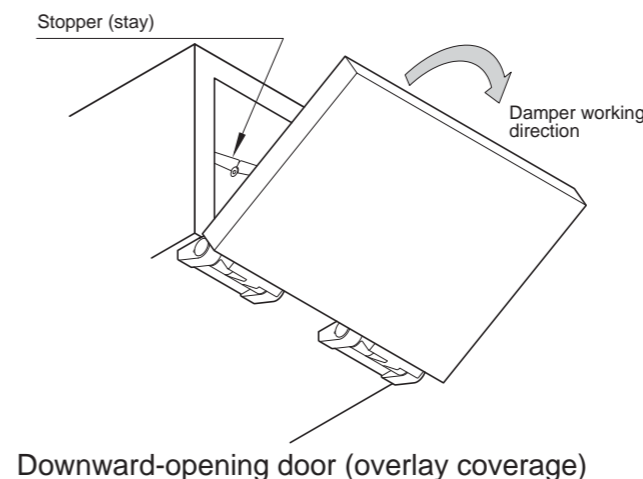
W : Door weight  
 L : Door height  
 G : The distance from hinge center to door center of gravity  
 = L / 2 \* When the door is uniform in shape

$$\text{Torque} = \text{Door height} \times 1/2 \times \text{Door weight (kgf·cm)}$$



Even when the hinges are manually turned in the rated torque range (55 to about 115 degrees), it automatically returns to about 55 degrees when it is released. Fit the door at an angle at which the hinges do not automatically return (low torque range-about 0 to 55 degrees) even when they are released (see **Damper Effective Angle**).

## Application Examples



**SUGATSUNE KOGYO CO.,LTD**  
 Tokyo, JAPAN  
 Phone: +81 (0)3 3866 2260 E-mail:export@sugatsune.co.jp

**SUGATSUNE KOGYO (UK) LTD**  
 Reading, UK  
 Phone: +44 118 9272 955 E-mail:sales@sugatsune.co.uk

**SUGATSUNE EUROPE GmbH**  
 Düsseldorf, GERMANY  
 Phone: +49 211 53812900 E-mail:sales@sugatsune.eu

**SUGATSUNE SHANGHAI Co., LTD**  
 Shanghai, CHINA  
 Phone: +86 21 3632 1858 E-mail:lamp@sugatsune.com.cn

**SUGATSUNE KOGYO (CHINA) LTD**  
 Guangzhou, CHINA  
 Phone: +86 20 6639 3552 E-mail:lamp@sugatsune.com.cn

**SUGATSUNE KOGYO INDIA PRIVATE LIMITED**  
 Mumbai, INDIA  
 Phone: +91 22 28314490/91 E-mail:sales@sugatsune.in

**SUGATSUNE AMERICA, INC**  
 California, USA  
 Phone: +1 310 329 6373 E-mail:sales@sugatsune.com

**SUGATSUNE KOGYO (USA) LTD**  
 Chicago, USA  
 Phone: +1 312 461 1081 E-mail:chicagoshowroom@sugatsune.com

**SUGATSUNE CANADA, INC.**  
 Phone: +1 514 312 5267 E-mail:support@sugatsune.ca

