

# LAMP® SOFT CLOSING MECHANISM FOR INSET RECEDING DOOR: INSTALLATION INSTRUCTION

IF-102S(SINGLE-TYPE) IF-102W(DOUBLE-TYPE)  
IF-H102S(SINGLE-TYPE) IF-H102W(DOUBLE-TYPE)



Thank you for selecting our product. Before starting installation, please read this manual thoroughly to ensure correct installation. Please keep this manual at hand for future reference.

## ABOUT THE PRODUCT

• This product is a set of stays and hinges for an inset receding door.

## SPECIFICATIONS

TYPE	IF-102S	IF-102W	IF-H102S	IF-H102W
DOOR WIDTH	less than 1,200 mm			
DOOR THICKNESS(T)	15-20 mm		18-30 mm	
TORQUE MOMENT <sub>c</sub>	1.96-6.86N·m (20-70kgf·cm)	3.9-13.7N·m (40-140kgf·cm)	1.96-6.86N·m (20-70kgf·cm)	3.9-13.7N·m (40-140kgf·cm)

Note: ※<sup>1</sup> Door height × 1/2 × door weight.

## DIMENSIONAL INFORMATION

	IF-102S & IF-102W		IF-H102S & IF-H102W	
	B	RECOMMENDED DOOR HEIGHT	B	RECOMMENDED DOOR HEIGHT
AL-78-14	263.7 + T ※ <sup>2</sup>	298.7 + T	260.9 + T	295.9 + T
AL-78-16	314.5 + T	349.5 + T	311.7 + T	346.7 + T
AL-78-19	390.7 + T	425.7 + T	387.9 + T	422.9 + T
AL-78-24	517.7 + T	552.7 + T	514.9 + T	549.9 + T

※<sup>2</sup> T=Door thickness (mm)

## PARTS REQUIRED PER CABINET

① Bracket	② AL-78 RAIL	③ DR-19-B2 ROLLER	④ SC-107-13 INSERT
⑤ F-15 SLIDER	⑥ GUARD PLATE(※ <sup>3</sup> )	⑦ Screw-A(M4 × 8)	⑧ Screw-B(M3.5 × 6)
		⑨ Screw-C(3.5 × 16, Bind tapping)	⑩ Screw-D(3.5 × 16, oval tapping)
⑪ 230-C26/19T HINGE	⑫ H230-C26/26T HINGE	⑬ 230-P4W-32T MOUNTING PLATE	⑭ NSDX35(L/R)K SOFT-DOWN STAY

	IF-102		IF-H102	
	IF-102S	IF-102W	IF-H102S	IF-H102W
①	2			
②	1 pair 14", 16", 19" or 24"			
③	2			
④	2			
⑤	2			
⑥	4			
⑦	14			
⑧	6			
⑨	36			
⑩	4			
⑪	2	2	-	-
⑫	-	-	2	2
⑬	2			
⑭	1	L × 1, R × 1	1	L × 1, R × 1

Note: Use the hinge H230-C26/26T ⑫ only with IF-H102

## FOR YOUR SAFE WORK AND CORRECT INSTALLATION

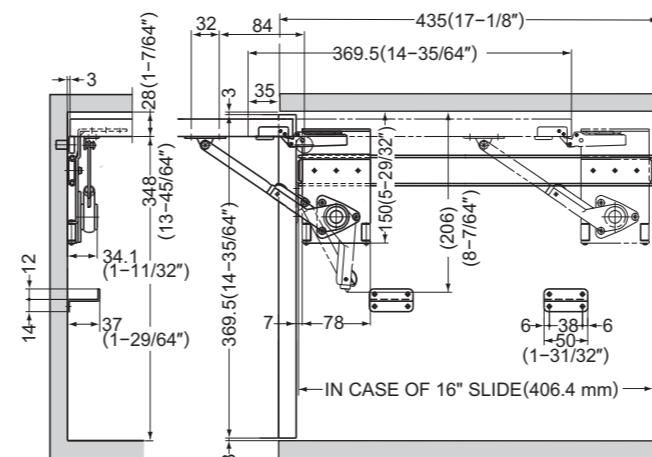
### Meaning of symbols

	Warning Caution		Prohibited		Required
--	-----------------	--	------------	--	----------

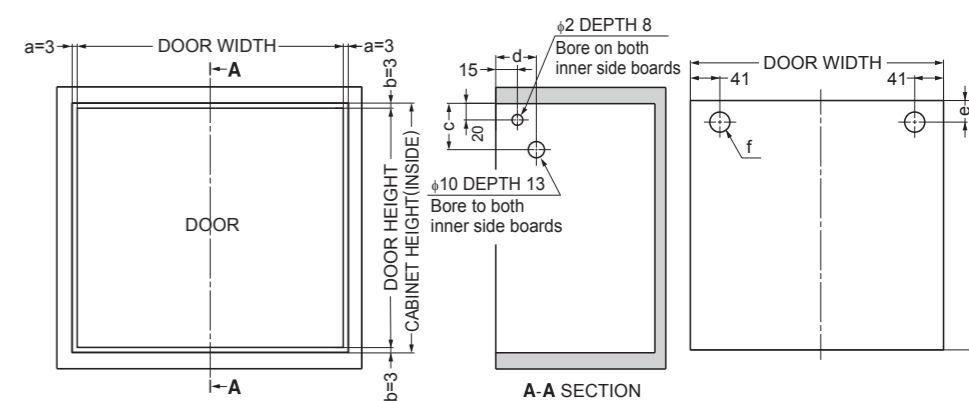
### Caution : If not followed injury or damage may result.

- ① This is a part for furniture fittings. After installation, make sure to test the finished product thoroughly to ensure that it is well-functioning and safe.
- ② Do not try to use this product for anything other than its original purpose. Do not use the parts for applications that are out of specification.
- ③ Make sure to follow the designated dimensions, specifications, and horizontal/vertical angles. Make sure that the cabinet is not warped, since it may affect the movement of the door.
- ④ Recommended ambient temperature range is 0 °C - 40 °C .
- ⑤ Make sure to check the screws for slack at regular intervals (one month from first usage, half a year and then one time every year is recommended).
- ⑥ Affix attached caution sticker onto the door.

## INSTALLATION DRAWING (EXAMPLE)



## CABINET AND DOOR FABRICATION



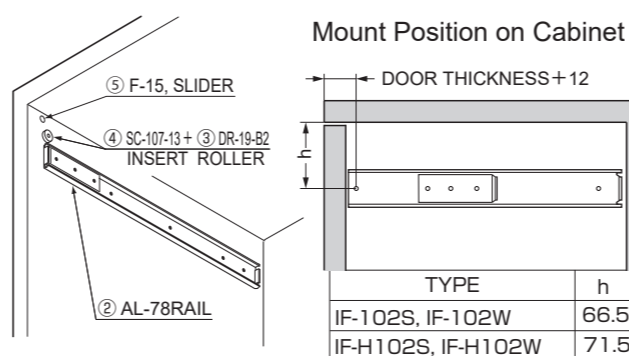
TYPE	c	d	e	f
IF-102S, IF-102W	37.5	9.5+Door thickness	22.5	35 depth 11
IF-H102S, IF-H102W	43.6	9.5+Door thickness	25	40 depth 15

Cut the door so that there is a 3 mm gap between the cabinet and the door. (a & b gap).

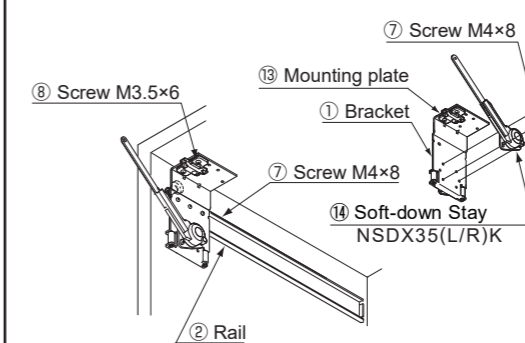
Drill 2 mm dia. and 8 mm depth holes inside of the cabinet.

## ASSEMBLY

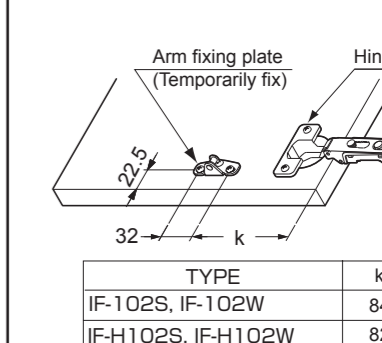
### 1 Parts Assembly on Cabinet



### 2 Bracket Installation

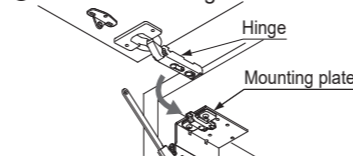


### 3 Parts Assembly on Door

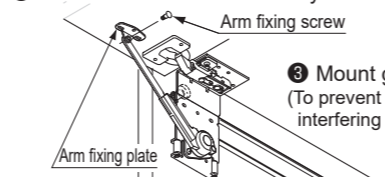


### 4-1 Door Mounting

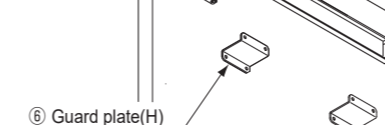
① Assemble the hinges to the mounting plate.



② Fasten arm of Soft-down stay.



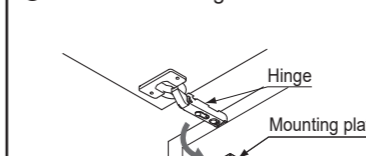
③ Mount guard plates. (To prevent stored articles from interfering with moving parts ※<sup>4</sup>)



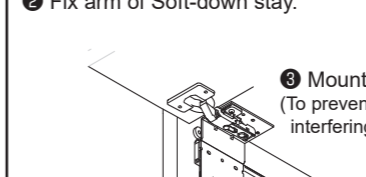
※<sup>4</sup> If the guard plates are not enough to avoid interference install a middle plate.

### 4-2 Door Mounting

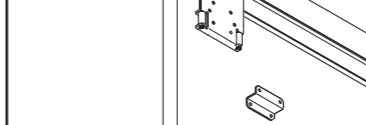
① Assemble the hinges to the mounting plate.



② Fix arm of Soft-down stay.

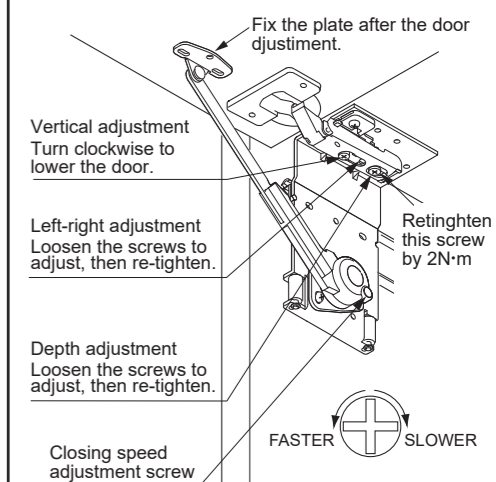


③ Mount guard plates. (To prevent stored articles from interfering with moving parts ※<sup>4</sup>)



※<sup>4</sup> Mount guard plate(L) without stay. Mount guard plate(H) on the side with the stay. If the guard plates are not enough to avoid interference install a middle plate.

### 5 Door Adjustment



Caution When installing two stays, turn the two screws equally.

SUGATSUNE KOGYO CO.,LTD  
Tokyo, JAPAN  
Phone: +81 (0)3 3866 2260 E-mail:export@sugatsune.co.jp

SUGATSUNE KOGYO (UK) LTD  
Reading, UK  
Phone: +44 118 9272 955 E-mail:sales@sugatsune.co.uk

SUGATSUNE EUROPE GmbH  
Düsseldorf, GERMANY  
Phone: +49 211 53812900 E-mail:sales@sugatsune.eu

SUGATSUNE SHANGHAI Co., LTD  
Shanghai, CHINA  
Phone: +86 21 3632 1858 E-mail:lamp@sugatsune.com.cn

Guangzhou, CHINA  
Phone: +86 20 6639 3552 E-mail:lamp@sugatsune.com.cn

SUGATSUNE KOGYO INDIA PRIVATE LIMITED  
Mumbai, INDIA  
Phone: +91 22 28314490/91 E-mail:sales@sugatsune.in

SUGATSUNE AMERICA, INC  
California, USA  
Phone: +1 310 329 6373 E-mail:sales@sugatsune.com

Chicago, USA  
Phone: +1 312 461 1081 E-mail:chicagoshowroom@sugatsune.com

SUGATSUNE CANADA, INC.  
Phone: +1 514 312 5267 E-mail:support@sugatsune.ca

ISO9001(Japan Offices and Sugatsune America) and ISO14001(Chiba Production division and Logistics center), certified.