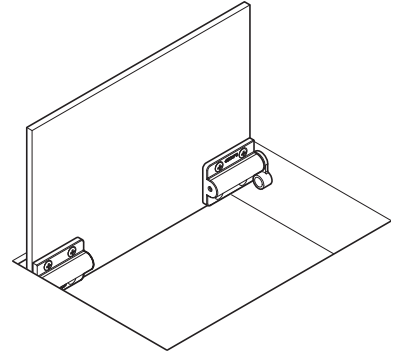


LAMP® HG-JHM9 DAMPER HINGE INSTALLATION INSTRUCTIONS

Thank you for using our product. Before installation, please read this manual thoroughly to ensure correct installation. Please keep this manual at hand for future reference.

ABOUT THE PRODUCT

- Use: Small covers for desktop sockets, small covers for machinery and equipment, etc.
- Range of use: Lids of a size and weight less than the damper torque
(See the Specifications table and Maximum Lid Torque Calculation)
- Operating temperature range: 0- 40°C
- Merits: • Compact damper is ideal for small covers for equipment, etc.
• Bidirectional dampers have a wide range of uses, for lids, upward-opening covers, outward-opening covers, etc.



SPECIFICATIONS

The possibility of injury or property damage only is assumed.

Order code	Part No.	Colour	Type	No. of dampers	Torque
170-025-895	HG-JHM9-S-BL	Black	Side-mounted	2 pcs (L/R)	0.054 ~ 0.086 N · m
170-025-896	HG-JHM9-S-WT	White			
170-037-326	HG-JHM9-S4-BL	Black		1 pcs (R only)	0.027 ~ 0.043 N · m
170-037-327	HG-JHM9-S4-WT	White			
170-025-897	HG-JHM9-U-BL	Black	Rear-mounted	2 pcs (L/R)	0.054 ~ 0.086 N · m
170-025-898	HG-JHM9-U-WT	White			
170-037-328	HG-JHM9-U4-BL	Black		1 pcs (R only)	0.027 ~ 0.043 N · m
170-037-329	HG-JHM9-U4-WT	White			

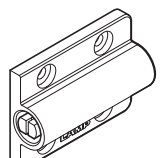
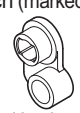
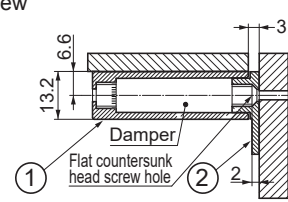
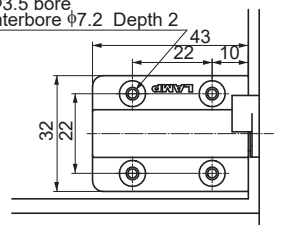
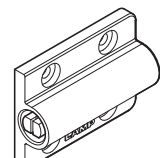
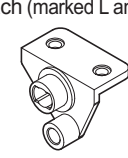
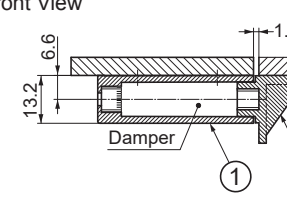
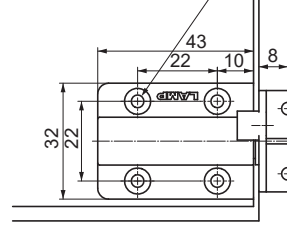
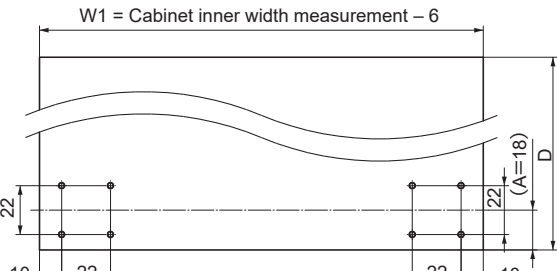
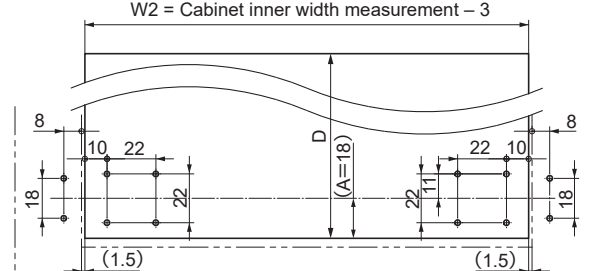
PRECAUTIONS FOR USE

The possibility of injury or property damage only is assumed.

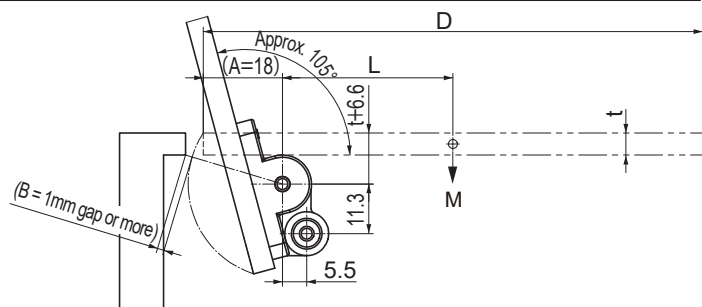
- ⊘ This product is for indoor use only. Do not use outside or anywhere where it will be exposed to water.
- ⊘ Do not use for purposes other than the intended purpose or for lids with specifications other than those shown herein.
- ⊘ Do not use excessive force to the damper as this may result in damage.
- ※ If the operating temperature increases, the door movement becomes quicker. If the temperature decreases, movement becomes slower. This is not a mechanical problem.

Meaning of symbols



Side-mounted type		Rear-mounted Type	
<p>Component Parts</p> <p>① Body 2 pcs (with or without damper)</p>  <p>② Bracket L/R 1 each (marked L and R)</p>  <p>· Screws (to be supplied by the user) Countersunk head screw M3 or Countersunk head wood screw 3.1 × 4 pcs or Countersunk head tapping screw 3 Bind head screw M3 or Pan head tapping screw 3.1 × 8 pcs or Bind head tapping screw 3</p>	<p>Front View</p>  <p>Rear View</p> 	<p>Component Parts</p> <p>① Body 2 pcs (with or without damper)</p>  <p>② Bracket L/R 1 each (marked L and R)</p>  <p>· Screws (to be supplied by the user) Bind head screw M3 or Pan head tapping screw 3.1 × 12 pcs or Bind head tapping screw 3</p>	<p>Front View</p>  <p>Rear View</p> 
<p>Position of Lid Mounting Holes (Seen from rear)</p> <p>W1 = Cabinet inner width measurement - 6</p> 		<p>Position of Lid Mounting Holes (Seen from rear)</p> <p>W2 = Cabinet inner width measurement - 3</p> 	

INSTALLATION EXAMPLE



- Make sure that the gap B when the lid is open is 1mm or more.
- Provide a stopper to hold the lid at the closed position.

MAXIMUM LID TORQUE CALCULATION

$$T = M \times 9.8 \times L$$

T: Maximum lid torque (N·m)

M: Lid weight (kg)

L: Distance from rotation centre to lid centre of gravity (m)

$$L = D/2 - A$$

D: Lid length (m)

A: Length of lid back from rotation centre (m)

(Calculation example)

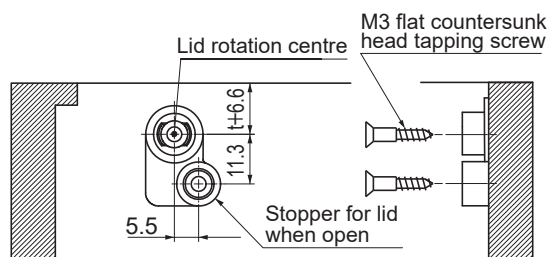
When $D = 0.14$ m, $A = 0.018$ m, $M = 0.137$ kg

$$T = 0.137 \times 9.8(0.14/2 - 0.018) = 0.071 \text{ (N·m)}$$

INSTALLATION

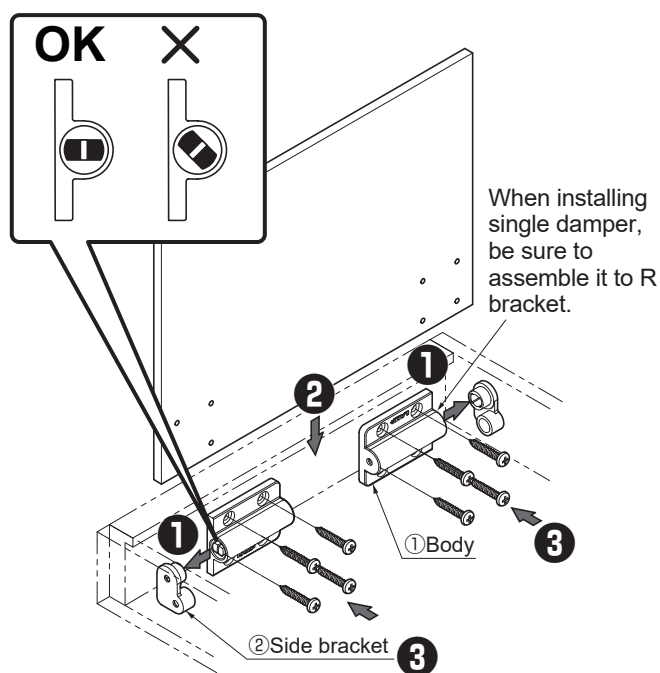
Side-mounted Type

1. Mounting of brackets ②



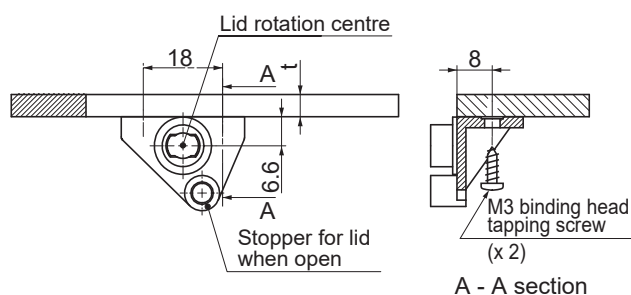
- ⚠ Be sure to install the left and right mounting plates correctly. (The plates are marked L and R)

2. Mounting of body and lid Install in order of ① to ③



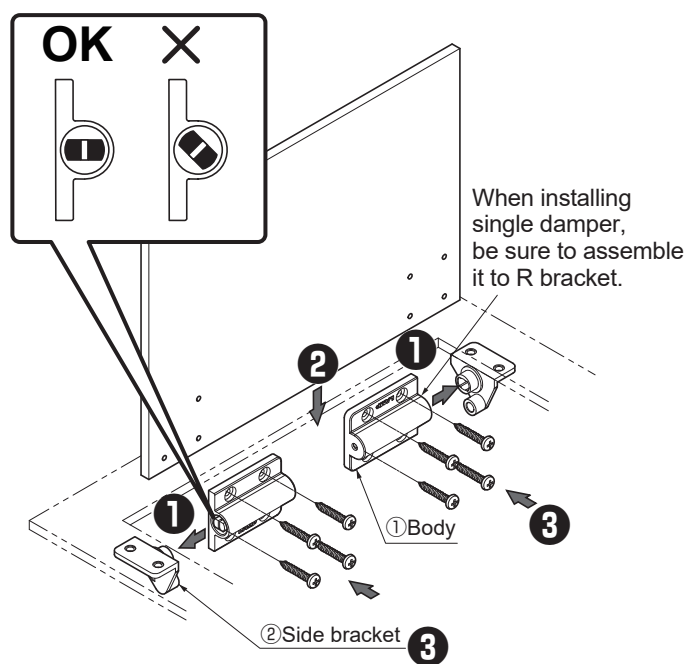
Rear-mounted Type

1. Mounting of brackets ②



- ⚠ Be sure to install the left and right mounting plates correctly. (The plates are marked L and R)

2. Mounting of body and lid Install in order of ① to ③



SUGATSUNE KOGYO CO.,LTD
Tokyo, JAPAN
Phone: +81 (0)3 3866 2260 E-mail: export@sugatsune.co.jp

SUGATSUNE KOGYO (UK) LTD
Reading, UK
Phone: +44 118 9272 955 E-mail: sales@sugatsune.co.uk

SUGATSUNE EUROPE GmbH
Düsseldorf, GERMANY
Phone: +49 211 53812900 E-mail: sales@sugatsune.eu

SUGATSUNE SHANGHAI Co., LTD
Shanghai, CHINA
Phone: +86 21 3632 1858 E-mail: lamp@sugatsune.com.cn

Guangzhou, CHINA
Phone: +86 20 6639 3552 E-mail: lamp@sugatsune.com.cn

SUGATSUNE KOGYO INDIA PRIVATE LIMITED
Mumbai, INDIA
Phone: +91 22 28314490/91 E-mail: sales@sugatsune.in

SUGATSUNE AMERICA, INC
California, USA
Phone: +1 310 329 6373 E-mail: sales@sugatsune.com

Chicago, USA
Phone: +1 312 461 1081 E-mail: chicagoshowroom@sugatsune.com.

SUGATSUNE CANADA, INC.
Phone: +1 514 312 5267 E-mail: support@sugatsune.ca