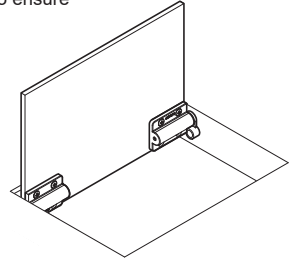


# LAMP® HG-JHS9 DAMPER HINGE INSTALLATION INSTRUCTIONS

Thank you for using our product. Before installation, please read this manual thoroughly to ensure correct installation. Please keep this manual at hand for future reference.

## ABOUT THE PRODUCT

- **Features:**
  - Small damper hinge with self-opening function for top-opening lids .
  - Use with a push-latch enables pop-up function of the lid.
- **Use:** Small covers for desktop sockets, small covers for machinery and equipment, etc. (Used in combination with push latch, etc.)
- **Range of use:** Lids of a size and weight less than the damper torque  
(See the Specifications table and Maximum Lid Torque Calculation)
- **Operating temperature range:** 0- 40°C



**SPECIFICATIONS** In this guide, "left" refers to the left side when looking at the cabinet from the front.

Order code	Part No.	Colour	Type	Torque
170-028-293	HG-JHS9-S-BL	Black	Side-mounted	0.035±0.008N·m
170-028-294	HG-JHS9-S-WT	White		
170-028-295	HG-JHS9-U-BL	Black	Rear-mounted	
170-028-296	HG-JHS9-U-WT	White		

**PRECAUTIONS FOR USE** The possibility of injury or property damage only is assumed.

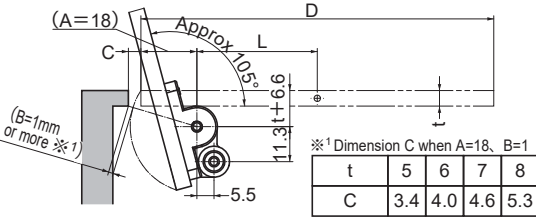
- ⊘ This product is for indoor use only. Do not use outside or anywhere where it will be exposed to water.
  - ⊘ Do not use for an other purpose or with specifications other than those shown in this document.
  - ⊘ Do not use excessive force with the damper as this may result in damage.
- ※ If the operating temperature increases, the door movement becomes quicker. If the temperature decreases, movement becomes slower. This is not a mechanical problem.

Meaning of symbols



Side-mounted type		Rear-mounted Type	
<p><b>Component Parts</b></p> <p>① Bracket...2 pcs Right: Damper installed. Left: Install Spring assy.</p> <p>② Spring assy...1pc</p> <p>③ Side bracket ...L/R 1 each (marked L and R) Screws (to be supplied by the user) Countersunk head screw M3 or Countersunk head wood screw 3.1 or Countersunk head tapping screw 3 } X 4 pcs Bind head screw M3 or Pan head tapping screw 3.1 } X 8 pcs or Bind head tapping screw 3 }</p>	<p><b>Front View</b></p> <p><b>Rear View</b> 4× φ3.5 bore Counterbore φ7.2 Depth 2</p>	<p><b>Component Parts</b></p> <p>① Bracket...2 pcs Right: Damper installed. Left: Install Spring assy.</p> <p>② Spring assy...1pc</p> <p>③ Side bracket ...L/R 1 each (marked L and R) Screws (to be supplied by the user) Bind head screw M3 or Pan head tapping screw 3.1 or Bind head tapping screw 3 } X 12 pcs</p>	<p><b>Front View</b></p> <p><b>Rear View</b> 4× φ3.5 bore Counterbore φ7.2 Depth 2</p>
<p><b>Position of Lid Mounting Holes (Seen from rear)</b></p> <p>W1=Cabinet inner width measurement - 6</p>		<p><b>Position of Lid Mounting Holes (Seen from rear)</b></p> <p>W2=Cabinet inner width measurement - 3</p>	

## INSTALLATION EXAMPLE



- Make sure that the gap B when the lid is open is 1mm or more.
- Provide a push latch to hold the lid at the closed position.

## MAXIMUM LID TORQUE CALCULATION

$$T = m \times 9.8 \times L$$

$$L = D/2 - A$$

T : Maximum lid torque (N·m)  
 m : Lid weight (kg)  
 L : Distance from rotation centre to lid centre of gravity (m)  
 D : Lid length (m)  
 A : Length of lid back from rotation centre (m)

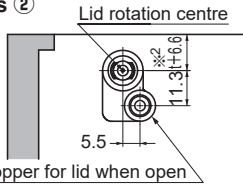
(Calculation example)

When D=0.12 m, A=0.018 m, m=0.085 kg  
 $T = 0.085 \times 9.8(0.12/2 - 0.018) = 0.035N \cdot m$

## INSTALLATION

### Side-mounted Type

#### 1. Mounting of brackets ②

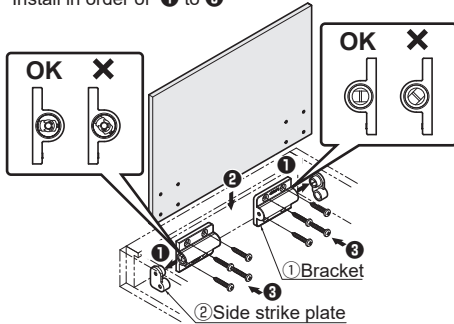


※2 The above shows the lid and frame height in aligned position when the lid is closed.

⚠ Be sure to install the left and right mounting plates correctly. (The plates are marked L and R)

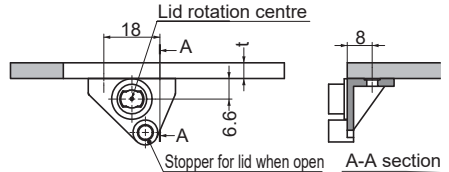
#### 2. Mounting of body and lid

Install in order of ① to ③



### Rear-mounted Type

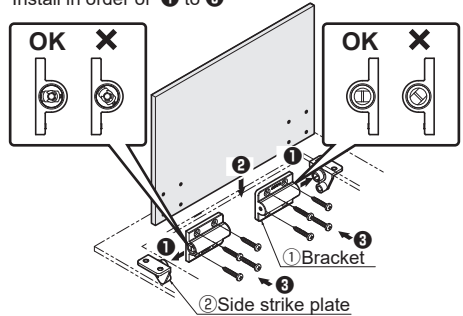
#### 1. Mounting of brackets ②



⚠ Be sure to install the left and right mounting plates correctly. (The plates are marked L and R)

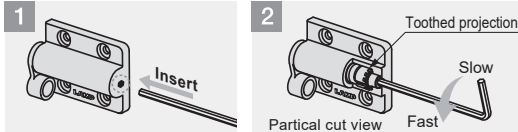
#### 2. Mounting of body and lid

Install in order of ① to ③



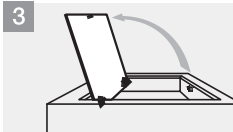
## ADJUSTMENT OF LID OPENING SPEED

### When increasing lid opening speed



Insert a hex key (□ 2.5) into the hole of spring unit (L side)

Push in the hex key ※ until toothed projection is disengaged, while rotating counterclockwise by 30°, and then pull it out.



Close the lid, and check if the lid can be opened smoothly. Repeat steps 1-2 (maximum 1-2 times) if lid opening speed is still slow.

When decreasing lid opening speed (returning to the speed before adjustment)

Loosen the force following the hex key rotating clockwise.

※ Make sure to rotate counterclockwise following pushing in the hex key and disengaging the projection. Forced rotation may cause damage.

SUGATSUNE KOGYO CO.,LTD  
 Tokyo, JAPAN  
 Phone: +81 (0)3 3866 2260 E-mail:export@sugatsune.co.jp  
 SUGATSUNE KOGYO (UK) LTD  
 Reading, UK  
 Phone: +44 118 9272 955 E-mail:sales@sugatsune.co.uk

SUGATSUNE EUROPE GmbH  
 Düsseldorf, GERMANY  
 Phone: +49 211 53812900 E-mail:sales@sugatsune.eu

SUGATSUNE SHANGHAI Co., LTD  
 Shanghai, CHINA  
 Phone: +86 21 3632 1858 E-mail:lamp@sugatsune.com.cn  
 Guangzhou, CHINA  
 Phone: +86 20 6639 3552 E-mail:lamp@sugatsune.com.cn

SUGATSUNE KOGYO INDIA PRIVATE LIMITED  
 Mumbai, INDIA  
 Phone: +91 22 28314490/91 E-mail:sales@sugatsune.in

SUGATSUNE AMERICA, INC  
 California, USA  
 Phone: +1 310 329 6373 E-mail:sales@sugatsune.com  
 Chicago, USA  
 Phone: +1 630 317 7072 E-mail:sales@sugatsune.com

SUGATSUNE CANADA, INC.  
 Phone: +1 514 312 5267 E-mail:support@sugatsune.ca