

LAMP® HG-JHM11 HINGE INSTALLATION INSTRUCTIONS

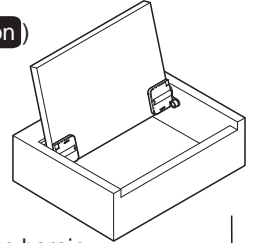
Thank you for purchasing Sugatsune products.
 Read the instructions carefully first to ensure correct installation.
 After reading the instructions and installing the product, keep this guide at hand for easy reference at any time.

Meaning of symbols



ABOUT THE PRODUCT

- Use: Covers for desktop sockets, covers for machinery and equipment, etc.
- Range of use: Lids of a size and weight less than the damper torque (See the **Maximum Lid Torque Calculation**)
- Operating temperature range: 0 - 40°C
- Merits:
 - Simple appearance thanks to the cover which hides screws.
 - Soft downward movement when released smooth movement when opening.



⚠️ Precautions for Use

The possibility of injury or property damage only is assumed.

- ⊘ This product is for indoor use only. Do not use outside or anywhere where it will be exposed to water.
- ⊘ Do not use for purposes other than the intended purpose or for lids with specifications other than those shown herein.
- ⊘ Do not try to open the lid beyond the opening angle, this might damage the parts.
- ⊘ Do not use excessive force to the damper as this may result in damage.
- If the operating temperature increases, the door movement becomes quicker. If the temperature decreases, movement becomes slower. This is not a mechanical problem.

SPECIFICATIONS

In this guide, "left" refers to the left side when looking at the cabinet from the front.

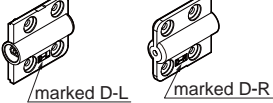


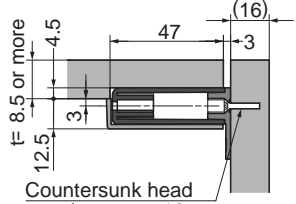
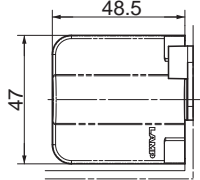
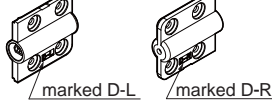

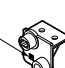
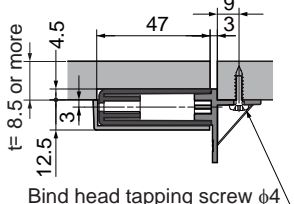
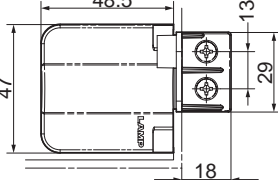
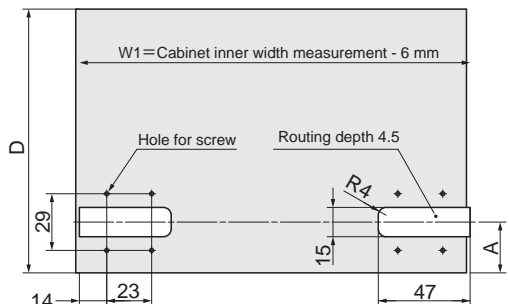
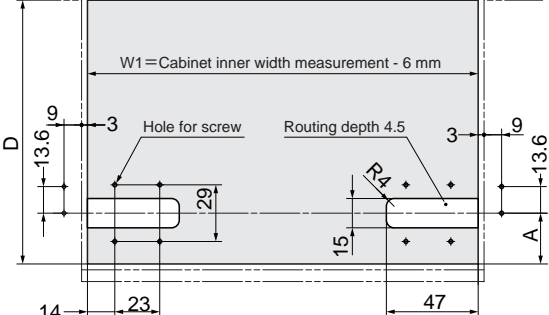
Parts set for side mount type

Order code	Part No.	Cover	Torque	No. of dampers
170-041-206	HG-JHM11-1BL	Black	0.1 N·m	1 (R only)
170-041-207	HG-JHM11-1WT	White		
170-041-208	HG-JHM11-2BL	Black	0.2 N·m	1 (R only)
170-041-209	HG-JHM11-2WT	White		
170-041-210	HG-JHM11-3BL	Black	0.29 N·m	1 (R only)
170-041-211	HG-JHM11-3WT	White		
170-041-212	HG-JH M11-4BL	Black	0.4 N·m	2 (L and R)
170-041-213	HG-JHM11-4WT	White		

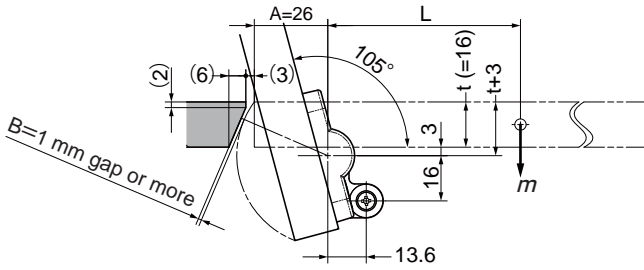
Side bracket for rear mount type (sold separately)

Order code	Part No.	Colour
170-041-218	UKZ11-BL	Black

※ When making Rear-mounted type, order above parts additionally.

Side-mounted type	Rear-mounted Type
<p>Component Parts</p> <p>① Bracket with damper ··· 2pcs Right···Damper installed. Left···See specifications.</p>  <p>marked D-L marked D-R</p> <p>② Cover ··· 2pcs</p>  <p>③ Side bracket ··· 1each(L/R) Marked LorR</p>  <p>• Screws (to be supplied by the user) 4 x M3 countersunk head screw 8 x M3 bind head screw</p> <p>■ Closed position (elevation view)</p>  <p>■ Closed position (rear view)</p> 	<p>Component Parts</p> <p>① Bracket with damper ··· 2pcs Right···Damper installed. Left···See specifications.</p>  <p>marked D-L marked D-R</p> <p>② Cover ··· 2pcs</p>  <p>③ Side bracket ··· 1each(L/R) Marked LorR</p>  <p>• Screws (to be supplied by the user) 12 x M4 bind head screw</p> <p>■ Closed position (elevation view)</p>  <p>■ Closed position (rear view)</p> 
<p>Position of Lid Mounting Holes Seen from rear</p>  <p>W1 = Cabinet inner width measurement - 6 mm</p> <p>Hole for screw Routing depth 4.5</p> <p>Dimensions: 14, 29, 23, 15, 47, A</p>	<p>Position of Lid Mounting Holes</p>  <p>W1 = Cabinet inner width measurement - 6 mm</p> <p>Hole for screw Routing depth 4.5</p> <p>Dimensions: 14, 13.6, 9, 3, 29, 15, 47, A, 13.6, 9</p>

Installation Example



- Above example shows the lid of 16 mm thickness.
- Make sure that the gap B when opening lid is 1mm or more.
- Provide a touch latch to hold the lid at the closed position.

Maximum Lid Torque Calculation

$$T = m \times 9.8 \times L$$

T : Maximum lid torque (N·m)

m : Lid weight (kg)

L : Distance from rotation centre to lid center of gravity/(m)
 $L = D/2 - A$

D : Lid length(m)

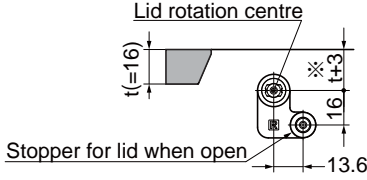
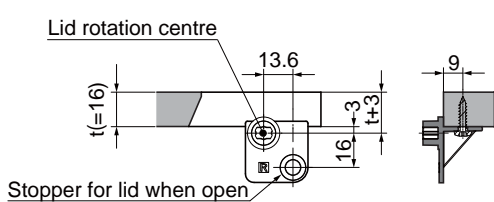
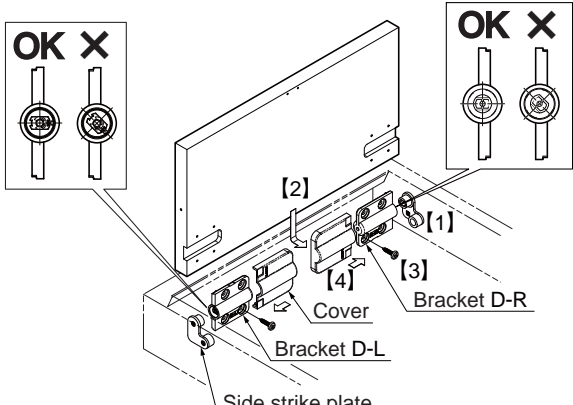
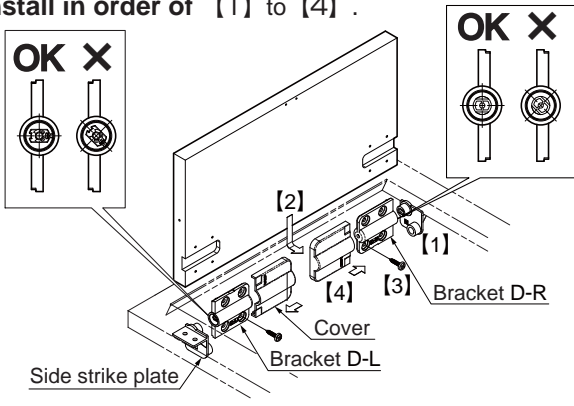
A : Length of lid back from rotation centre(m)

(Recommended range for A: 26 to 30 mm)

(Calculation example)

When $D = 0.18$ m, $A = 0.026$ m, $m = 0.64$ kg

$$T = 0.64 \times 9.8 (0.18/2 - 0.026) = 0.4 (\text{N} \cdot \text{m})$$

Side-mounted Type	Rear-mounted Type
<p>1. Install the side brackets ③</p>  <p>※The above shows the lid and frame height in aligned position when the lid is closed.</p> <p>⚠ Be sure to install the left and right mounting plates correctly (The plates are marked)</p>	<p>1. Install the side brackets ③</p>  <p>⚠ Be sure to install the left and right mounting plates correctly (The plates are marked)</p>
<p>2. Install the brackets ①, covers ② and lid Install in order of [1] to [4].</p> 	<p>2. Install the brackets ①, covers ② and lid Install in order of [1] to [4].</p> 

SUGATSUNE KOGYO CO.,LTD
 Tokyo, JAPAN
 Phone: +81 (0)3 3866 2260 E-mail:export@sugatsune.co.jp

SUGATSUNE KOGYO (UK) LTD
 Reading, UK
 Phone: +44 118 9272 955 E-mail:sales@sugatsune.co.uk

SUGATSUNE EUROPE GmbH
 Düsseldorf, GERMANY
 Phone: +49 211 53812900 E-mail:sales@sugatsune.eu

SUGATSUNE SHANGHAI Co., LTD
 Shanghai, CHINA
 Phone: +86 21 3632 1858 E-mail:lamp@sugatsune.com.cn

Guangzhou, CHINA
 Phone: +86 20 6639 3552 E-mail:lamp@sugatsune.com.cn

SUGATSUNE KOGYO INDIA PRIVATE LIMITED
 Mumbai, INDIA
 Phone: +91 22 28314490/91 E-mail:sales@sugatsune.in

SUGATSUNE AMERICA, INC
 California, USA
 Phone: +1 310 329 6373 E-mail:sales@sugatsune.com

Chicago, USA
 Phone: +1 312 461 1081 E-mail:chicagoshowroom@sugatsune.com.

SUGATSUNE CANADA, INC.
 Phone: +1 514 312 5267 E-mail:support@sugatsune.ca