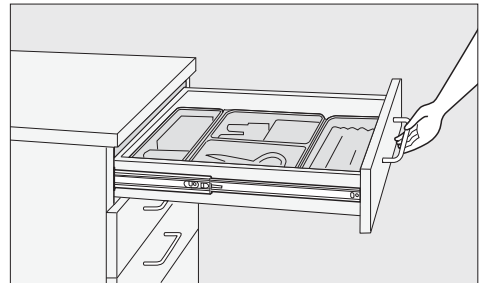




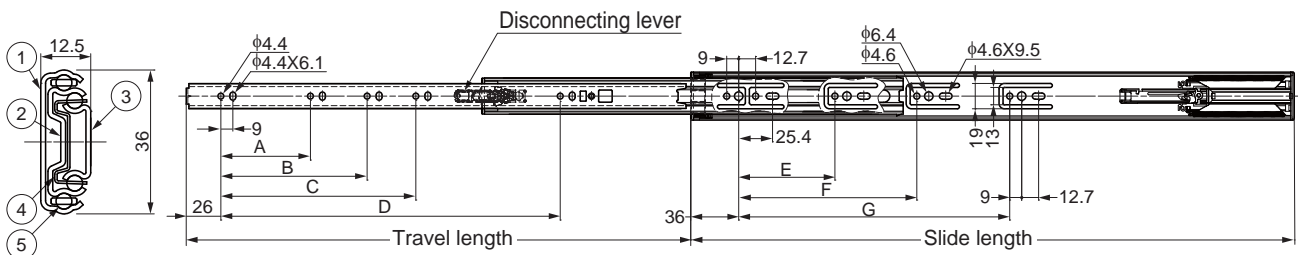
Thank you for selecting our product. Before starting installation, please read this manual thoroughly to ensure correct installation. Please keep this manual at hand for future reference.

**ABOUT THE PRODUCT**

- Side mount drawer slide with soft-closing mechanism.
- The drawer is detachable by pulling the lever.

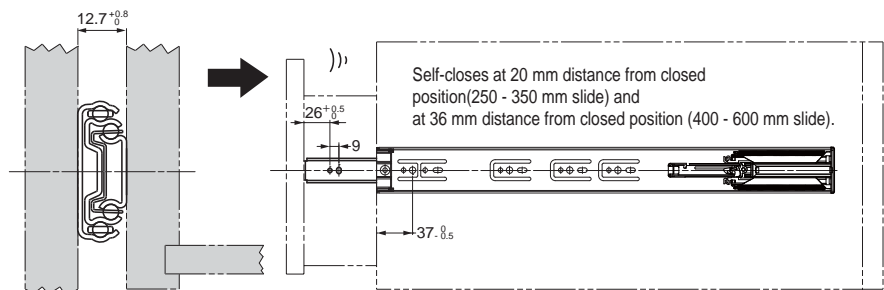


**DIMENSIONS, SPECIFICATIONS**



No.	Part name
①	Outer member
②	Intermediate member
③	Inner member
④	Retainer
⑤	Balls

● Non-handed

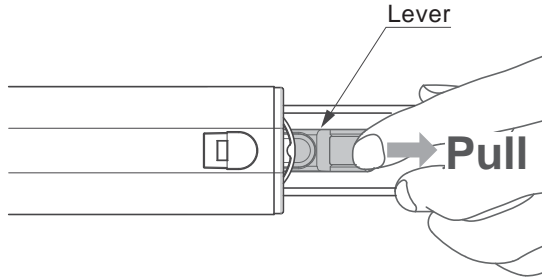


Item number	slide length	Travel length	A	B	C	D	E	F	G	Max. drawer width	Load capacity N(kgf)/pair	Box
3670-250	250	200	124	-	-	-	87	-	-	450	147(15)	20set
3670-300	300	300	174	-	-	-	119	-	-	500		
3670-350	350	350	96	224	-	-	119	183	-	550		
3670-400	400	400	160	256	-	-	119	199	-	600	196(20)	10set
3670-450	450	450	96	192	306	-	119	247	-	650		
3670-500	500	500	128	224	356	-	119	215	295	700		
3670-550	550	550	128	224	352	406	119	215	345	750		
3670-600	600	600	128	224	384	456	119	247	375	800		

## 1 Detaching slides

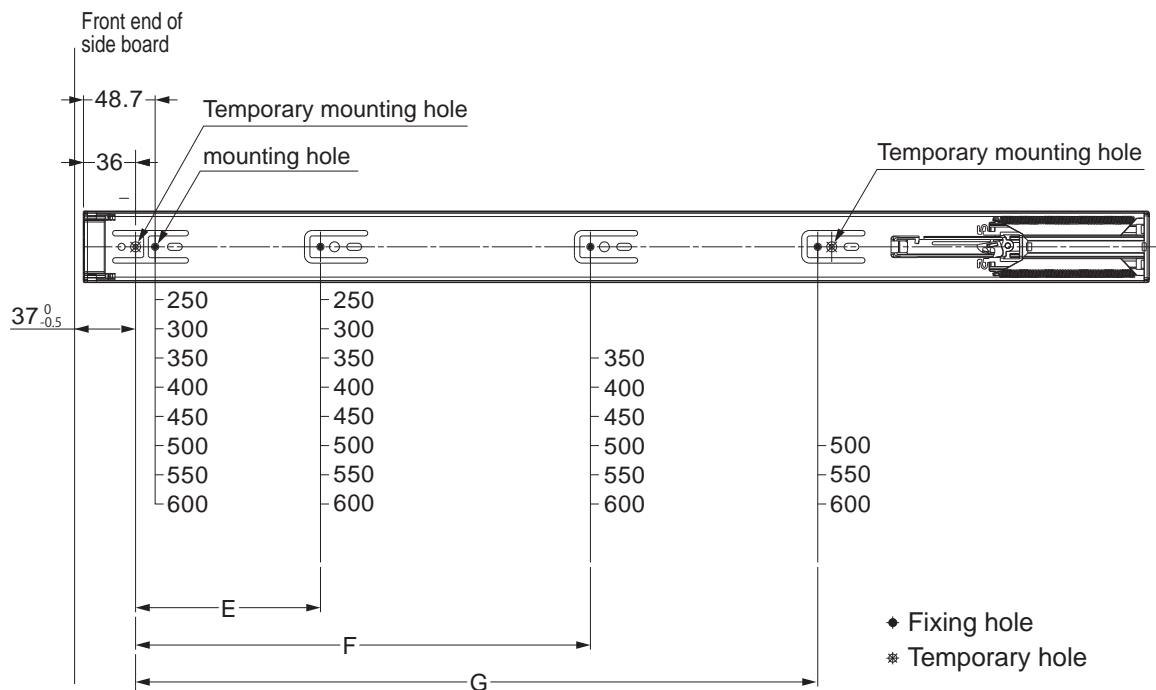
Pull out inner member until it stops, then pull the disconnect lever to detach.

How to detach



## 2 Positioning / mounting Outer Member

Correct installation is necessary to enjoy push-to-open function. Mount the slides and make adjustments as follows.



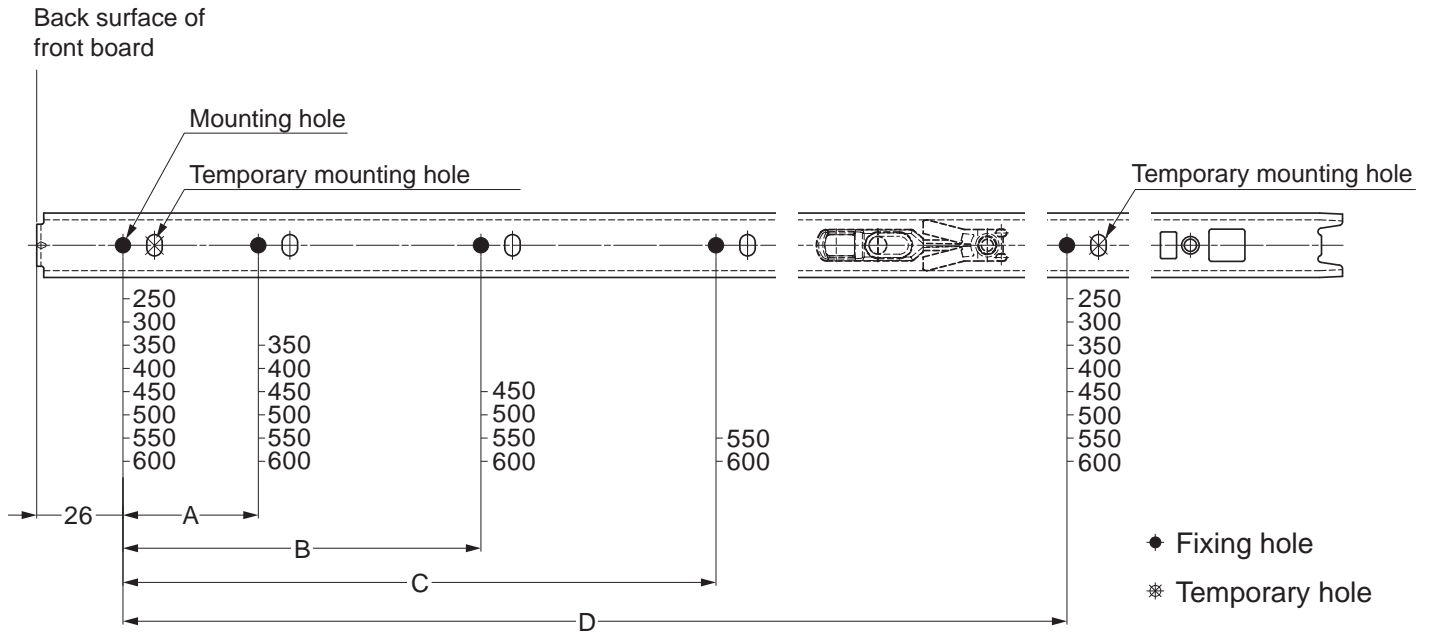
**[1]** Mark the positions of the slides on the inside of the cabinet and fit using the temporary mounting holes to give a little bit of adjustment.

**[2]** Do not fully tighten the screws just yet. Level up and fix using the round holes and tighten all screws.

Notes:

- Move the intermediate member to screw the holes through the access holes.
- Refer to page 1 about the dimensions E, F, and G.

### 3 Positioning / mounting Inner Member

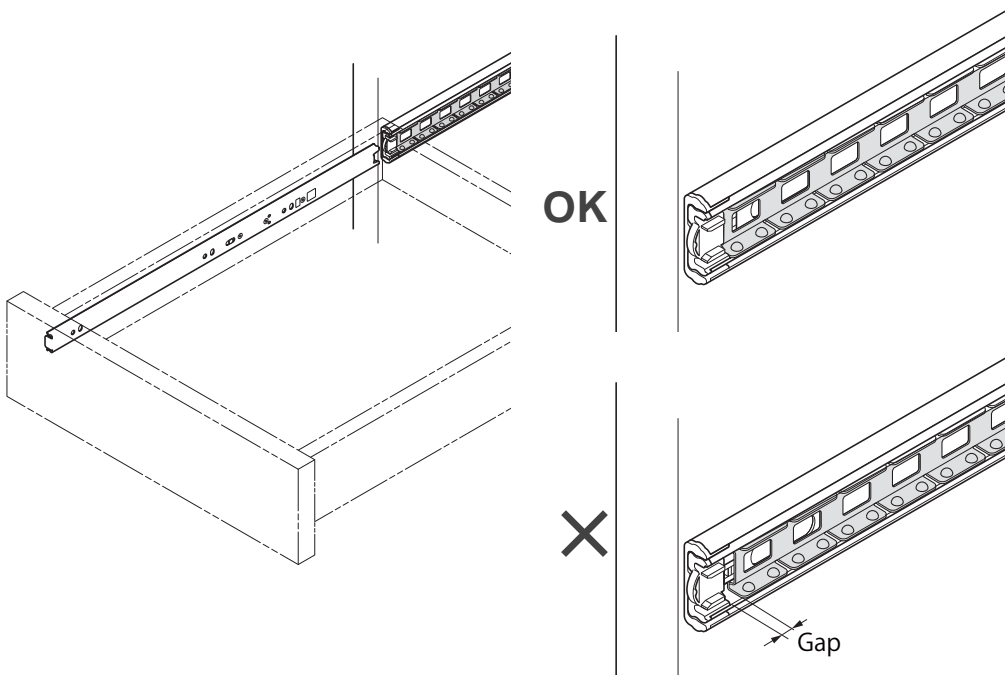


- [1] Fit the inner member to the side of the drawer, either on or just below the center line for optimum stability.
- [2] Level up and fix using the temporary mounting holes and tighten screws to fixing holes.

Notes:

- Refer to page 1 about the dimensions A to D.

### 4 Insert Drawer to Cabinet



- [1] Position ball retainers to the front end.
- [2] Insert inner members of drawer to the retainers.
- [3] Check slide movement and soft-close motion if it works properly, then make adjustments if necessary.
- [4] Fix all screws on all of the slide members.

**SUGATSUNE KOGYO CO.,LTD**  
Tokyo, JAPAN  
Phone: +81 (0)3 3866 2260 E-mail:export@sugatsune.co.jp

**SUGATSUNE KOGYO (UK) LTD**  
Reading, UK  
Phone: +44 118 9272 955 E-mail:sales@sugatsune.co.uk

**SUGATSUNE EUROPE GmbH**  
Düsseldorf, GERMANY  
Phone: +49 211 53812900 E-mail:sales@sugatsune.eu

**SUGATSUNE SHANGHAI Co., LTD**  
Shanghai, CHINA  
Phone: +86 21 3632 1858 E-mail:lamp@sugatsune.com.cn

**Guangzhou, CHINA**  
Phone: +86 20 6639 3552 E-mail:lamp@sugatsune.com.cn

**SUGATSUNE KOGYO INDIA PRIVATE LIMITED**  
Mumbai, INDIA  
Phone: +91 22 28314490/91 E-mail:sales@sugatsune.in

**SUGATSUNE AMERICA, INC**  
California, USA  
Phone: +1 310 329 6373 E-mail:sales@sugatsune.com

**Chicago, USA**  
Phone: +1 312 461 1081 E-mail:chicagoshowroom@sugatsune.com.

**SUGATSUNE CANADA, INC.**  
Phone: +1 514 312 5267 E-mail:support@sugatsune.ca