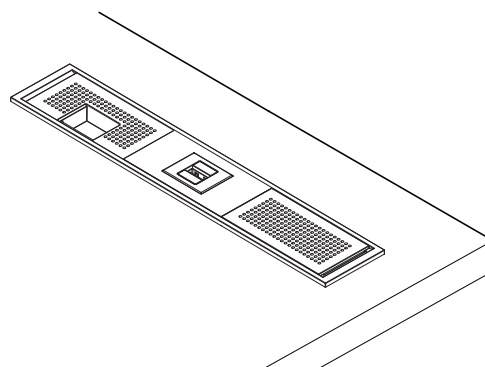


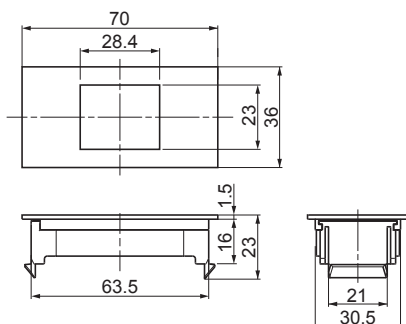
Thank you for selecting our product. Before starting installation, please read this manual thoroughly to ensure correct installation.
Please keep this manual at hand for future reference.



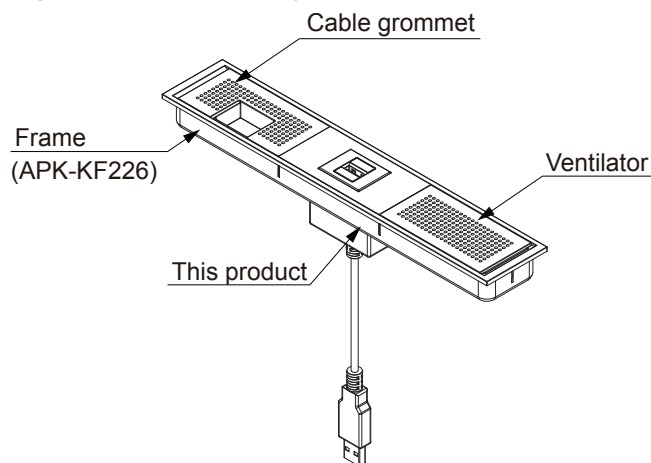
ABOUT THE PRODUCT

- Bracket for jack which can be mounted on ventilator frame APK-KF.
- It enables various connectors such as LAN connector, USB connector, and LAN cable case to be mounted on ventilator frame APK-KF.

SPECIFICATIONS



Examples of combination with ventilator or cable grommet (sold separately).



Item code	Item No.	Color
210-040-817	APK-K-DM1-BL	Black
210-040-818	APK-K-DM1-WT	White
210-040-819	APK-K-DM1-BR	Brown

Precautions for safety

Meaning of symbols



Warning
Caution



Prohibited



Required

Precautions for installation

⚠ WARNING If not followed, death or serious injury may result.

- ⊘ Do not try to use the product for any other purposes other than originally intended for. Do not use the parts for applications that are out of specification.
- ⚠ It is necessary to mount the product on the place which can hold the weight of the installed parts and can bear the operating force of connectors.
- ⊘ Do not disassemble nor modify any parts than those described in this document.
- ⊘ Do not use excessive force to the product. Do not drop or hit the product. Damage or injury may be resulted.



Caution If not followed, injury or damage may result.

- ⊘ Do not use excessive force to the product. Do not drop or hit the product. Damage or injury may be resulted.

Precautions for use



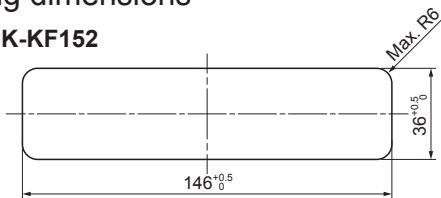
Caution If not followed, injury or damage may result.

- ⊘ Do not use the product with too much vibration or shock to avoid damage.
- ⊘ Do not paint the product to avoid damage.
- ⊘ Do not use the product in a direct sunlight. It may cause discoloration.
- ⚠ Pay attention to the mounting direction of cover and bracket.
- ⚠ Be sure to insert LAN plug or USB plug securely.
- ⚠ Always grip the plug section when disconnecting cables.

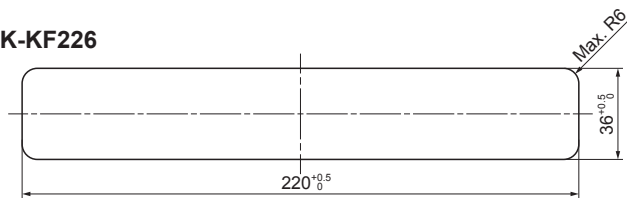
Installation

① Drilling dimensions

APK-KF152

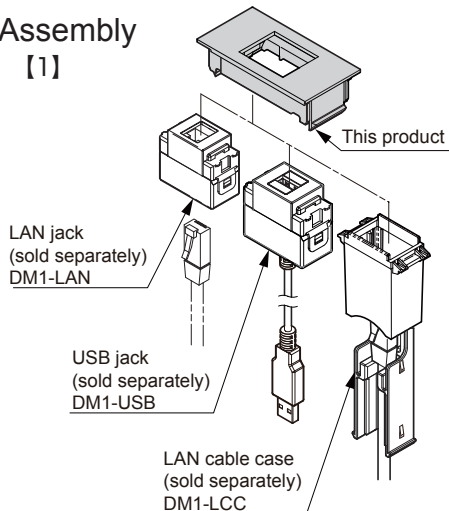


APK-KF226



② Assembly

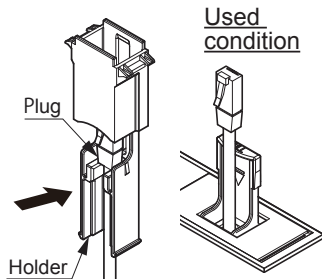
[1]



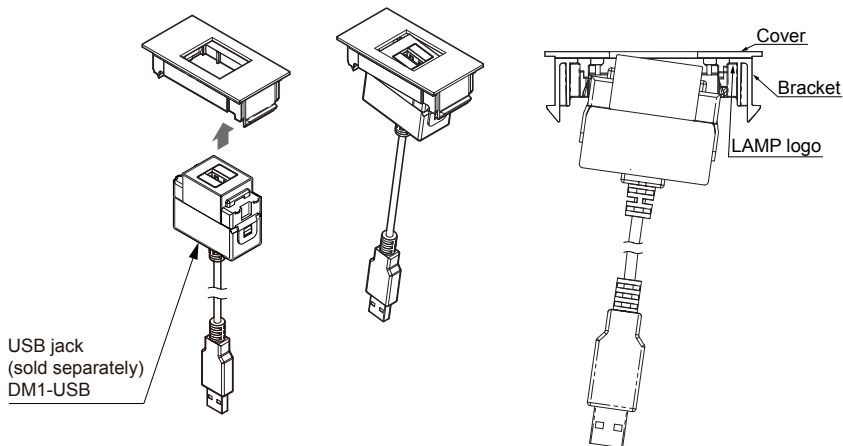
LAN cable case (sold separately)

[How to assemble]

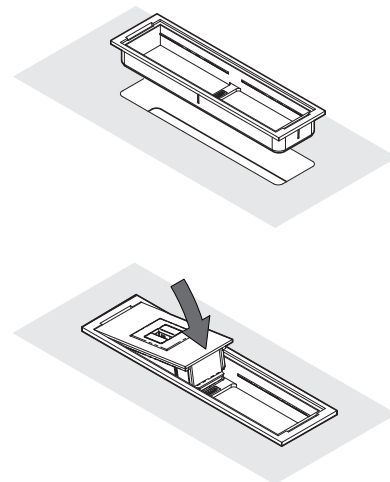
(1) Pull out the holder. Hook the plug on the holder.



[2] Hook the jack on the claw on the opposite side of the LAMP logo on the bracket, then push in the jack until a click sound is heard.



[3] Bond the frame so that it will not come out.



How to remove

Removal of bracket or ventilator

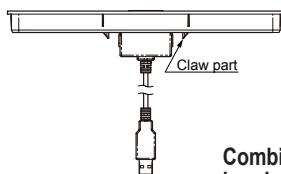
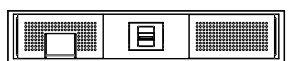
APK-KF152



APK-KF226



APK-KF226



When all slots are filled with APK-K-DM1

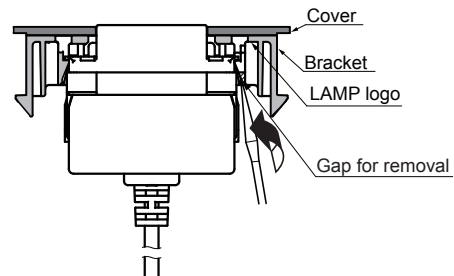
Bend the claw inward from backside, then remove the bracket from the frame. (APK-KF152, APK-KF226)

Combination of two series of brackets and ventilator on APK-KF226

Remove the ventilator first from the front side, then pull out the two brackets.

Removal of jack

Insert a minus driver to the gap for removal, then remove the jack by turning the driver.



SUGATSUNE KOGYO CO.,LTD
Tokyo, JAPAN

Phone: +81 (0)3 3866 2260 E-mail:export@sugatsune.co.jp

SUGATSUNE KOGYO (UK) LTD
Reading, UK

Phone: +44 118 9272 955 E-mail:sales@sugatsune.co.uk

SUGATSUNE EUROPE GmbH
Düsseldorf, GERMANY

Phone: +49 211 53812900 E-mail:sales@sugatsune.eu

ISO9001(Japan Offices and Sugatsune America) and ISO14001(Chiba Production division and Logistics center), certified.

SUGATSUNE SHANGHAI Co., LTD
Shanghai, CHINA

Phone: +86 21 3632 1858 E-mail:lamp@sugatsune.com.cn

Guangzhou, CHINA

Phone: +86 20 6639 3552 E-mail:lamp@sugatsune.com.cn

SUGATSUNE KOGYO INDIA PRIVATE LIMITED
Mumbai, INDIA

Phone: +91 22 28314490/91 E-mail:sales@sugatsune.in

SUGATSUNE AMERICA, INC
California, USA

Phone: +1 310 329 6373 E-mail:sales@sugatsune.com

Chicago, USA

Phone: +1 312 461 1081 E-mail:chicagoshowroom@sugatsune.com.

SUGATSUNE CANADA, INC.

Phone: +1 514 312 5267 E-mail:support@sugatsune.ca