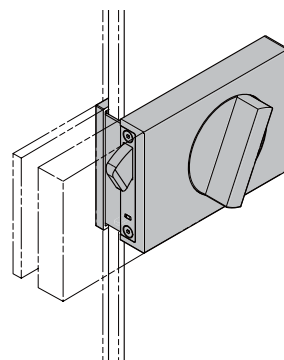


Thank you for selecting our product. Before starting installation, please read this manual thoroughly to ensure correct installation. Please keep this manual at hand for future reference.

## ABOUT THE PRODUCT

- Sliding door latch with thumb turn and indicator.
- Closing mechanism leaves no gap between door and doorjamb.
- Safety mechanism allows the hook to work only when the door is closed.
- Hook is completely retracted when the door is open.



## FOR YOUR SAFE WORK AND CORRECT INSTALLATION

### Meaning of symbols

<b>Warning</b> Caution	<b>Prohibited</b>	<b>Required</b>
---------------------------	-------------------	-----------------

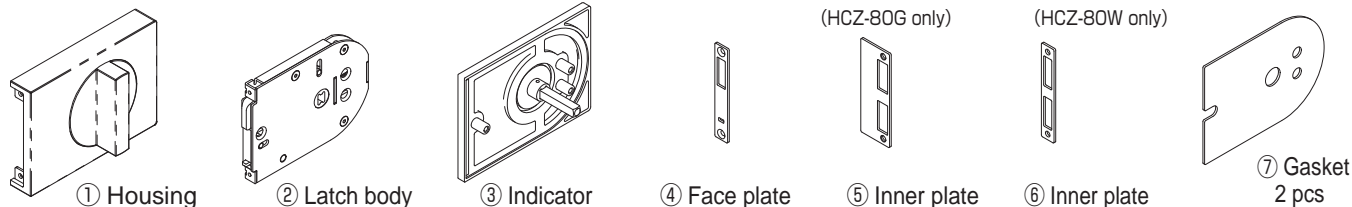
**Caution** If not followed injury or damage may result.

- ❗ Make sure to follow the designated measurements, specifications, and horizontal/vertical angles. Make sure that the frame is not warped, since it may affect the movement of the door.
- ❗ This product is a part for architectural fittings. After installation, make sure to test the finished product thoroughly to ensure that it is well-functioning and safe.
- ❗ Make sure to check the screws for slack at regular intervals (one month from first usage, half a year, and then one time every year is recommended).

## PARTS COMPOSITION

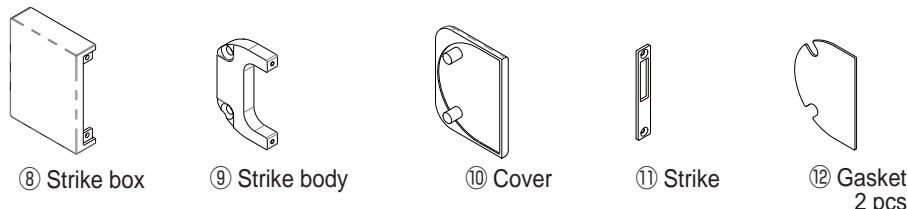
**Sliding door latch** Item No. : HCZ-80G- \*\* (for glass door thickness 10 - 13 mm)  
: HCZ-80W- \*\* (for wood door thickness 33 - 45 mm)

Provided tools: Hex key 2 mm, 2.5 mm. See table below for the provided screws.  
\*\* is finish code. See the table below.



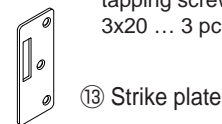
## OPTIONAL PARTS

**Strike box** Item No.: HCZ-80B- \*\* ( \*\* is finish code. See the table below.)  
Provided tools: Hex key 3 mm. See table below for the provided screws.



### Strike plate

Item No. ZL-2402-FB  
Provided screws: Countersunk tapping screw 3x20 ... 3 pcs



Provided screws		Q'ty	for glass door	for wood door		
			t10 - 13	t33 - 37	t38 - 42	t43 - 45
	Attached to latch	3	M4x20	M4x45	M4x50	M4x55
		1	M3x10			
		2	M3x8			
	Attached to strike box	2	M5x20	M5x45	M5x50	M5x55
		1	M3x16			
		2	M3x8			

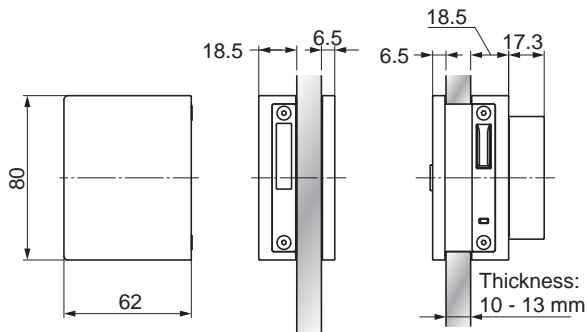
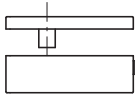
About finish code \*\*

CR	Chrome plating
SN	Dull nickel plating

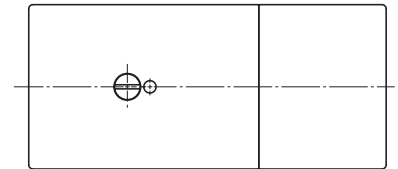
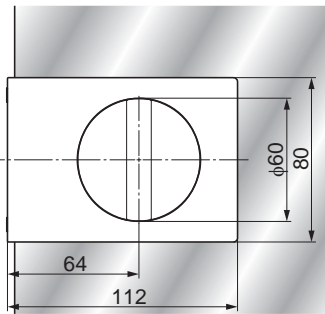
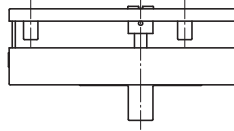
## Installation drawing

See installation procedure about the process dimensions.

Strike box

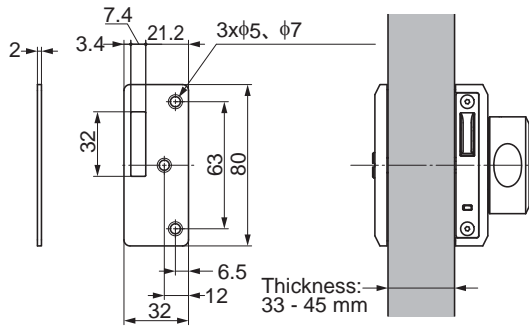


Sliding door latch (for glass door)

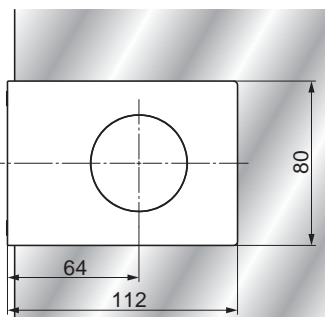


Indicator side (as locked)

Strike plate

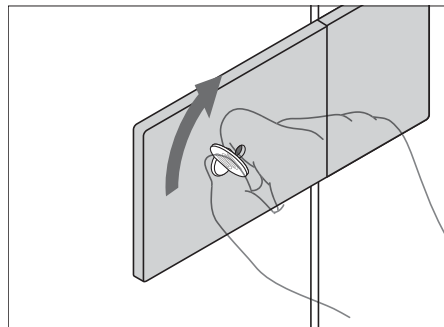


Sliding door latch (for wood door)



## Emergency release

Use coin or similar to unlock the latch.



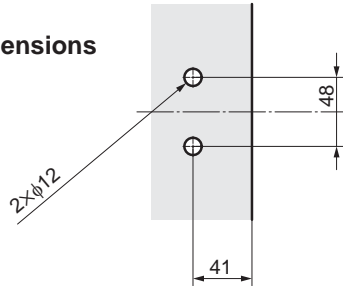
**Strike side**

**Latch body side**

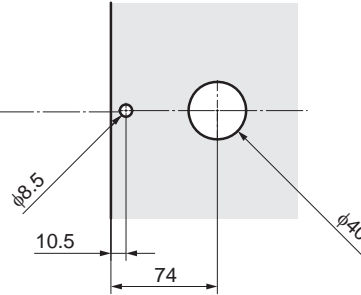
**■ Assembly of strike box**

**■ Installation of latch body**

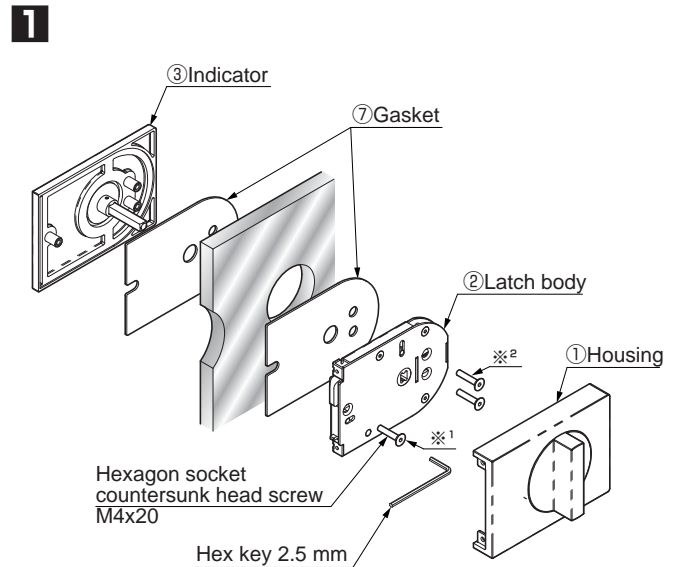
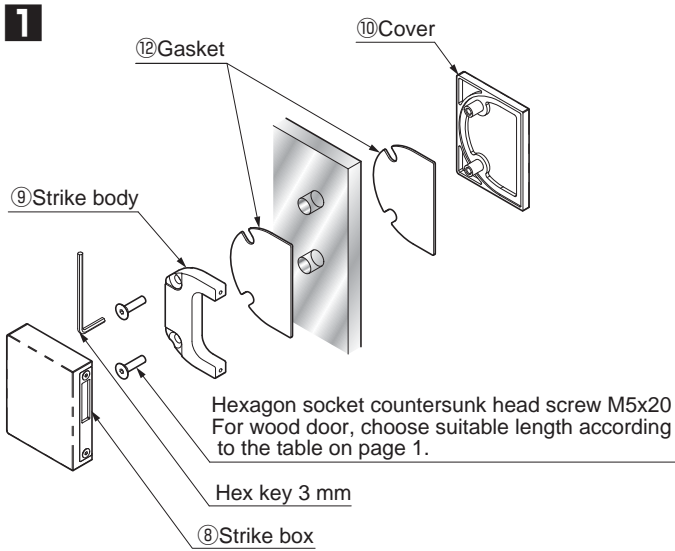
Process dimensions



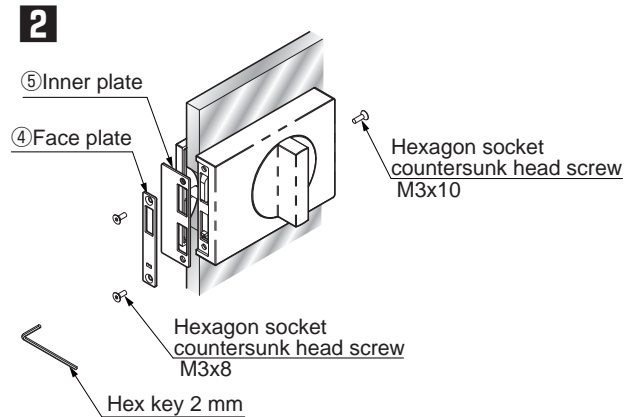
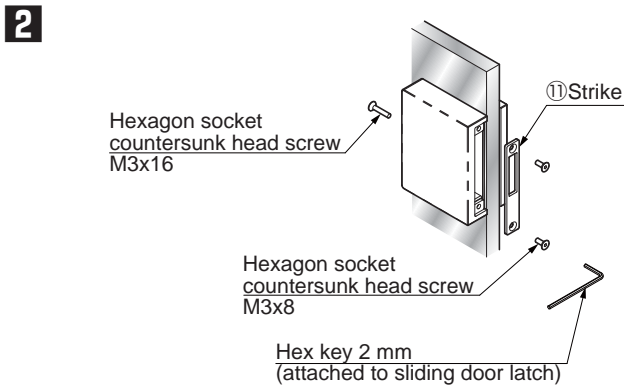
Process dimensions



Strike box and latch body alignment: ±3 mm



**Tightening torque**  
 ※1 : 0.5 - 0.7 N · m  
 ※2 : 0.9 - 1.4 N · m



See page 4 about the mounting of strike plate.

# INSTALLATION PROCEDURE (for wood door)

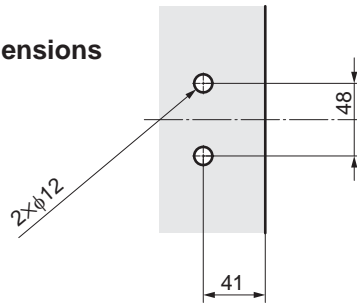
(Door thickness: 33 - 45 mm)

## Strike side

## Latch body side

### Assembly of strike box

#### Process dimensions

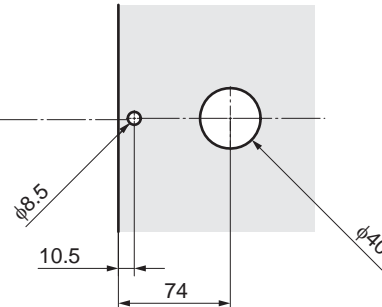


Assembly process is the same as glass door. (See page 3.)

Strike box and latch body alignment:  $\pm 3$  mm

### Installation of latch

#### Process dimensions

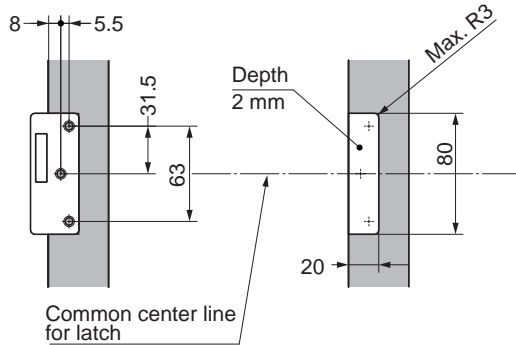


### Assembly of strike plate

#### Process dimensions

Surface mount

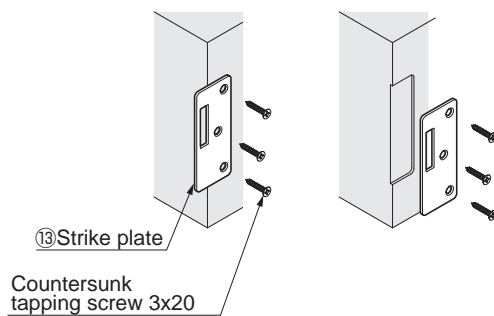
Recessed mount



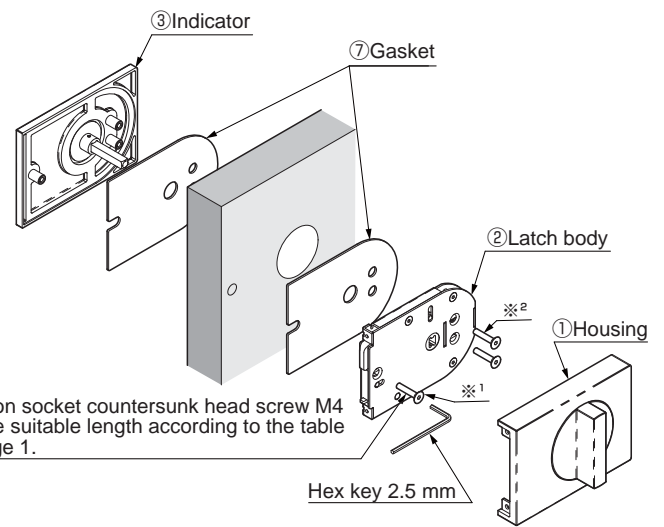
1

Surface mount

Recessed mount



1



Hexagon socket countersunk head screw M4  
Choose suitable length according to the table on page 1.

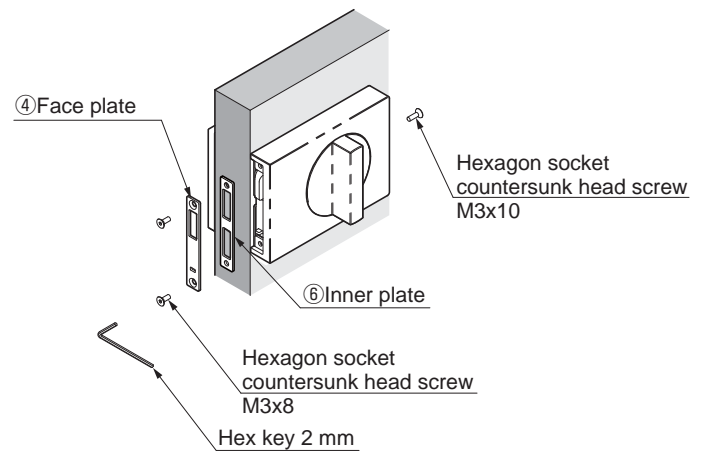
Hex key 2.5 mm

Tightening torque

※<sup>1</sup> : 0.5 - 0.7 N · m

※<sup>2</sup> : 0.9 - 1.4 N · m

2



4 Face plate

Hexagon socket countersunk head screw M3x10

6 Inner plate

Hexagon socket countersunk head screw M3x8

Hex key 2 mm

SUGATSUNE KOGYO CO.,LTD  
Tokyo, JAPAN  
Phone: +81 (0)3 3866 2260 E-mail:export@sugatsune.co.jp

SUGATSUNE KOGYO (UK) LTD  
Reading, UK  
Phone: +44 118 9272 955 E-mail:sales@sugatsune.co.uk

SUGATSUNE EUROPE GmbH  
Düsseldorf, GERMANY  
Phone: +49 211 53812900 E-mail:sales@sugatsune.eu  
ISO9001(Japan Offices and Sugatsune America) and ISO14001(Chiba Production division and Logistics center), certified.

SUGATSUNE SHANGHAI Co., LTD  
Shanghai, CHINA  
Phone: +86 21 3632 1858 E-mail:lamp@sugatsune.com.cn

Guangzhou, CHINA  
Phone: +86 20 6639 3552 E-mail:lamp@sugatsune.com.cn

SUGATSUNE KOGYO INDIA PRIVATE LIMITED  
Mumbai, INDIA  
Phone: +91 22 28314490/91 E-mail:sales@sugatsune.in

SUGATSUNE AMERICA, INC  
California, USA  
Phone: +1 310 329 6373 E-mail:sales@sugatsune.com

Chicago, USA  
Phone: +1 312 461 1081 E-mail:chicagoshowroom@sugatsune.com.

SUGATSUNE CANADA, INC.  
Phone: +1 514 312 5267 E-mail:support@sugatsune.ca

2018.08 1218-1