

**LAMP®**

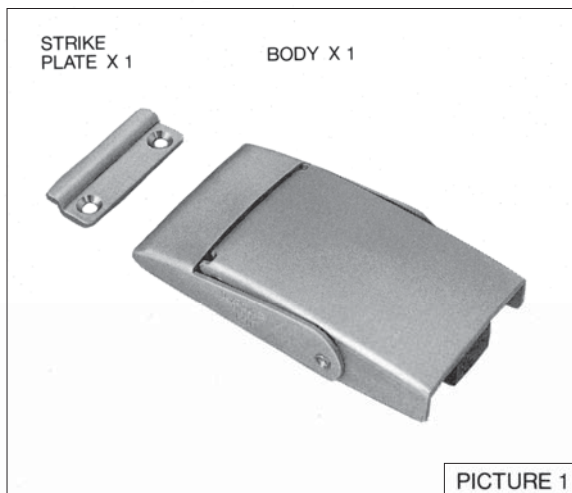
# STF-100

DRAW LATCH (W/SAFETY LOCK)

## INSTALLATION INSTRUCTION

Please read instruction sheet carefully and thoroughly for proper installation.

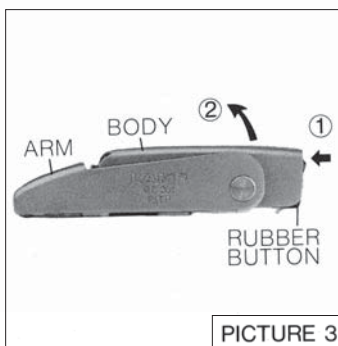
■ The parts described below are for one fastener.



PICTURE 1

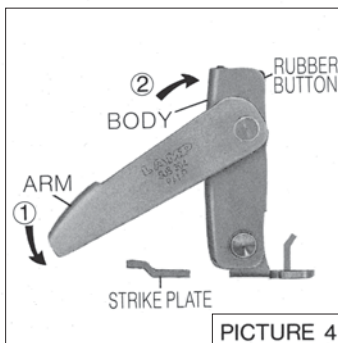
Note: Installation screws are not enclosed. Please prepare 5 pcs M4 flat head screw separately.

## ■ How to operate



PICTURE 3

To release open:  
Press - and - hold rubber button ③ and lift up body ②

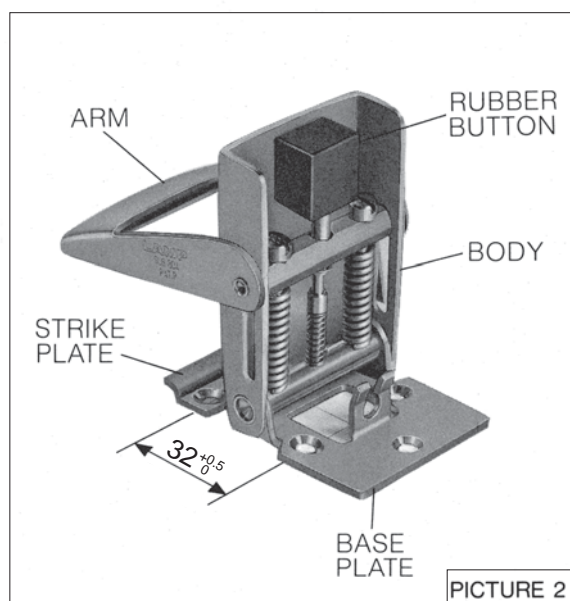


PICTURE 4

To fasten:  
Hook arm ① on to strike plate ② properly. Pull and push down body ③.

Note:  
Do not push body down when arm is not hooked on to strike plate properly as it may damage the product.

## ■ PARTS DESCRIPTION

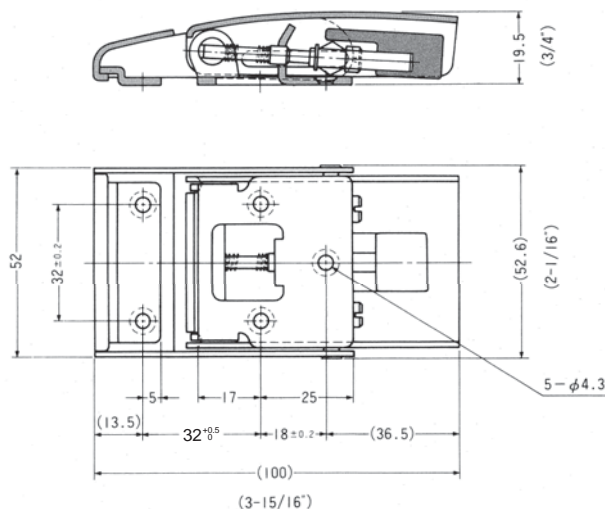


PICTURE 2

## ■ How to mount

Place strike plate and base plate at the right positions, referring to the above picture, and mount them with the installation screws. Make sure of the  $32 \pm 0.5$  mm (1.24" - 1.28") distance between hole centers of strike plate and base plate to secure proper installation.

## ■ Specifications



Material: 18-8 stainless steel

Finish : Satin

Note: Do not exceed 14 kgs. (30 lbs.) of push down force.

**SUGATSUNE KOGYO CO.,LTD**

Tokyo, JAPAN

Phone: +81 (0)3 3866 2260 E-mail:export@sugatsune.co.jp

**SUGATSUNE KOGYO (UK) LTD**

Reading, UK

Phone: +44 118 9272 955 E-mail:sales@sugatsune.co.uk

**SUGATSUNE EUROPE GmbH**

Düsseldorf, GERMANY

Phone: +49 211 53812900 E-mail:sales@sugatsune.eu

ISO9001(Japan Offices and Sugatsune America) and ISO14001(Chiba Production division and Logistics center), certified.

**SUGATSUNE SHANGHAI Co., LTD**

Shanghai, CHINA

Phone: +86 21 3632 1858 E-mail:lamp@sugatsune.com.cn

**Guangzhou, CHINA**

Phone: +86 20 6639 3552

E-mail:lamp@sugatsune.com.cn

**SUGATSUNE KOGYO INDIA PRIVATE LIMITED**

Mumbai, INDIA

Phone: +91 22 28314490/91 E-mail:sales@sugatsune.in

**SUGATSUNE AMERICA, INC**

California, USA

Phone: +1 310 329 6373 E-mail:sales@sugatsune.com

**Chicago, USA**

Phone: +1 312 461 1081 E-mail:chicago showroom@sugatsune.com

**SUGATSUNE CANADA, INC.**

Phone: +1 514 312 5267 E-mail:support@sugatsune.ca