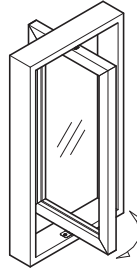


LAMP Pivot torque hinge HG-PTH30 Installation manual

Thank you for selecting our product. Before starting installation, please read this manual thoroughly to ensure correct installation. Please keep this manual at hand for future reference.

ABOUT THE PRODUCT

- Use: Indoor rotary window, rotary panels for machinery.
- Range of use: Max. Weight: 10 kg, Window width: 350 - 500 mm, Height: 700 - 1200 mm, Thickness: 28 - 35 mm
- Operating temperature range: 0~40°C
- Feature:
 - Enables rotary motion of window to allow airflow.
 - Torque hinge allows for easy adjustment of airflow.
 - Allows window to be quick released.



FOR YOUR SAFE WORK, CORRECT INSTALLATION, AND SAFE USE

Meaning of symbols



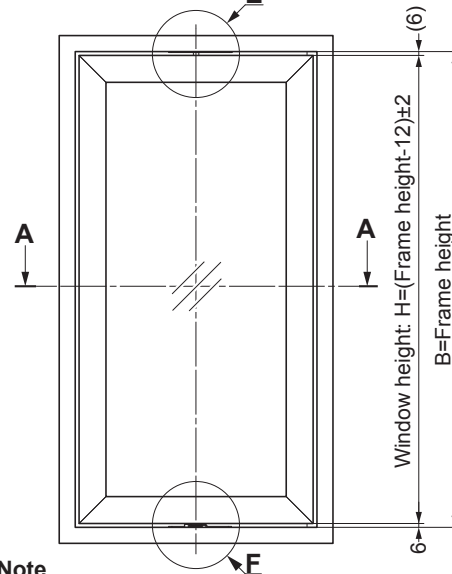
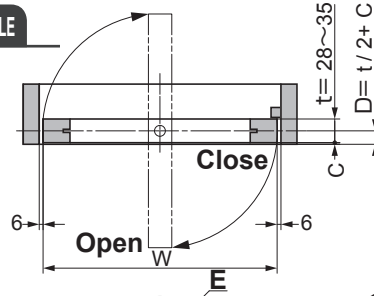
Caution If not followed injury or damage may result.

- ⊘ This product is for indoor use only. Do not use outside or anywhere where it will be exposed to water.
- ⊘ Do not use the hinge for a transom window which is exposed to strong winds.
- ⊘ Do not use lubricant on the hinges as it may damage them.
- ⊘ Be sure to use the retainer at the bottom. If you fail to fix the retainer, the window may fall.
- ⚠ Install a door stopper since the hinge can rotate 360°.
- ⚠ Operating torque of the window may vary according to the room temperature or wind.

COMPONENT PARTS

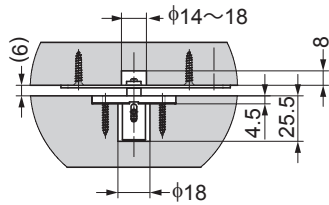
- ① Mounting plate (top) ... 1 pc
- ② Pivot hinge ... 1 pc
- ③ Torque hinge ... 1 pc
- ④ Mounting plate (bottom) ... 1 pc
- ⑤ Retainer ... 1 pc
- ⑥ Bind head tapping screw 4x20 ... 2 pcs
- ⑦ Countersunk head tapping screw 4x20 ... 8 pcs

INSTALLATION EXAMPLE

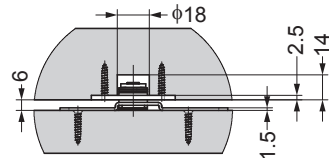


Note
Dimension (B-H) should be within 10 to 14 mm.

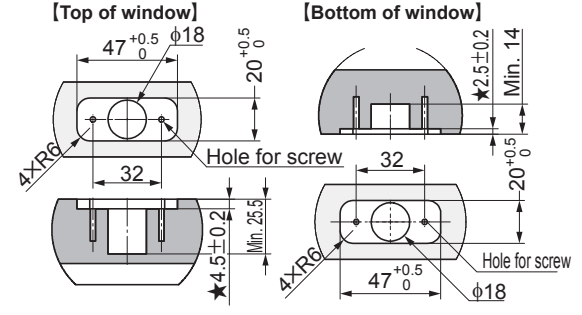
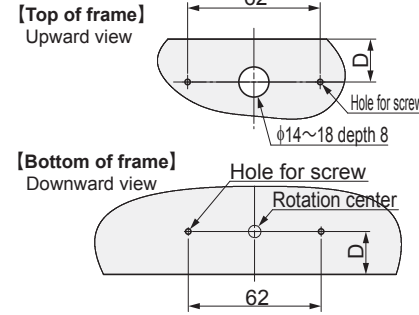
Detail E



Detail F



MOUNTING DIMENSIONS



INSTALLATION PROCEDURE

★ Determine the dimension so that the surface of the hinge will not protrude from the window.

- Fasten the mounting plate (top) ① and mounting plate (bottom) ④ onto the frame with screws.
- Fix the pivot hinge ② and torque hinge ③ on the window with screws.
- Incline the window, then insert it into the frame.
- Insert the shaft of the hinge ② into the mounting plate ① while holding the window inclined, then raise the window.
- Insert the hinge ③ into the mounting plate ④.
- With the arrow side facing up, insert the retainer ⑤ into the mounting plate ④.
- Close the window, then check the left and right gaps between the frame and the window. If necessary, adjust the gaps.

Caution
Be sure to fix the retainer ⑤ firmly. If you fail to fix the retainer, the window may fall.

In order to remove the window, rotate it 90°, then pull out the window while holding it inclined.

SUGATSUNE KOGYO CO., LTD
Tokyo, JAPAN
Phone: +81 (0)3 3866 2260 E-mail: export@sugatsune.co.jp

SUGATSUNE KOGYO (UK) LTD
Reading, UK
Phone: +44 118 9272 955 E-mail: sales@sugatsune.co.uk

SUGATSUNE EUROPE GmbH
Düsseldorf, GERMANY
Phone: +49 211 53812900 E-mail: sales@sugatsune.eu

SUGATSUNE SHANGHAI Co., LTD
Shanghai, CHINA
Phone: +86 21 3632 1858

Guangzhou, CHINA
Phone: +86 20 6639 3552 E-mail: lamp@sugatsune.com.cn

SUGATSUNE KOGYO INDIA PRIVATE LIMITED
Mumbai, INDIA
Phone: +91 22 28314490/91 E-mail: sales@sugatsune.in

SUGATSUNE AMERICA, INC
California, USA
Phone: +1 310 329 6373 E-mail: sales@sugatsune.com

Chicago, USA
Phone: +1 312 461 1081 E-mail: chicagoshowroom@sugatsune.com

SUGATSUNE CANADA, INC.
Phone: +1 514 312 5267 E-mail: support@sugatsune.ca