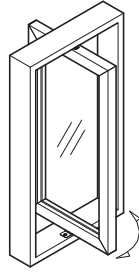


LAMP Pivot torque hinge HG-PTH30 Installation manual

ABOUT THE PRODUCT

- Use: Indoor rotary window, rotary panels for machinery.
- Range of use: Max. Weight: 10 kg, Window width: 350 - 500 mm, Height: 700 - 1200 mm, Thickness: 28 - 35 mm
- Operating temperature range: 0~40°C
- Feature:
 - Enables rotary motion of window to allow airflow.
 - Torque hinge allows for easy adjustment of airflow.
 - Allows window to be quick released.
- Torque :3.0±20% N·m(30.6±20% kgf·cm)



FOR YOUR SAFE WORK, CORRECT INSTALLATION, AND SAFE USE

Meaning of symbols Caution Prohibited Required

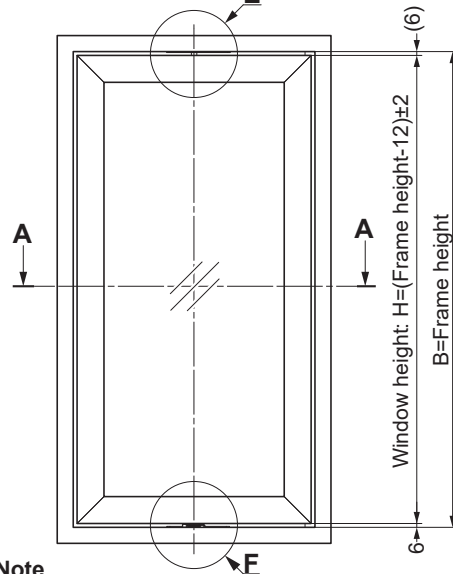
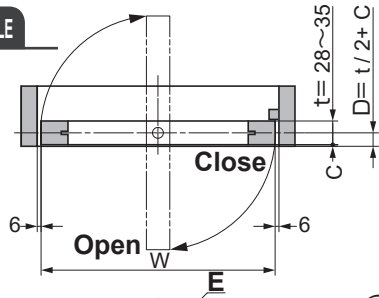
Caution If not followed injury or damage may result.

- This product is for indoor use only. Do not use outside or anywhere where it will be exposed to water.
- Be sure to use the retainer at the bottom. If you fail to fix the retainer, the window may fall.
- Do not use the hinge for a transom window which is exposed to strong winds.
- Install a door stopper since the hinge can rotate 360°.
- Do not use lubricant on the hinges as it may damage them.
- Operating torque of the window may vary according to the room temperature or wind.

COMPONENT PARTS

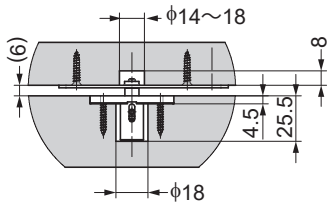
- ① Mounting plate (top) ... 1 pc
- ② Pivot hinge ... 1 pc
- ③ Torque hinge ... 1 pc
- ④ Mounting plate (bottom) ... 1 pc
- ⑤ Retainer ... 1 pc
- ⑥ Bind head tapping screw 4x20 ... 2 pcs
- ⑦ Countersunk head tapping screw 4x20 ... 8 pcs

INSTALLATION EXAMPLE

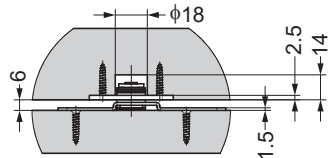


Note
Dimension (B-H) should be within 10 to 14 mm.

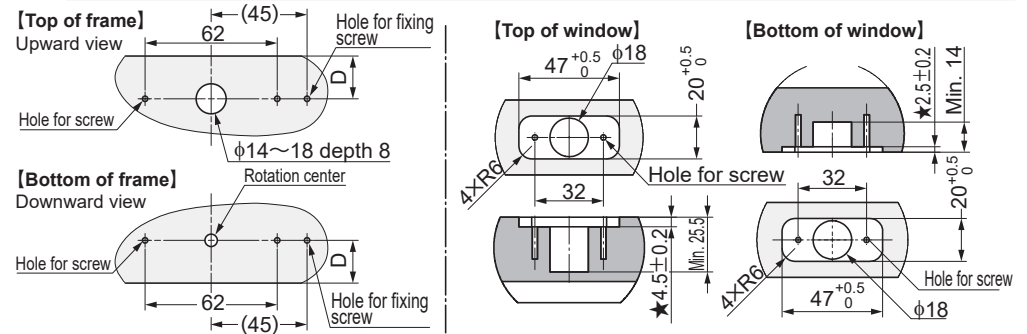
Detail E



Detail F



MOUNTING DIMENSIONS



INSTALLATION PROCEDURE

★ Determine the dimension so that the surface of the hinge will not protrude from the window.

- Fasten the mounting plate (top) ① and mounting plate (bottom) ④ onto the frame with screws.
- Fix the pivot hinge ② and torque hinge ③ on the window with screws.
- Incline the window, then insert it into the frame.
- Insert the shaft of the hinge ② into the mounting plate ① while holding the window inclined, then raise the window.
- Insert the hinge ③ into the mounting plate ④.
- With the arrow side facing up, insert the retainer ⑤ into the mounting plate ④.
- Close the window, then check the left and right gaps between the frame and the window. If necessary, adjust the gaps.

Caution
Be sure to fix the retainer ⑤ firmly. If you fail to fix the retainer, the window may fall.

In order to remove the window, rotate it 90°, then pull out the window while holding it inclined.

SUGATSUNE KOGYO CO., LTD.
Tokyo, JAPAN
Phone: +81 3 3866 2260
E-mail: export@sugatsune.co.jp

SUGATSUNE KOGYO (UK) LIMITED
Reading, UK
Phone: +44 1189 272 955
E-mail: sales@sugatsune.co.uk

SUGATSUNE EUROPE GmbH
Düsseldorf, GERMANY
Phone: +49 211 53812 900
E-mail: sales@sugatsune.eu

SUGATSUNE AMERICA, INC.
California, USA
Phone: +1 310 329 6373
E-mail: sales@sugatsune.com

Chicago, USA
Phone: +1 630 317 7072
E-mail: sales@sugatsune.com

SUGATSUNE CANADA, INC.
Montreal, CANADA
Phone: +1 514 312 6267
E-mail: support@sugatsune.ca

SUGATSUNE SHANGHAI CO., LTD.
Shanghai, CHINA
Phone: +86 21 3632 1858
E-mail: lamp@sugatsune.com.cn

Guangzhou, CHINA
Phone: +86 20 6639 3554
E-mail: lamp@sugatsune.com.cn

SUGATSUNE KOREA CO., LTD.
Incheon, KOREA
Phone: +82 32 222 0603
E-mail: sales@sugatsune-korea.co.kr

SUGATSUNE KOGYO INDIA PRIVATE LIMITED
Mumbai, INDIA
Phone: +91 9867299597
E-mail: sales@sugatsune.in

Delhi, INDIA
Phone: +91 9867299597
+91 11 45093636
E-mail: sales@sugatsune.in