

LAMP® SOFT DOWN STAY NSDX-35 2S (with 2 stops at 65 / 90)

Thank you for using our product. Before installation, please read this manual thoroughly to ensure correct installation. Please keep this manual at hand for future reference.

- This stay is designed for furniture or lightweight door and is equipped with a damping function.
- The company is conducting strict checks on the products. However, if any defects are found on the product, contact the retailer.
- Sugatsune warrants that this product is free from defect for a period of one (1) year from the date of delivery.
- Sugatsune liability is limited to the replacement of this product by a similar one free of defect. In no case does this extend to the replacement of the installation or the cabinet as a whole.

⚠ Caution If not followed, injury or damage may result.

- ⊘ Sugatsune cannot be held liable for any damage or injury caused by improper use or one different than the one this product was designed for.
- ⊘ Do not use excessive force to further open the completely opened door or to open/close the door as this could result in malfunction.
- ⊘ Do not force the door to close faster. It can cause damage to the product or hinge(s).
- ① Make sure that installation position and specifications are followed. Unsuitable installation position may damage the mechanism when in case two stays are used together.
- ① Make sure that the arm of the stay is parallel with the side panel of the cabinet.
- ① This product is designed to operate at room temperatures between 0°C to 40°C (32F-104F).
- ① This product has a spring at the elbow section. Please be careful not to get your fingers caught in elbow section while you are handling the unit.
- ① Performance of hardware will be affected by unique factors in each application. Hardware must be tested in intended application to confirm the function.
- ① This product is a part for furniture. After installation, please check the function and safety of the final product. Please inform the end user how to use the product safely.
- ① It is necessary to periodically check the fixing screws for loosening. Tighten the loosened screws as required.
- ① Please make sure to check the operation after installation.

Meaning of symbols

- ⚠ Warning Caution
- ⊘ Prohibited
- ① Required

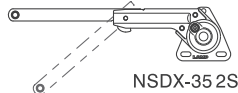
■ Model (For standard screw)

Code No.	Position	Suitable screw on stay	Suitable screw on mounting plate
NSDX-35L2S	Left	φ 3.5 × 15 ... 3	φ 3.5 × 15 ... 3
NSDX-35R2S	Right	φ 3.5 × 15 ... 3	φ 3.5 × 15 ... 3

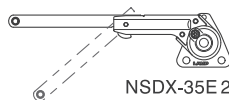
■ Model (For Euro screw)

Code No.	Position	Suitable screw on stay	Suitable screw on mounting plate
NSDX-35EL2S	Left	φ 6.2 ... 2	φ 3.5 × 15 ... 3
NSDX-35ER2S	Right	φ 6.2 ... 2	φ 3.5 × 15 ... 3

* φ 6.2 Euro Screw to be applied

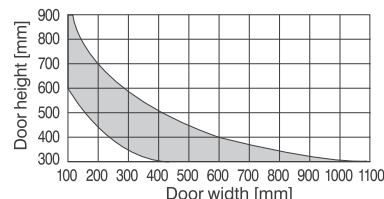
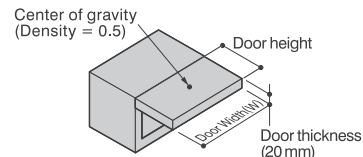


NSDX-35 2S



NSDX-35E 2S

This item is same design as NSDX-35, and item no. NSDX-35 2S is stamped at the back side of body.



*In case of usual wooden flap of 20 mm thickness (specific gravity approx. 0.5)

APPLICABLE DOOR WEIGHT AND SIZE

This product must be applied to a door with specific weight and size. Lined Section on the right of the graph indicates applicable door weight range based on 1 unit per door.

Note-1: In case of 2 units (right & left) per door are used Door Width can be twice as large, if the door height remains unchanged.

Note-2: In case of different door thickness or specific gravity, door weight must fit with following formula.

*1 unit per door:

$$\frac{1}{2} \text{ door height [m]} \times \text{door weight [kg]} \times 9.8 = 1.96 - 4.9 \text{ [N} \cdot \text{m]} \quad (20 \sim 50 \text{ [kgf} \cdot \text{cm]})$$

$$\left(\frac{1}{2} \text{ door height [inch]} \times \text{door weight [lb]} = 17 \sim 43 \text{ [lb} \cdot \text{inch]}\right)$$

*2 units (right & left) per door:

$$\frac{1}{2} \text{ door height [m]} \times \text{door weight [kg]} \times 9.8 = 3.92 - 9.8 \text{ [N} \cdot \text{m]} \quad (40 \sim 100 \text{ [kgf} \cdot \text{cm]})$$

$$\left(\frac{1}{2} \text{ door height [inch]} \times \text{door weight [lb]} = 35 \sim 85 \text{ [lb} \cdot \text{inch]}\right)$$

Above drawing shows for NSDX-35L2S (left hand side mounting) and NSDX-35R2S (Right hand side mounting) symmetrically.

Same mounting position is to be applied to the model of 35 EURO (type with EURO screw). Make a preparatory hole, Before drilling a φ6.2 EURO screw.

NSDX-35 2S INSTALLATION PROCEDURE

1. Mount the body and arm fixing plate on sideboard and back of door with tapping screws (φ3.5) to oval holes temporarily.
2. Align notch on mounting plate and hole on arm by rotating the stays to fix them.
3. Check the function and adjust mounting plate on oval holes. Then fix them with the tapping screws in the round holes of the stay and mounting plate.

NSDX-35E 2S INSTALLATION PROCEDURE

1. Mount the stay on sideboard by applying EURO screw (φ6.2) to the larger round holes on the body.
2. Mount the arm fixing plate on back of door with tapping screws (φ3.5) to the oval holes temporarily.
3. Align notch on mounting plate and hole on arm by rotating the body to fix them.
4. Check the function and adjust mounting plate on oval holes. Then fix them with the tapping screws in the round holes of the body and mounting plate.

*If the side board is not enough strength to support the stay, smaller round hole of the body must fix with tapping screw(φ3.5).

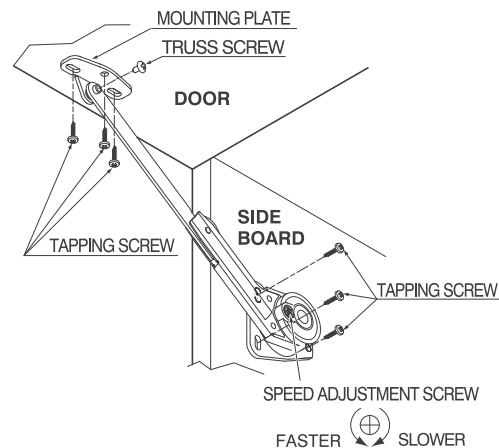
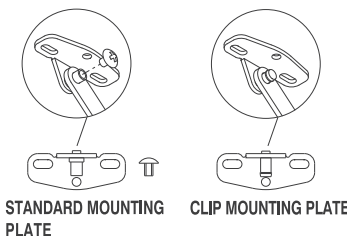
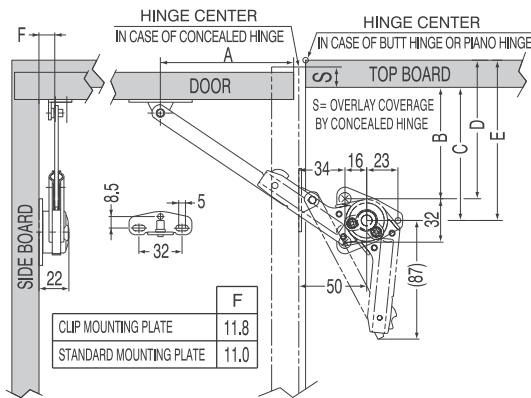
Mounting plates are available both in standard and clip type. When using a standard mounting plate type, be sure to fix it securely with supplied truss screw after installing the stay. When using a clip mounting plate type, be sure to insert arm completely.

■ CONCEALED HINGE (360-26-19T)

OPENING ANGLE	MEASUREMENT	A	B	C
		80° / 60°	106	105-S
90° / 65°		98	97-S	113-S
100° / 70°		92.5	91.5-S	107.5-S

■ PIANO HINGE OR BATT HINGE

OPENING ANGLE	MEASUREMENT	A	D	E
		80° / 60°	100	99
90° / 65°		91.5	90.5	106.5
100° / 70°		85	84	100



⚠ Caution

- ⊘ In using a clip mounting plate type, be careful not to hit the arm or apply excessive force, as it may cause the arm to fall off and cause unexpected injury.

SPEED ADJUSTMENT

Upon completion of installation, make sure the door opens and closes properly. To adjust the opening/closing speed of door, turn speed adjustment screw. In case 2 units (right & left) are used on a single door, the speed adjustment screws on both sides must be turned evenly.

⚠ Caution

- ① Do not turn the speed adjustment screw exceeding the limit.
- ① For speed adjustment, use a Philips (plus) screwdriver with φ5 or less.

SUGATSUNE KOGYO CO.,LTD
Tokyo, JAPAN
Phone: +81 (0)3 3866 2260 E-mail:export@sugatsune.co.jp

SUGATSUNE KOGYO (UK) LTD
Reading, UK
Phone: +44 118 9272 955 E-mail:sales@sugatsune.co.uk

SUGATSUNE EUROPE GmbH
Düsseldorf, GERMANY
Phone: +49 211 53812900 E-mail:sales@sugatsune.eu

SUGATSUNE SHANGHAI Co., LTD
Shanghai, CHINA
Phone: +86 21 3632 1858 E-mail:lamp@sugatsune.com.cn

Guangzhou, CHINA
Phone: +86 20 6639 3552 E-mail:lamp@sugatsune.com.cn

SUGATSUNE KOGYO INDIA PRIVATE LIMITED
Mumbai, INDIA
Phone: +91 22 28314490/91 E-mail:sales@sugatsune.in

SUGATSUNE AMERICA, INC
California, USA
Phone: +1 310 329 6373 E-mail:sales@sugatsune.com

Chicago, USA
Phone: +1 312 461 1081 E-mail:chicagoshowroom@sugatsune.com

SUGATSUNE CANADA, INC.
Phone: +1 514 312 5267 E-mail:support@sugatsune.ca