

Installation instructions

LAMP

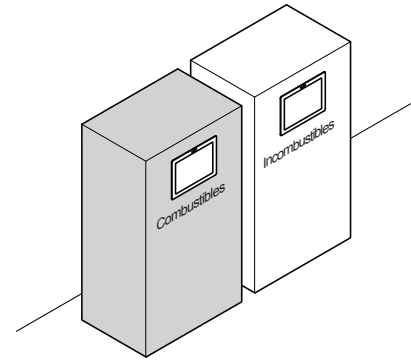
AZ-GD400-HL

MULTI-PURPOSE LID (W/DAMPER)

Thank you for selecting our product. Before starting installation, please read this manual thoroughly to ensure correct installation. Please keep this manual at hand for future reference.

ABOUT THE PRODUCT

- Damper allows silent closing of lid.
- Side plates for anti-pinch function.



FOR YOUR SAFE WORK AND CORRECT INSTALLATION

Meaning of symbols

Warning Caution	Prohibited	Required
---------------------------	-------------------	-----------------

Caution If not followed injury or damage may result.

- ❗ The product is designed to function when installed vertically as shown below. Horizontal, slanted or upside down installation will result in improper function and may lead to injury.
- ❗ To prevent the risk of the product falling and causing injury, ensure that the lid body is securely fastened to a structure with adequate strength.
- ⊘ Do not disassemble nor modify any parts other than those described in this document.
- ❗ Recommended ambient temperature range is 0 to 40 degrees centigrade.
- ❗ The closing speed of the lid may vary according to ambient temperature. If the product is stored below zero degrees, please store in room temperature for several hours before use.

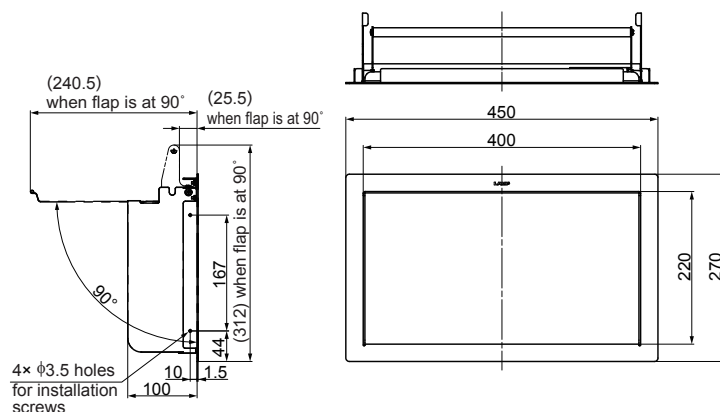
PARTS DESCRIPTION

Description	Quantity
Flap lid body	1
Warning sticker	1
Cover cap	4

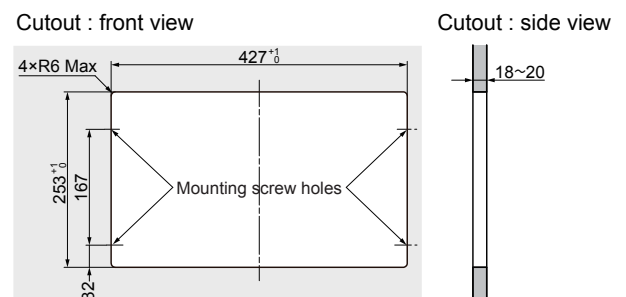
TOOLS NEEDED FOR INSTALLATION

- Screws (not provided)
Choose the suitable length according to the material to be mounted.
Recommended screw : 3mm tapping screw 4 pcs

DIMENSION DRAWING



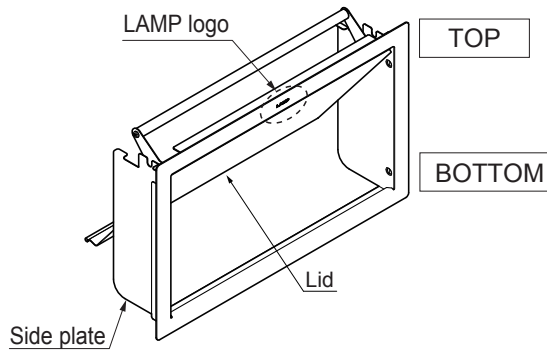
CUTOUT DIMENSIONS



INSTALLATION PROCEDURE

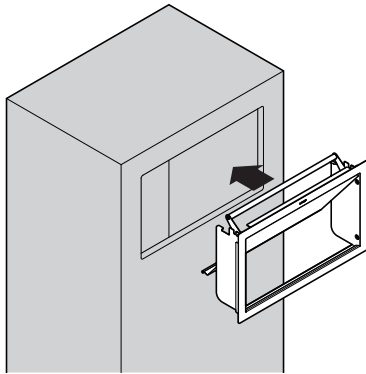
1

Make sure that the LAMP logo is at the top.



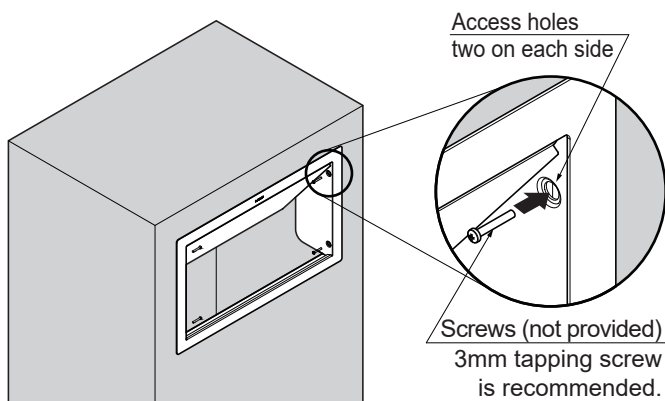
2

Do not leave any gap between the flap lid body and the mounting surface.



3

- [1] Having opened the lid, insert the screws through the provided access screw holes (two on each side) and fasten the flap lid body securely.
- [2] Make sure that the final assembly is securely fastened.

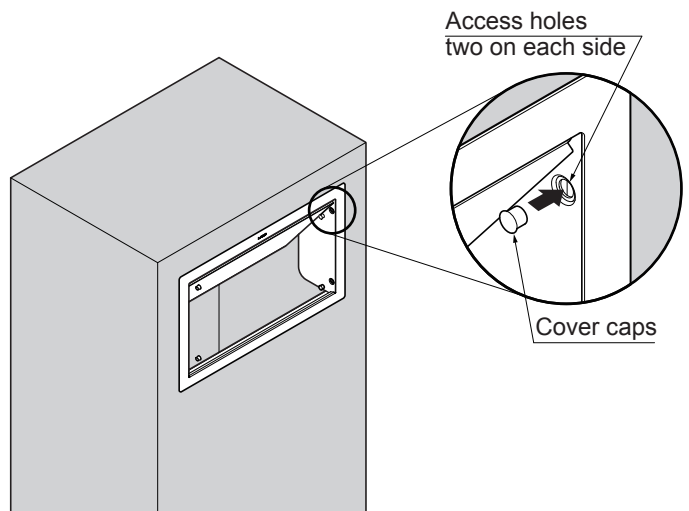


4

Slowly open and close the lid completely a few times in order to ensure correct operation.

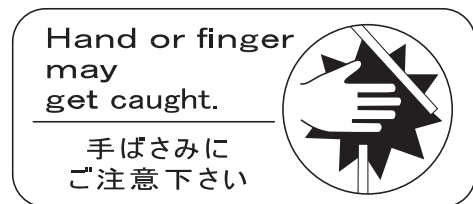
5

Cover the access holes with the cover caps provided.



6

Paste the warning sticker in a visible position to avoid any injury when operating the lid.



2

SUGATSUNE KOGYO CO., LTD.
Tokyo, JAPAN
Phone: +81 3 3866 2260
E-mail: export@sugatsune.co.jp

SUGATSUNE KOGYO (UK) LIMITED
Reading, UK
Phone: +44 1189 272 955
E-mail: sales@sugatsune.co.uk

SUGATSUNE EUROPE GmbH
Düsseldorf, GERMANY
Phone: +49 211 53812 900
E-mail: sales@sugatsune.eu

SUGATSUNE AMERICA, INC.
California, USA
Phone: +1 310 329 6373
E-mail: sales@sugatsune.com

Chicago, USA
Phone: +1 630 317 7072
E-mail: sales@sugatsune.com

SUGATSUNE CANADA, INC.
Montreal, CANADA
Phone: +1 514 312 5267
E-mail: support@sugatsune.ca

SUGATSUNE SHANGHAI CO., LTD.
Shanghai, CHINA
Phone: +86 21 3632 1858
E-mail: lamp@sugatsune.com.cn

Guangzhou, CHINA
Phone: +86 20 6639 3554
E-mail: lamp@sugatsune.com.cn

SUGATSUNE KOREA CO., LTD.
Incheon, KOREA
Phone: +82 32 220 0603
E-mail: sales@sugatsune-korea.co.kr

SUGATSUNE KOGYO INDIA PRIVATE LIMITED
Mumbai, INDIA
Phone: +91 9867299597
E-mail: sales@sugatsune.in
Delhi, INDIA
Phone: +91 9867299597
+91 11 45093636
E-mail: sales@sugatsune.in