



LAMP® XL-GC07 Glass Hinge – Installation Manual

Caution Using this product without observing these instructions may result in the product failure, injury or installation failure.

Parts description

(Parts included in each set .)

- ①  ...Hinge Body with Catch Unit x1
- ②  ...Back Plate x1
- ③  ...Back Plate Gasket x1
- ④  ...Gasket x1
- ⑤  ...Tube x1
- ⑥  ...Round Head Washer Phillips Screw x2
- ⑦  ...Wood Screw x4 (4.5x20 Flat Head)
- ⑧  ...Finger Jamming Caution Sticker x1

Wood Frame (Completed installation)

4 sets are necessary for the installation shown in below.

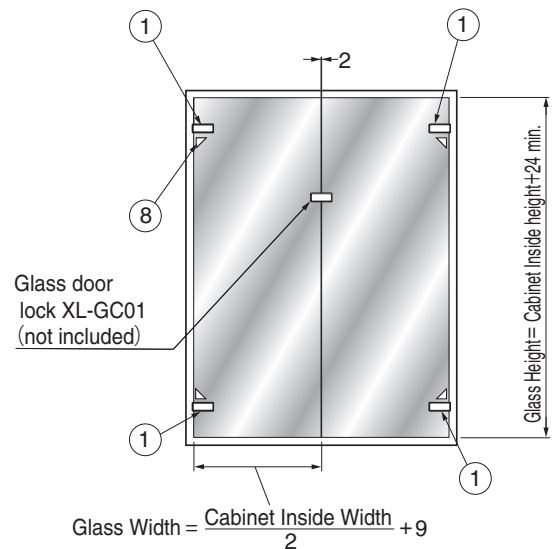
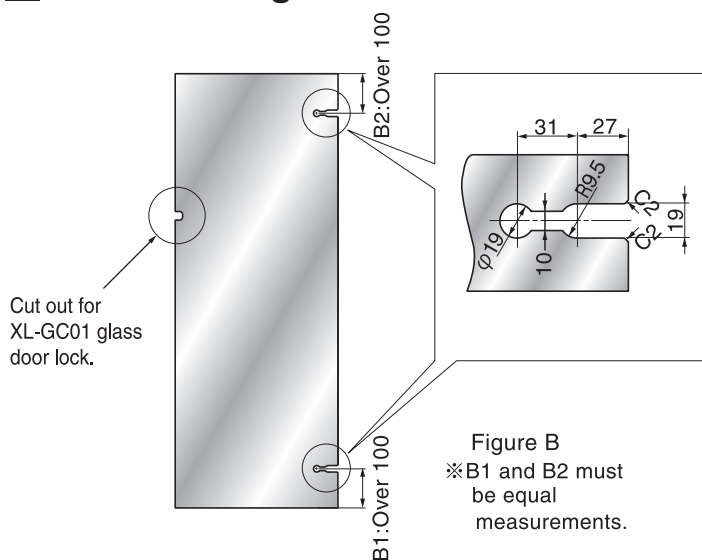
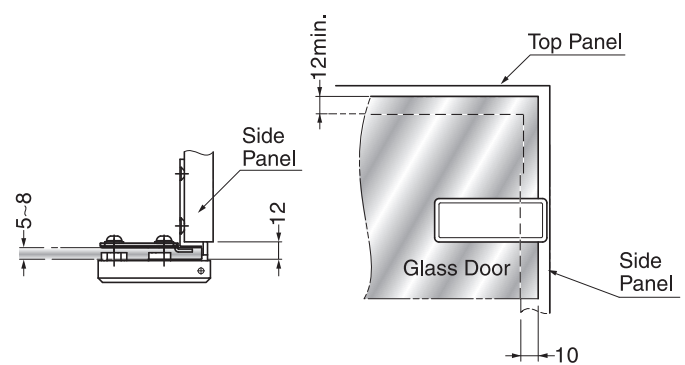


Figure A

Glass Cutting



Hinge Installation



Caution

- Applicable glass door size is within W500 mm × H1200 mm. Maximum applicable weight is 12 kg.
- Applicable glass thickness is 5, 6 or 8 mm.
- If you have any questions on glass processing, please consult your glazing company.

⚠ Caution

Place a soft cloth on the floor before installation or glass may be scratched.

1 Hinge Assembly

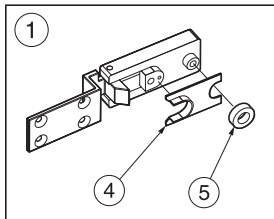


Figure D

Set the gasket ④ and tube ⑤ on the hinge ① as shown in **Figure D**.

2 Hinge Assembly

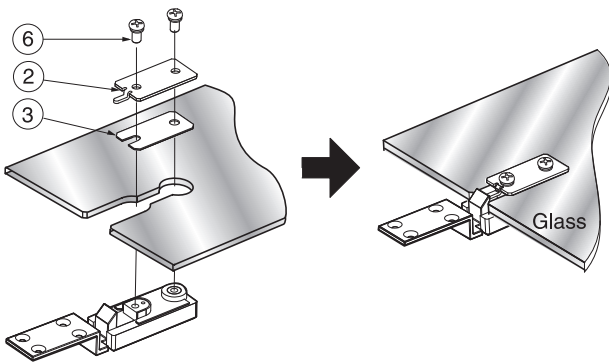


Figure E

Put the hinge assembly shown in **Figure D** on the glass. Then set the back plate gasket ③ and back plate ② as shown in **Figure E** and fasten with fixing screws ⑥

3 Door Installation

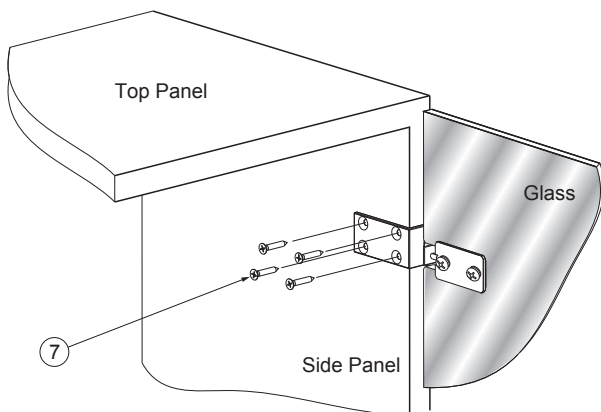


Figure F

Secure the hinge with wood screws ⑦ to the side panel as shown in **Figure F**.

Lastly, affix the finger jamming caution sticker ⑧ as shown in **Figure A**.

SUGATSUNE KOGYO CO.,LTD
Tokyo, JAPAN
Phone: +81 (0)3 3866 2260 E-mail:export@sugatsune.co.jp

SUGATSUNE KOGYO (UK) LTD
Reading, UK
Phone: +44 118 9272 955 E-mail:sales@sugatsune.co.uk

SUGATSUNE EUROPE GmbH
Düsseldorf, GERMANY
Phone: +49 211 53812900 E-mail:sales@sugatsune.eu

ISO9001(Japan Offices and Sugatsune America) and ISO14001(Chiba Production division and Logistics center), certified.

SUGATSUNE SHANGHAI Co., LTD
Shanghai, CHINA
Phone: +86 21 3632 1858 E-mail:lamp@sugatsune.com.cn

Guangzhou, CHINA
Phone: +86 20 6639 3552 E-mail:lamp@sugatsune.com.cn

SUGATSUNE KOGYO INDIA PRIVATE LIMITED
Mumbai, INDIA
Phone: +91 22 28314490/91 E-mail:sales@sugatsune.in

SUGATSUNE AMERICA, INC
California, USA
Phone: +1 310 329 6373 E-mail:sales@sugatsune.com

Chicago, USA
Phone: +1 312 461 1081 E-mail:chicagoshowroom@sugatsune.com.

SUGATSUNE CANADA, INC.
Phone: +1 514 312 5267 E-mail:support@sugatsune.ca

2019.03 1307-1