

LAMP® HES-3030PR CONCEALED HINGE INSTALLATION INSTRUCTIONS

Thank you for selecting our product. Before starting installation, please read this manual thoroughly to ensure correct installation. Please keep this manual at hand for future reference.

ABOUT THE PRODUCT

• Concealed hinge for small cabinet door or partition.

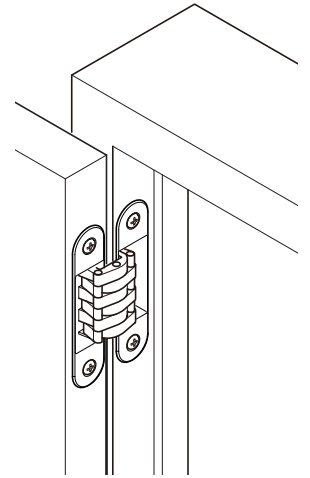
FOR YOUR SAFE WORK AND CORRECT INSTALLATION

Meaning of symbols

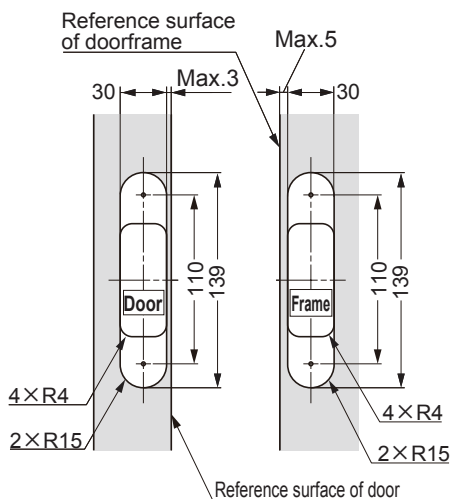


Caution If not followed, injury or damage may result.

- ❗ Make sure to follow the designated dimensions.
- ❗ Consider the sag of the door when determining the gap between the door and frame. (See "DIMENSIONS" section.)
- ❗ Make sure to check the screws for slack at regular intervals.

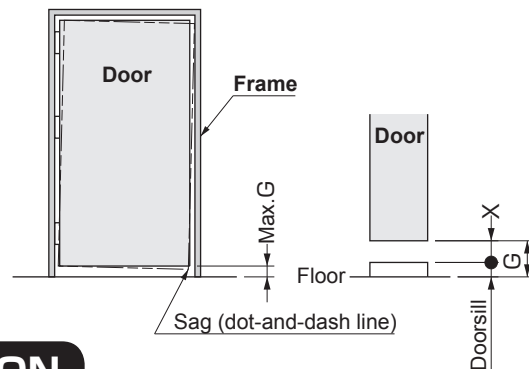


DIMENSIONS

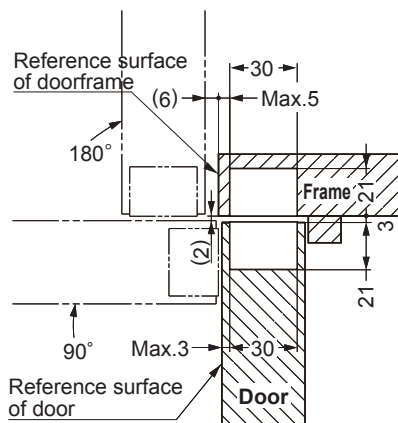


Gap between door and frame

Consider the sag of the door when determining the gap between the door and frame.
 Door height: 2000mm × Width: 900mm × Thickness: 36mm
 Door weight: 25 kg Use three hinges
 X: Min. 6 mm G: X + Doorsill



INSTALLATION DRAWING

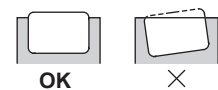


INSTALLATION

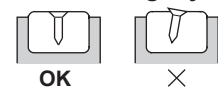
- [1] Insert the hinge into the mounting hole of the door, and fasten firmly with the provided screw. (Bind tapping screw 6x20) Check if hinge is mounted straightly. (See the caution on the right.)
- [2] While holding the door insert the hinge into the mounting hole on the frame.
- [3] Retighten all of the screws.

Caution

Mount straightly.



Screw straightly.



SUGATSUNE KOGYO CO.,LTD
 Tokyo, JAPAN
 Phone: +81 (0)3 3866 2260 E-mail:export@sugatsune.co.jp

SUGATSUNE KOGYO (UK) LTD
 Reading, UK
 Phone: +44 118 9272 955 E-mail:sales@sugatsune.co.uk

SUGATSUNE EUROPE GmbH
 Düsseldorf, GERMANY
 Phone: +49 211 53812900 E-mail:sales@sugatsune.eu
 ISO9001(Japan Offices and Sugatsune America) and ISO14001(Chiba Production division and Logistics center), certified.

SUGATSUNE SHANGHAI Co., LTD
 Shanghai, CHINA
 Phone: +86 21 3632 1858 E-mail:lamp@sugatsune.com.cn

Guangzhou, CHINA
 Phone: +86 20 6639 3552 E-mail:lamp@sugatsune.com.cn

SUGATSUNE KOGYO INDIA PRIVATE LIMITED
 Mumbai, INDIA
 Phone: +91 22 28314490/91 E-mail:sales@sugatsune.in

SUGATSUNE AMERICA, INC
 California, USA
 Phone: +1 310 329 6373 E-mail:sales@sugatsune.com

Chicago, USA
 Phone: +1 312 461 1081 E-mail:chicagoshowroom@sugatsune.com.

SUGATSUNE CANADA, INC.
 Phone: +1 514 312 5267 E-mail:support@sugatsune.ca