

# Installation instructions

**LAMP**

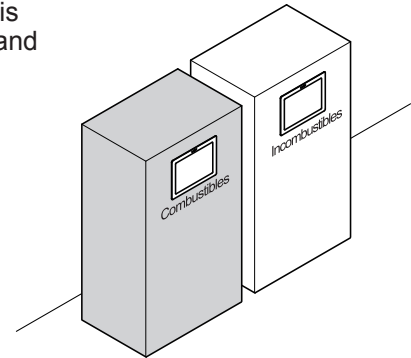
## AZ-GD230-HL

### MULTI-PURPOSE LID (W/DAMPER)

Thank you for selecting our product. Before starting installation, please read this manual thoroughly to ensure correct installation. Please keep this manual at hand for future reference.

#### ABOUT THE PRODUCT

- Damper allows silent closing of lid.
- Side plates for anti-pinch function.



#### FOR YOUR SAFE WORK AND CORRECT INSTALLATION

##### Meaning of symbols

	<b>Warning</b> Caution		<b>Prohibited</b>		<b>Required</b>
--	---------------------------	--	-------------------	--	-----------------

##### **Caution** If not followed injury or damage may result.

- ❗ This product is designed to function when installed vertically as shown below. Horizontal, slanted or upside down installation will result in improper function and may lead to injury.
- ❗ To prevent the risk of the product falling and causing injury, ensure that the AZ-GD230-HL is securely fastened to a structure with adequate strength.
- ❗ Do not disassemble nor modify any parts other than those described in this document.
- ⚠ Recommended ambient temperature range is 0 to 40 degrees centigrade.
- ❗ The closing speed of the lid may vary according to ambient temperature. If the product is stored below zero degrees, please store in room temperature for several hours before use.

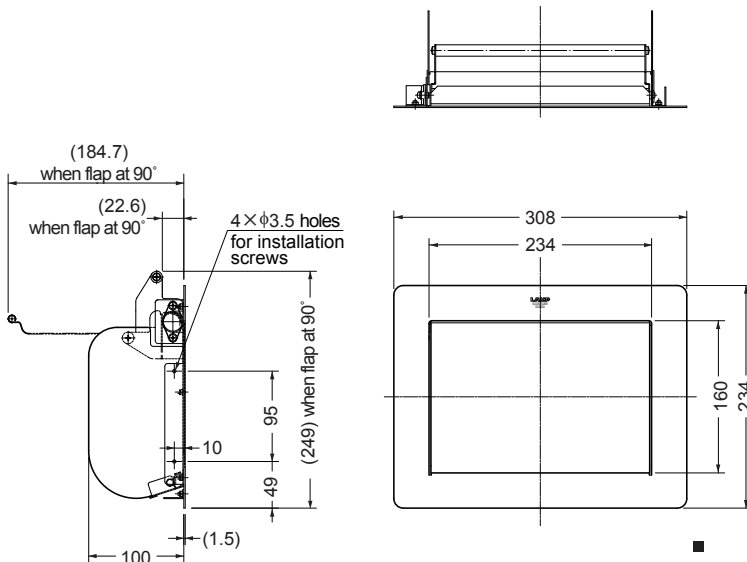
#### PARTS DESCRIPTION

Description	Quantity
Flap lid body	1
Warning sticker	1
Cover cap	4

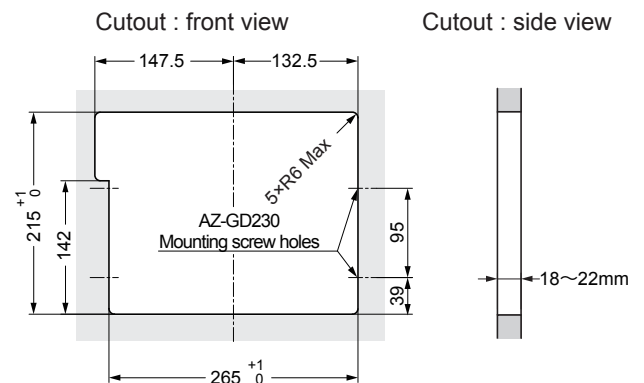
#### TOOLS NEEDED FOR INSTALLATION

- Screws (not provided)  
Choose the suitable length according to the material to be mounted.
- Recommended screw : 3mm tapping screw . . . . . 4 pcs

#### DIMENSION DRAWING



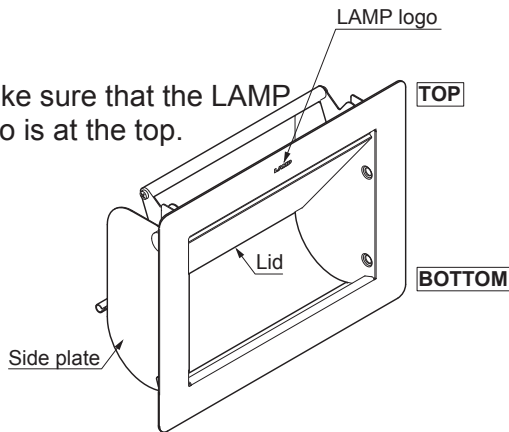
#### CUTOUT DIMENSIONS



# INSTALLATION PROCEDURE

1

Make sure that the LAMP logo is at the top.

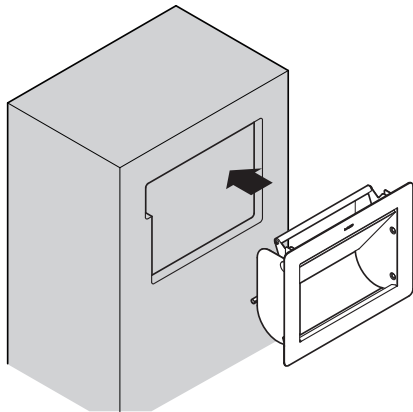


4

Slowly open and close the lid completely a few times in order to ensure correct operation.

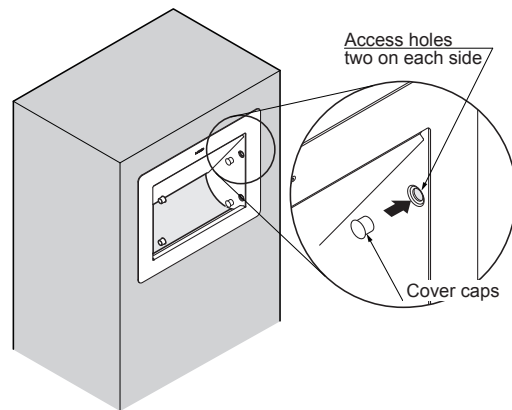
2

Do not leave any gap between the flap lid body and the mounting surface.



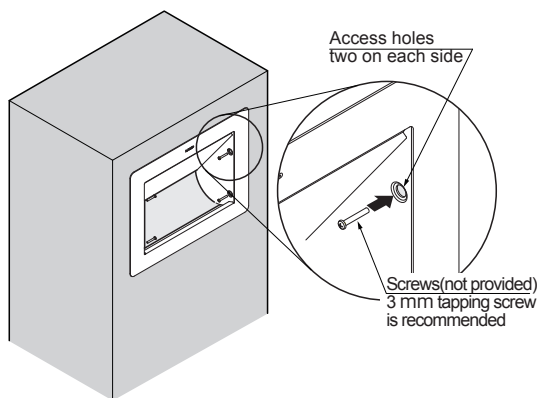
5

Cover the access holes with the cover caps provided.



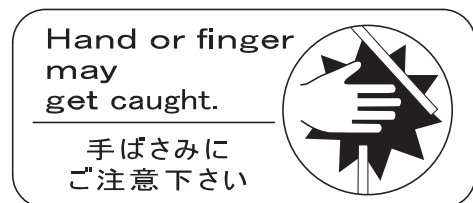
3

- [1] Having opened the lid, insert the screws through the provided access screw holes (two on each side) and fasten the flap lid body securely.
- [2] Make sure that the final assembly is securely fastened.



6

Paste the warning sticker in a visible position to avoid any injury when operating the lid.



**SUGATSUNE KOGYO CO., LTD.**  
Tokyo, JAPAN  
Phone: +81 3 3866 2260  
E-mail: export@sugatsune.co.jp

**SUGATSUNE KOGYO (UK) LIMITED**  
Reading, UK  
Phone: +44 1189 272 955  
E-mail: sales@sugatsune.co.uk

**SUGATSUNE EUROPE GmbH**  
Düsseldorf, GERMANY  
Phone: +49 211 53812 900  
E-mail: sales@sugatsune.eu

**SUGATSUNE AMERICA, INC.**  
California, USA  
Phone: +1 310 329 6373  
E-mail: sales@sugatsune.com

**Chicago, USA**  
Phone: +1 630 317 7072  
E-mail: sales@sugatsune.com

**SUGATSUNE CANADA, INC.**  
Montreal, CANADA  
Phone: +1 514 312 5267  
E-mail: support@sugatsune.ca

**SUGATSUNE SHANGHAI CO., LTD.**  
Shanghai, CHINA  
Phone: +86 21 3632 1858  
E-mail: lamp@sugatsune.com.cn

**Guangzhou, CHINA**  
Phone: +86 20 6639 3554  
E-mail: lamp@sugatsune.com.cn

**SUGATSUNE KOREA CO., LTD.**  
Incheon, KOREA  
Phone: +82 32 220 0603  
E-mail: sales@sugatsune-korea.co.kr

**SUGATSUNE KOGYO INDIA PRIVATE LIMITED**  
Mumbai, INDIA  
Phone: +91 9867299597  
E-mail: sales@sugatsune.in

**Delhi, INDIA**  
Phone: +91 9867299597  
+91 11 45093636  
E-mail: sales@sugatsune.in