

**LAMP****HES****INSTALLATION MANUAL****FOR HES3D-120-A100 CONCEALED HINGE**

Thank you for selecting our product. Before starting installation, please read this manual thoroughly to ensure correct installation. Please keep this manual at hand for future reference.

**ABOUT THE PRODUCT**

- This product is a concealed hinge for indoor use to be recessed in the cut out on door and doorframe.
- 3 way adjustment function allows vertical, horizontal, and depth adjustment.

**DOOR SPECIFICATION**

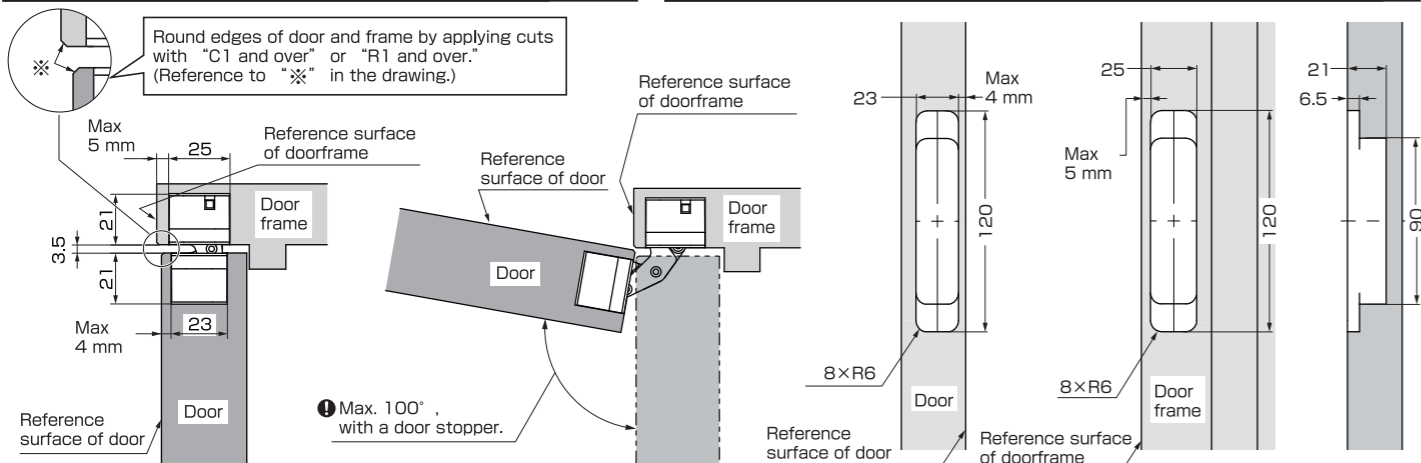
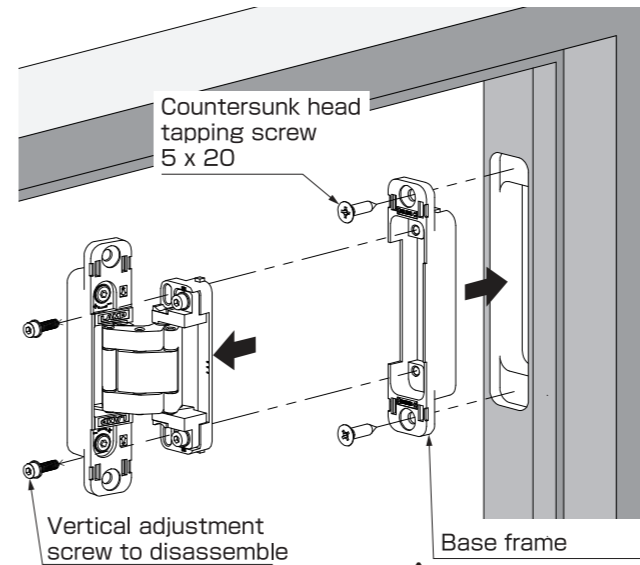
Min. Door thickness	29 mm
Max. Door weight	30kg per 2 hinges, 40kg per 3 hinges
Max. Door size	Width: 900 mm, Height: 2400 mm

**COMPONENT PARTS (PER BOX)**

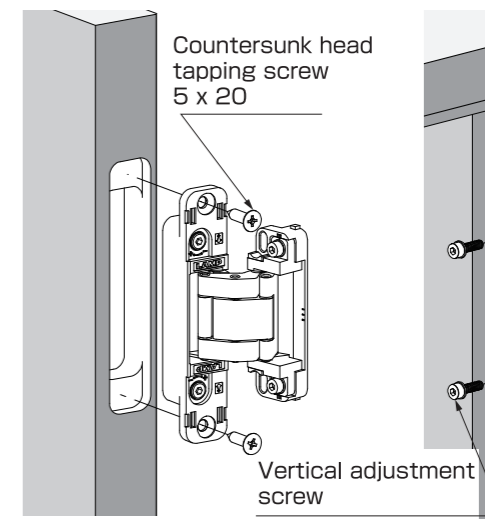
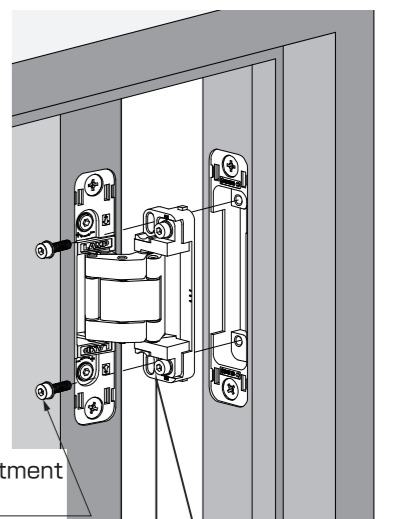
· Concealed hinge	2 pcs
· Screw cover	4 pcs x 2 bags
· Template	1 pc
· Countersunk head tapping screw 5x20	4 pcs x 2 bags
· Hex Key 3 mm	1 pc

**FOR YOUR SAFE WORK AND CORRECT INSTALLATION****Meaning of symbols****Caution: If these cautions are not followed, it may result in injury or damage.**

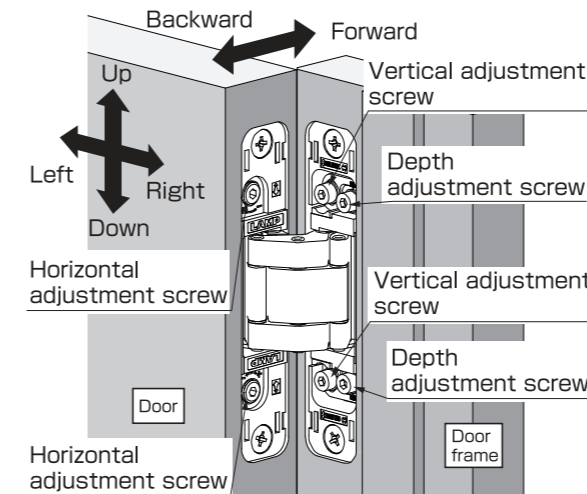
- ❗ It is necessary to manufacture the frame with sufficient strength so that it endures the weight of the door and any impact upon opening/closing the door. Only use designated screws and ensure that they are fastened firmly. A frame with poor strength or loose screws might result in the door falling and causing injury.
- ⊘ Do not try to use this product for anything other than its original purpose. Do not use any part for applications outside of its specification.
- ⊘ Use in conjunction with a door closer is not recommended. For soft-close option, we recommend Sugatsune LDD-V or LDD-S door damper.
- ❗ Make sure to follow the designated dimensions, specifications, and horizontal/vertical angles. Make sure that the frame is not warped, since it may affect the movement of the door.
- ❗ This product is a part for architectural fittings. After installation, make sure to test the finished product thoroughly to ensure that it is well-functioning and safe. Please inform the end user about general precautions and safety to prevent improper use.
- ❗ Make sure to check the screws for slack at regular intervals (one month from first usage, half a year, and then one time every year is recommended).
- ❗ Be sure to use a door stopper which restrict the opening angle within 100°. If not, the hinge may be broken and the door may fall.

**INSTALLATION DRAWING (EXAMPLE)****CUT OUT DRAWING FOR DOOR AND DOORFRAME****SUGATSUNE****1****INSTALLATION PROCEDURE****1 Installing Base frame to Cabinet**

⚠ Check the mounting direction by coupling it with Hinge main body.

**2 Installing Hinge to Door****3 Hanging Door**

While holding the door, insert Hinge main body into the Base frame on Doorframe. Keep holding the door and fix the hinge with the fixing screws at once.

**ADJUSTING DOOR POSITION****Vertical, depth adjustment**

Loosen the screws 180° -360°, then hold the door at the suitable position and re-tighten the screws. Use wedges to support the door. (Tightening torque is 3.5 N·m.)

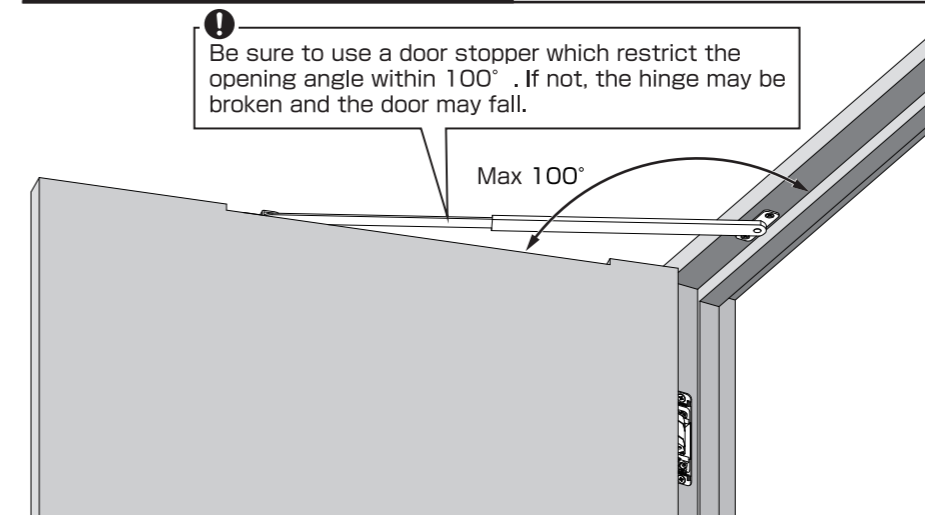
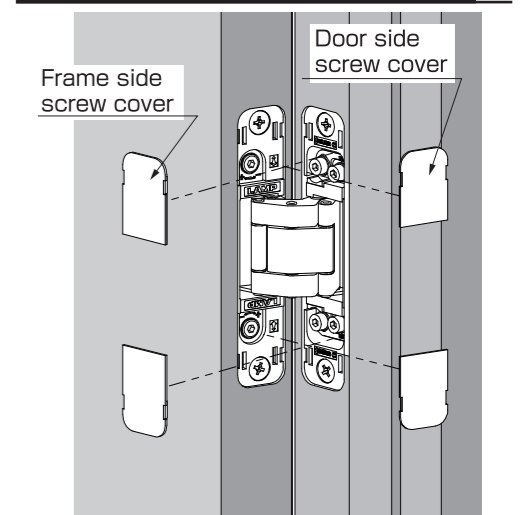
⊘ Do not remove depth adjustment screw. The door may be dropped.

**Horizontal adjustment**

Turn the two screws to move the door to the left or right. (Turn the screws clockwise to move the door to the left.)

❗ Turn both screws little by little, same amount. The hinge may be broken if you keep turning one screw only.

⚠ Horizontal adjustment range is ± 2 mm. When turning the screw to the right, if you move the part more than 2 mm, the cover cannot be put on, since the part protrudes. If you still turn the screw, the door will be dropped.

**INSTALLING DOOR STOPPER****MOUNTING SCREW COVERS**

**SUGATSUNE KOGYO CO.,LTD**  
Tokyo, JAPAN  
Phone: +81 (0)3 3866 2260 E-mail:export@sugatsune.co.jp

**SUGATSUNE KOGYO (UK) LTD**  
Reading, UK  
Phone: +44 118 9272 955 E-mail:sales@sugatsune.co.uk

**SUGATSUNE EUROPE GmbH**  
Düsseldorf, GERMANY  
Phone: +49 211 53812900 E-mail:sales@sugatsune.eu

ISO9001(Japan Offices and Sugatsune America) and ISO14001(Chiba Production division and Logistics center), certified.

**SUGATSUNE SHANGHAI Co., LTD**  
Shanghai, CHINA  
Phone: +86 21 3632 1858 E-mail:lamp@sugatsune.com.cn

**Guangzhou, CHINA**  
Phone: +86 20 6639 3552 E-mail:lamp@sugatsune.com.cn

**SUGATSUNE KOGYO INDIA PRIVATE LIMITED**  
Mumbai, INDIA  
Phone: +91 22 28314490/91 E-mail:sales@sugatsune.in

**SUGATSUNE AMERICA, INC**  
California, USA  
Phone: +1 310 329 6373 E-mail:sales@sugatsune.com

**Chicago, USA**  
Phone: +1 312 461 1081 E-mail:chicagoshowroom@sugatsune.com.

**SUGATSUNE CANADA, INC.**  
Phone: +1 514 312 5267 E-mail:support@sugatsune.ca

2019.04 1313-1

**2**