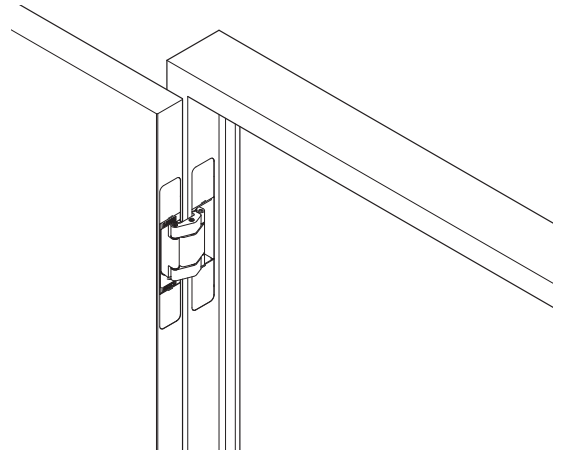


LAMP[®] HES[®] INSTALLATION MANUAL FOR HES3D-E160 CONCEALED HINGE



Thank you for using our product. Before installation, please read this manual thoroughly to ensure correct installation. Please keep this manual at hand for future reference.

ABOUT THE PRODUCT

- This product is a concealed the hinge for indoor use, that is recessed into the door and doorframe.
- Three dimensional adjustment function allows vertical, horizontal, and depth adjustment.

DOOR SPECIFICATION

Min. Door thickness	36 mm
Max. Door weight	55 kg per 2 hinges, 70 kg per 3 hinges
Max. Door size	Width: 900 mm, Height: 2400 mm

COMPONENT PARTS (PER BOX)

- Concealed hinge 2 pcs
- Screw cover 4 pcs × 2 bags
- Template 1 pc
- Countersunk head tapping screw 5 × 25 8 pcs × 2 bags
- Hex Key 4mm 1 pc

FOR YOUR SAFETY AND CORRECT INSTALLATION

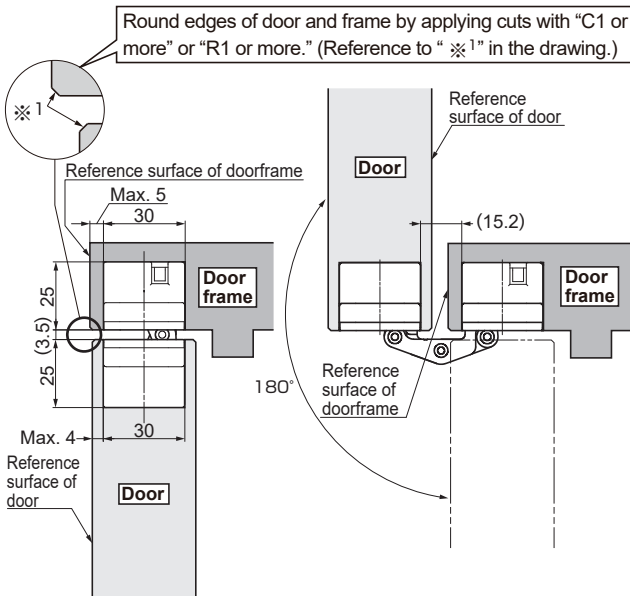
Meaning of symbols

Warning Caution	Prohibited	Required
-----------------	------------	----------

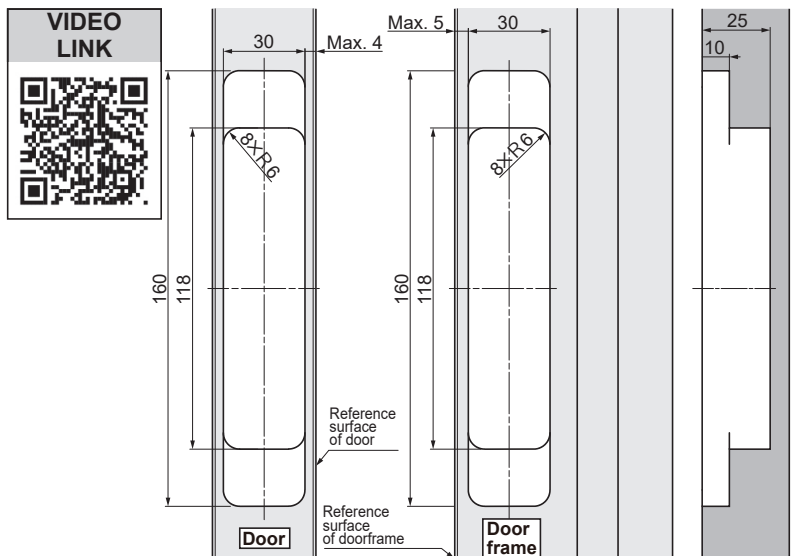
Caution: If not followed, injury or damage may result.

- Provide a frame that can withstand the weight and impact of opening and closing the door. Be sure to use the specified screws and tighten them securely. If the mounting strength is insufficient, the door may fall and cause injury.
- Do not use this product for any other purpose, or with doors that are outside the specifications of this manual.
- Use in conjunction with a door closer is not recommended. For soft-close option, we recommend Sugatsune LDD-V or LDD-S door damper.
- Follow the specified dimensions, specifications, and alignment of the door and frame. Warping, tilting or twisting of the frame or door may cause failure.
- This product is a part for architectural fittings. After installation, please check the function and safety of the final product. Please inform the end user how to use the product safely.
- Make sure to check the screws for slack at regular intervals (one month from first usage, half a year, and then one time every year is recommended).

INSTALLATION DRAWING (EXAMPLE)

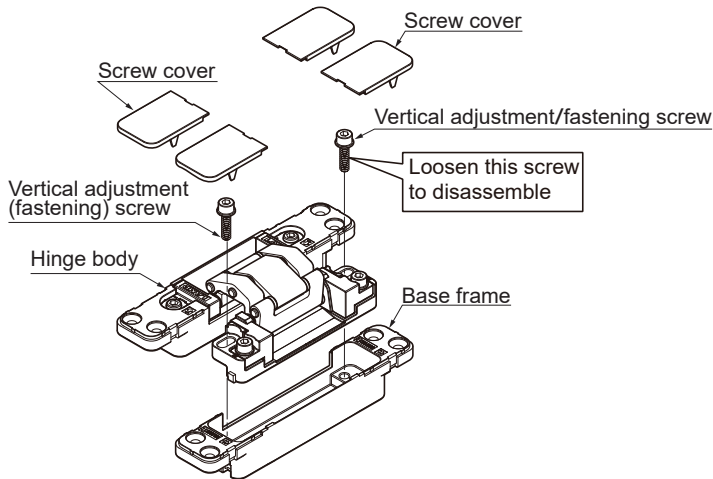


CUT OUT DRAWING FOR DOOR AND DOORFRAME

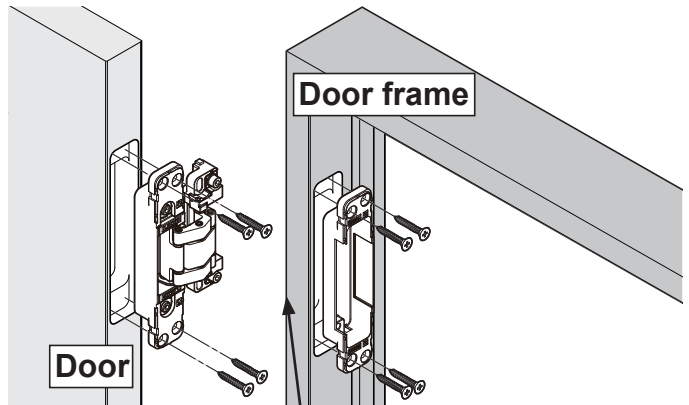


INSTALLATION PROCEDURE

1 Disassembly of Hinge



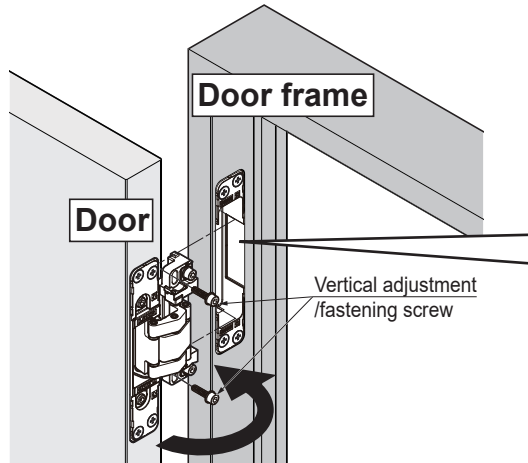
2 Installing Hinge to Door and Door frame



⚠ Caution

- 1 Before installing base frame into doorframe, check that it is oriented correctly. If the orientation is incorrect, the door cannot be installed.

3 Hanging Door



- [1] Insert each hinge body (door side) deep into the base frame.
- [2] Hang the hinge body on the base frame. (Provisional holding state).

⚠ Caution

- 1 Do not move the door at this stage as it may fall off.

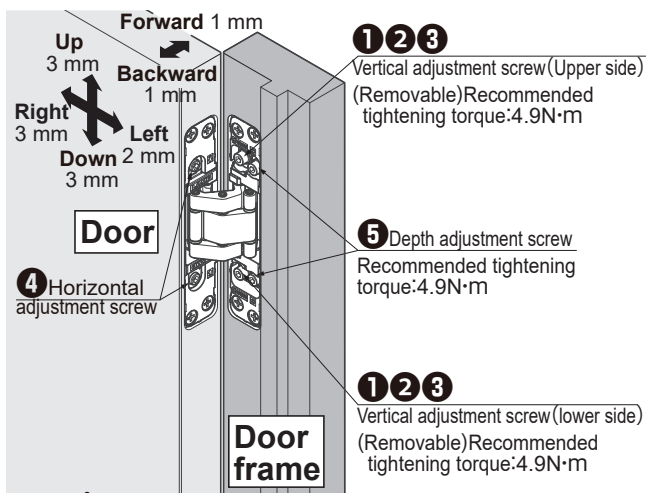
- [3] While supporting the door, quickly tighten and secure the up and down adjustment screws to the position shown on the left.

VIDEO LINK



ADJUSTING DOOR POSITION

※ The arrows should point in the direction of adjustment when the door is closed.



- 1-5 is the order of adjustment. Please put a supporting spacer under the door when adjusting it. There are two adjustment screws on one hinge.

Vertical adjustment

- 1 Loosen the adjusting screw one turn.
- 2 Lifted the door to the correct height.
- 3 Finally, secure the adjusting screw.

Horizontal adjustment

- 4 Rotate the adjustment screw to the correct position.

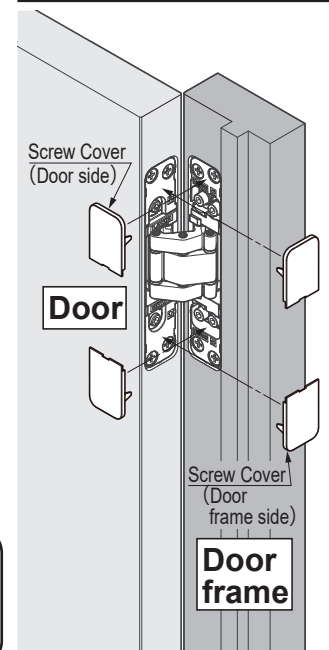
Depth adjustment

- 5 Loosen the adjusting screw one turn and secure it in the optimum position.

⚠ Caution

- 1 When adjusting the horizontal position, turn the two screws a little, by the same amount. The hinge may be broken if you keep turning one screw only. If you turn the adjustment screw to the right beyond the adjustment range, the parts will protrude, and the cover won't fit, and if you turn it further, the door will come off.
- 2 Do not remove the depth adjustment screw. The door may fall and cause injury.

Attaching the Screw Cover



SUGATSUNE KOGYO CO., LTD.
Tokyo, JAPAN
Phone: +81 3 3866 2260
E-mail: export@sugatsune.co.jp

SUGATSUNE KOGYO (UK) LIMITED
Reading, UK
Phone: +44 1189 272 955
E-mail: sales@sugatsune.co.uk

SUGATSUNE EUROPE GmbH
Düsseldorf, GERMANY
Phone: +49 211 53812 900
E-mail: sales@sugatsune.eu

SUGATSUNE AMERICA, INC.
California, USA
Phone: +1 310 329 6373
E-mail: sales@sugatsune.com

Chicago, USA
Phone: +1 630 317 7072
E-mail: sales@sugatsune.com

SUGATSUNE CANADA, INC.
Montreal, CANADA
Phone: +1 514 312 5267
E-mail: support@sugatsune.ca

SUGATSUNE SHANGHAI CO., LTD.
Shanghai, CHINA
Phone: +86 21 3632 1858
E-mail: lamp@sugatsune.com.cn

Guangzhou, CHINA
Phone: +86 20 6639 3554
E-mail: lamp@sugatsune.com.cn

SUGATSUNE KOREA CO., LTD.
Incheon, KOREA
Phone: +82 32 220 0603
E-mail: sales@sugatsune-korea.co.kr

SUGATSUNE KOGYO INDIA PRIVATE LIMITED
Mumbai, INDIA
Phone: +91 9867299597
E-mail: sales@sugatsune.in

Delhi, INDIA
Phone: +91 9867299597
+91 11 45093636
E-mail: sales@sugatsune.in