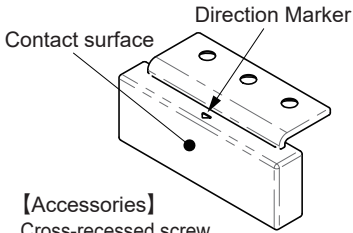


LAMP® DOORSTOP MAGNETIC CATCH Item Name: HT-MSG62 HT-MSG62 for Glass Doors INSTALLATION MANUAL

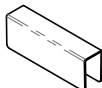

Component Parts



[Accessories]

Cross-recessed screw
M4×12 ... 3 pcs

Required Parts (Sold Separately)

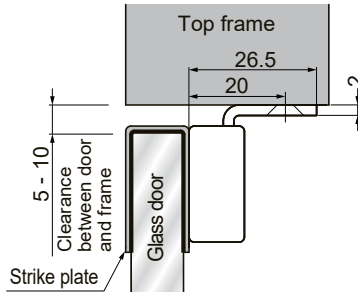
Glass thickness		Strike plate	Packing for strike plate (Chloroprene Rubber)
	A		
8	12.1	HT-MSG62-U8	included in strike plate
10	14.1	HT-MSG62-U10	
12	16.4	HT-MSG62-U12	
12.7			HT-MSG62-P127
13.5			HT-MSG62-P135

Dimensions

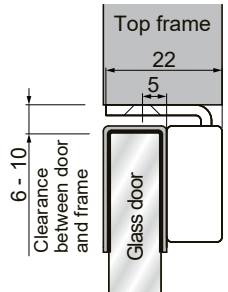
⚠ Caution

❗ The strike plate must be installed on the top of the door. Installation on the bottom or side of the door may cause the strike plate to shift or come off.

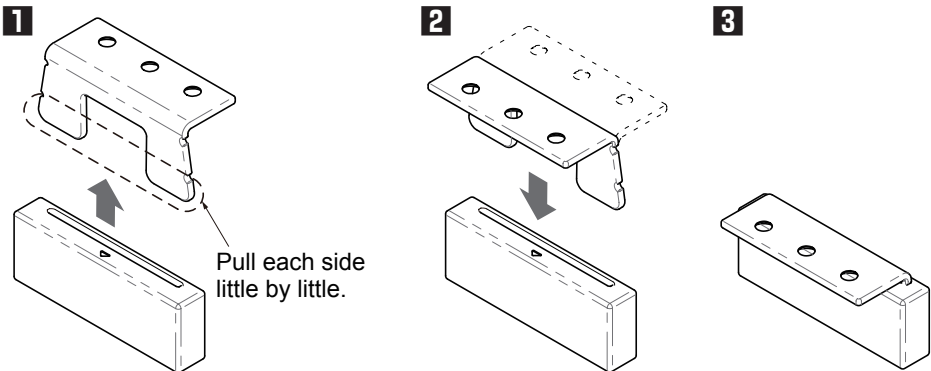
For standard doorframes



For thin doorframes



Re-Assembly when Mounting on Thin Frame



SUGATSUNE KOGYO CO.,LTD
Tokyo, JAPAN

Manufacturer of LAMP brand Products

Phone: +81 (0)3 3866 2260 E-mail: export@sugatsune.co.jp

2021.06 1319-3