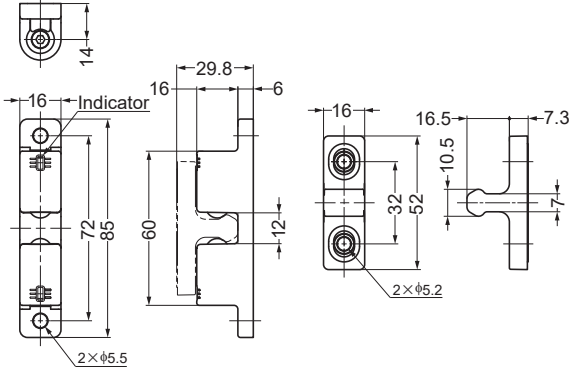


# LAMP® BCTS-85J TENSION CATCH INSTALLATION INSTRUCTIONS

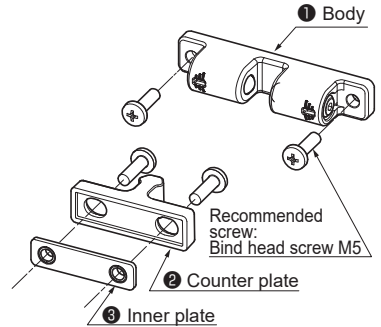
Thank you for selecting our product. Before starting installation, please read this manual thoroughly to ensure correct installation.

## DIMENSIONS



## ASSEMBLY

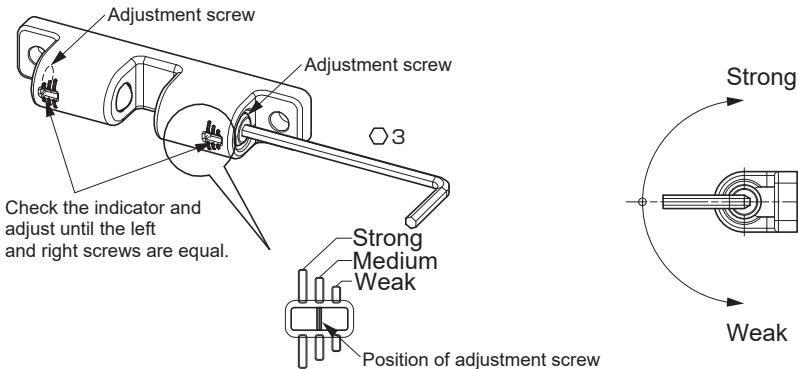
Assemble in order from ① to ③.



## ADJUSTMENT OF CATCH FORCE

### ⚠ Caution

- Default setting of catch force is "Medium" (Pulling force: 38 to 57N, pushing force: 35 to 50N). To increase or decrease, adjust while turning the right and left adjustment screws.
- Make the adjustment level equal on both sides.
- The pushing force and pulling force vary.



SUGATSUNE KOGYO CO., LTD  
Tokyo, JAPAN  
Phone: +81 (0)3 3866 2260 E-mail: export@sugatsune.co.jp

SUGATSUNE KOGYO (UK) LTD  
Reading, UK  
Phone: +44 118 9272 955 E-mail: sales@sugatsune.co.uk

SUGATSUNE EUROPE GmbH  
Düsseldorf, GERMANY  
Phone: +49 211 53612900 E-mail: sales@sugatsune.eu

SUGATSUNE SHANGHAI Co., LTD  
Shanghai, CHINA  
Phone: +86 21 3632 1858 E-mail: lamp@sugatsune.com.cn

Guangzhou, CHINA  
Phone: +86 20 6639 3552 E-mail: lamp@sugatsune.com.cn

SUGATSUNE KOGYO INDIA PRIVATE LIMITED  
Mumbai, INDIA  
Phone: +91 22 28314490/91 E-mail: sales@sugatsune.in

SUGATSUNE AMERICA, INC  
California, USA  
Phone: +1 310 329 6373 E-mail: sales@sugatsune.com

Illinois, USA  
Phone: +1 630 317 7072 E-mail: sales@sugatsune.com

SUGATSUNE CANADA, INC.  
Phone: +1 514 312 5267 E-mail: support@sugatsune.ca