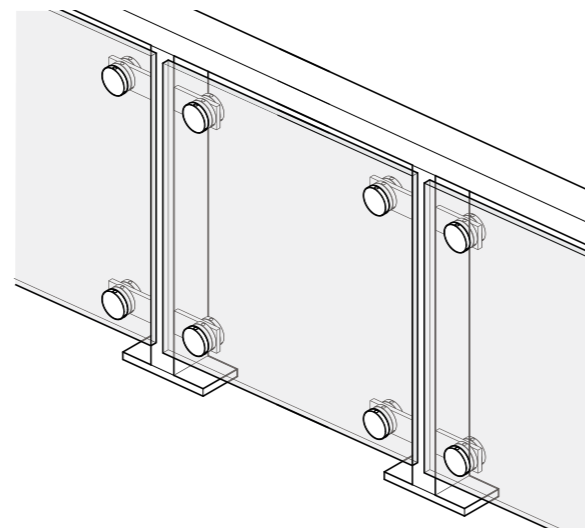


# LAMP® GPA-A1 INSTALLATION INSTRUCTIONS POINT FIX

Thank you for using our product. Before installation, please read this manual thoroughly to ensure correct installation. Please keep this manual at hand for future reference.

## ABOUT THE PRODUCT

- This is a fixture to fix glass to the flat bars on the posts of handrails and build glass fences.
- Adjustable after mounting the glass plates.
- Glass thickness: 8 to 13.5 mm
- Load capacity: 700 N (71 kgf)/4 pcs
- Flat bar thickness: 6 to 10 mm



## FOR YOUR SAFETY AND CORRECT INSTALLATION

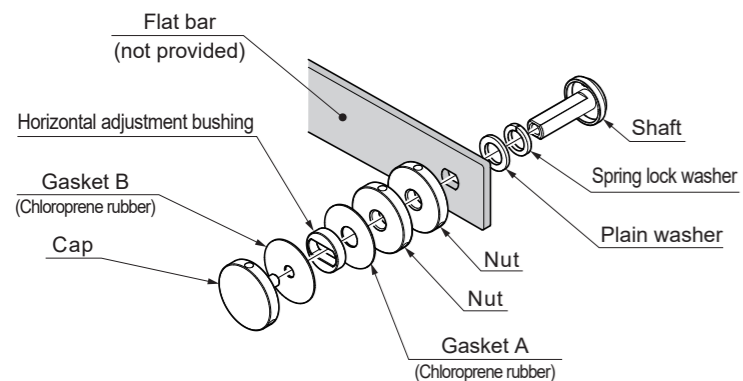
### Meaning of symbols



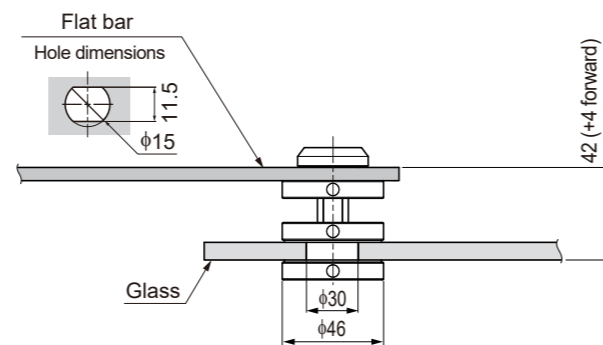
**Caution** : If not followed, injury or damage may result.

Use a tempered glass. Using shatter-proof film is recommended.

## COMPONENT PARTS



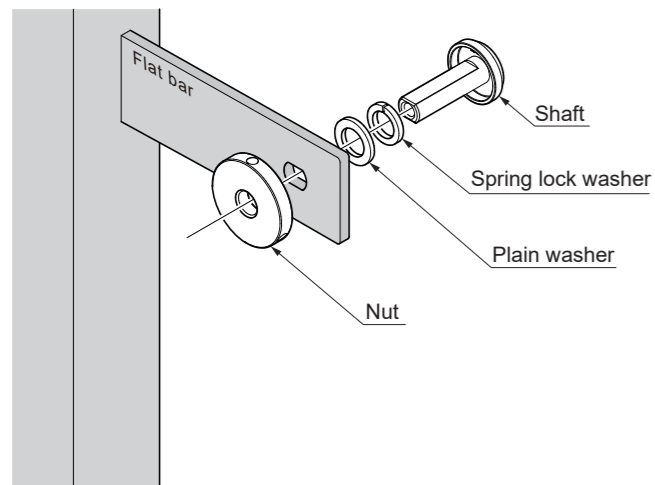
## DIMENSIONS



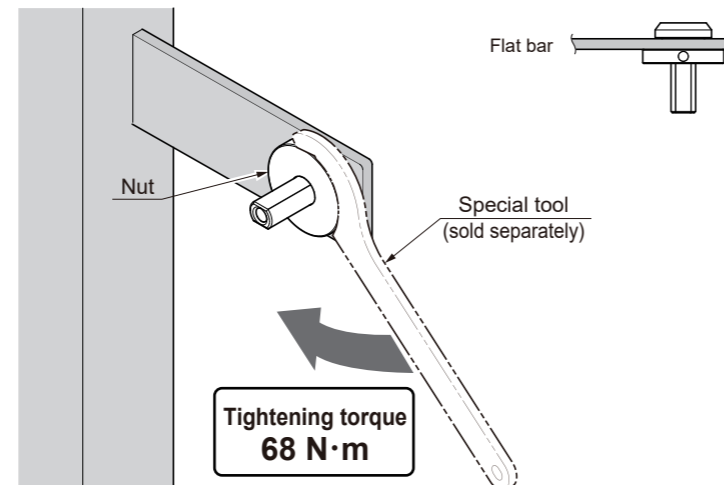
## INSTALLATION PROCEDURE

### 1 Mounting to flat bar

[1]

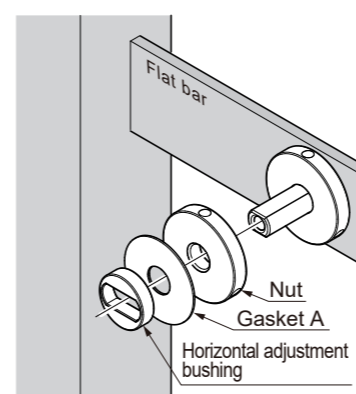


[2] Fasten the nut to fix.

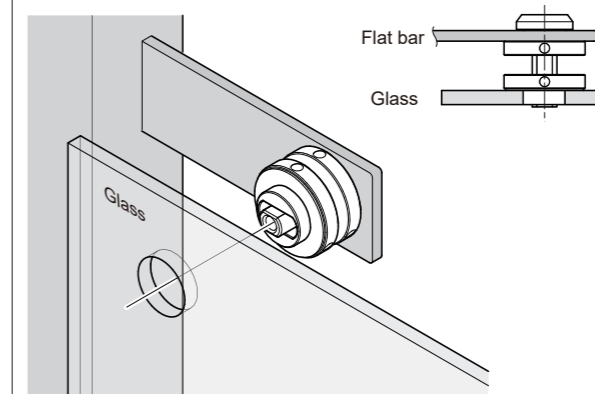


### 2 Mounting of Glass

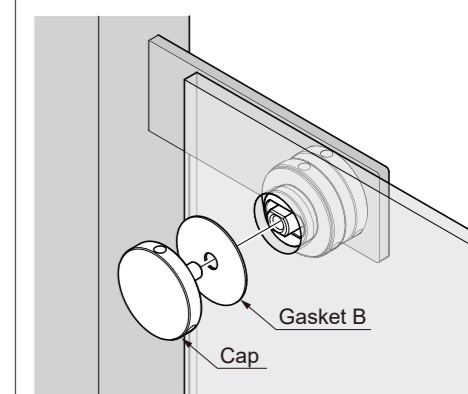
[1]



[2]

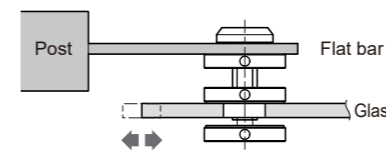


[3]

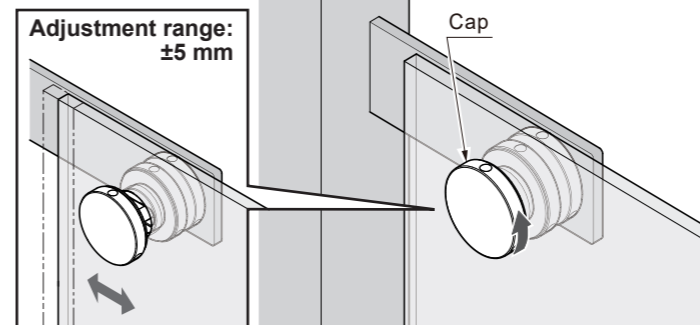


### 3 Adjusting Glass Position

#### Horizontal adjustment

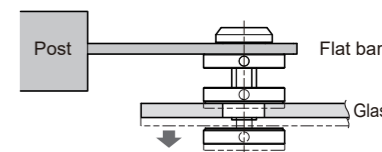


2 Adjust horizontal position

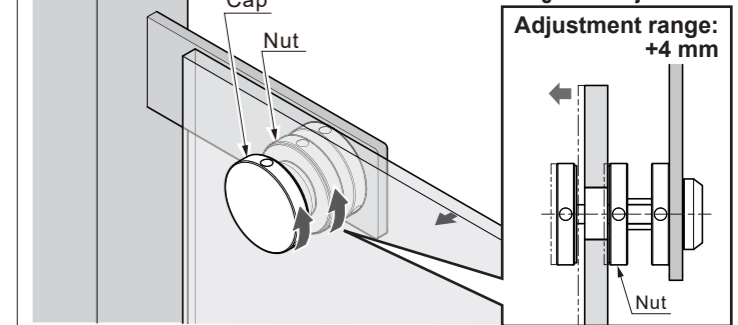


1 Loosen the cap

#### Depth adjustment



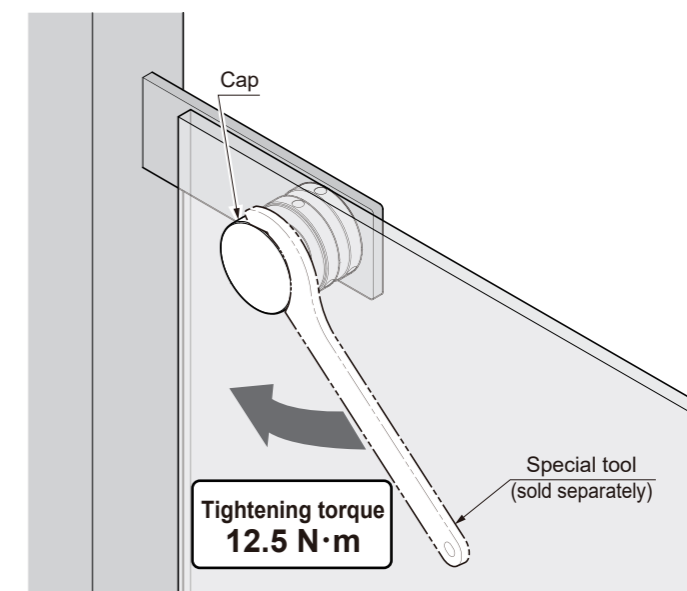
1 Loosen the cap 2 Turn the nut and move it forward with the glass to adjust it.



※ If the glass is heavy and the nut cannot be turned, lift the glass slightly.

### 4 Fixing of Glass

Fasten the cap to fix.



SUGATSUNE KOGYO CO.,LTD  
Tokyo, JAPAN  
Phone: +81 (0)3 3866 2260 E-mail:export@sugatsune.co.jp

SUGATSUNE KOGYO (UK) LTD  
Reading, UK  
Phone: +44 118 9272 955 E-mail:sales@sugatsune.co.uk

SUGATSUNE EUROPE GmbH  
Düsseldorf, GERMANY  
Phone: +49 211 53812900 E-mail:sales@sugatsune.eu

SUGATSUNE SHANGHAI Co., LTD  
Shanghai, CHINA  
Phone: +86 21 3632 1858 E-mail:lamp@sugatsune.com.cn

SUGATSUNE KOGYO (CHINA)  
Guangzhou, CHINA  
Phone: +86 20 6639 3552 E-mail:lamp@sugatsune.com.cn

SUGATSUNE KOGYO INDIA PRIVATE LIMITED  
Mumbai, INDIA  
Phone: +91 22 28314490/91 E-mail:sales@sugatsune.in

SUGATSUNE AMERICA, INC  
California, USA  
Phone: +1 310 329 6373 E-mail:sales@sugatsune.com

Chicago, USA  
Phone: +1 312 461 1081 E-mail:chicagoshowroom@sugatsune.com.

SUGATSUNE CANADA, INC.  
Phone: +1 514 312 5267 E-mail:support@sugatsune.ca