

# LAMP® XL-GC04 Glass Hinge Installation Manual

## XL-GC05 Top Plate Glass Hinge Support Installation Manual

Thank you for purchasing our XL-GC04 Glass Hinge and XL-GC05 Top Plate Glass Hinge Support (here on referred to as “the product”). Read the installation manual (here on referred to as “the manual”) carefully before installation.

After completing installation of the product, hand over the manual to the customer for safe keeping.

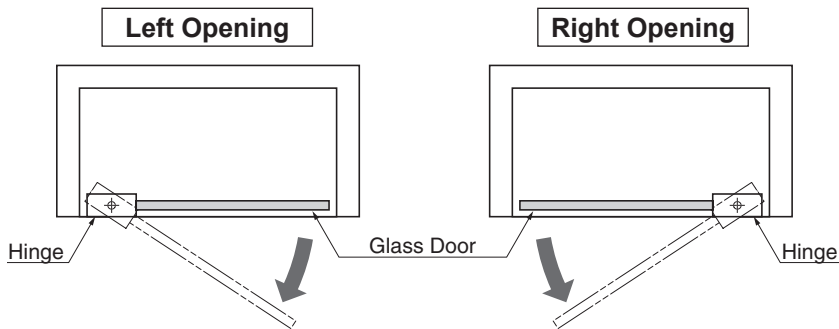
**Caution** Using the products without observing the cautions may result in product failure, accidental injury or installation failure.

## XL-GC04 Glass Hinge Installation Manual

### ■ Checks Prior to Installation

- The product does not have a stopper function. Therefore, please install separate stopper.
- Please use top and bottom panels designed to bear the weight of the glass door.

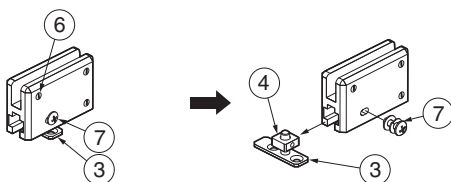
### ■ Left and Right Opening



### ■ Parts Structure

- |   |   |   |   |
|---|---|---|---|
| ① | ...Hinge Body A × 1<br>("A" printed on rear side)<br>(Right opening: At top<br>Left opening: At bottom) | ⑤ | ...Gasket × 2   |
| ② | ...Hinge Body B × 1<br>("B" printed on rear side)<br>(Right opening: At bottom<br>Left opening: At top) | ⑥ | ...Glass Fixing Screw<br>(with tip gasket) × 6  |
| ③ | ...Strike Plate × 2<br>(Including: 4.1 × 20 cross<br>wood screw × 4)                                    | ⑦ | ...Tension Screw<br>(Bind head screw M4 × 10 with<br>spring washer and plain washer)<br>× 2 |
| ④ | ...Strike Plate Nut × 2   | ⑧ | ...Caution Sticker × 2  |

### 1 Preparing to Install Hinges



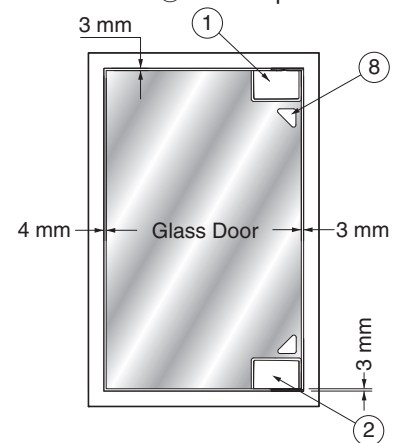
Make sure that the glass fixing screws ⑥ are set in hinge body ① and ②.

Remove the tension screws ⑦ from the temporarily assembled hinge body ① and ②, and then remove the strike plate ③ and strike plate nut ④, as shown above.

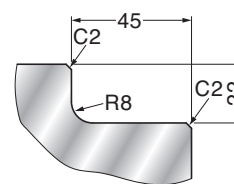
### ■ Wood Frame View (Completed Installation)

Right Opening Shown

- \* The left opening is bilaterally symmetrical to the right opening (below). However, hinge A ① and hinge B ② are reversed with A ① at the bottom and B ② at the top.

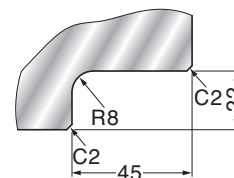


### ■ Glass Door Processing



**Refer to Glass Door Processing on page 7 when using XL-GC05.**

For Top Hinge Body Glass Door Processing

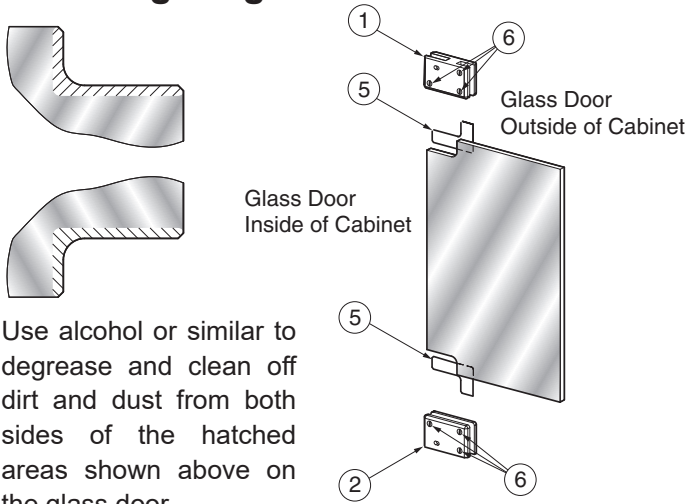


For Bottom Hinge Body Glass Door Processing

### ⚠ Caution

- Applicable glass door size is within W500 mm × H1200 mm and the applicable weight (including accessories such as the handle) is not more than 12 kg.
- Applicable glass thickness is 5, 6 or 8 mm.
- If you have any questions on glass processing, please consult your glazing company.

## 2 Installing Hinges on Glass Door



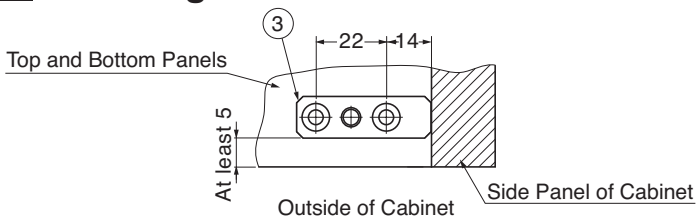
Use alcohol or similar to degrease and clean off dirt and dust from both sides of the hatched areas shown above on the glass door.

- Check to see that cushions (gaskets) are on the tips of glass fixing screws ⑥.
- Be sure to firmly apply gasket ⑤ along the contour of the cutaway glass surface on the outer side of the cabinet.
- Orient the side where the glass fixing screws ⑥ are seen toward the inside of the cabinet and set hinge body ① and ② onto the glass door.  
At this time, align the edge of the hinge body and the glass.
- Tighten the fixing screws.

### ! Caution

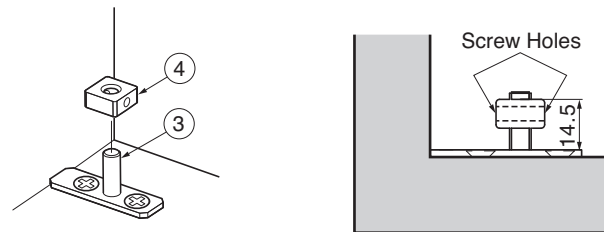
The recommended tightening torque is  $118 \pm 20\text{N}\cdot\text{cm}$  ( $12 \pm 2\text{kgf}\cdot\text{cm}$ ). Note that over tightening may cause the glass to break.

## 3 Installing Strike Plates



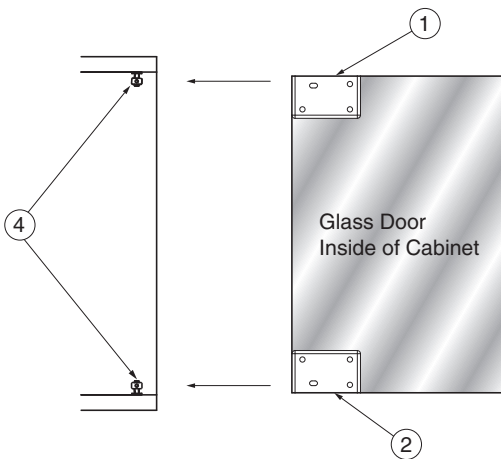
Position strike plates ③ on the top and bottom panels so that they touch the side panel of the cabinet, and secure the strike plates ③ using the included screws or corresponding M4.1 wood screws.  
When using XL-GC05 Top Plate Glass Hinge Support, install the strike plate on the bottom panel only.

## 4 Setting Strike Plate Nuts



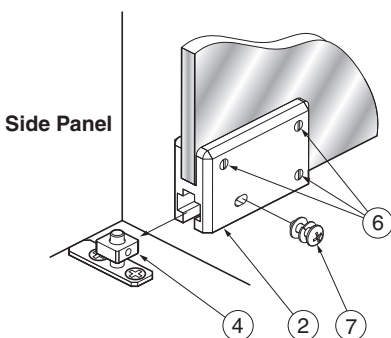
Screw the strike plate nuts ④ (removed in explanation ①) onto the strike plates ③ (installed in explanation ③). Position nuts on the strike plates at 14 mm.  
At this time, the side holes on the strike plate nuts ④ should face left and right.

## 5 Hanging the Door (Refer to page 7 when using XL-GC05 Top Plate Glass Hinge Support)



Fully insert channel of the hinge body ① and ② (installed at top and bottom of glass door) onto strike plate nut ④.  
If the glass door does not fit in or if it does not fit well on the cabinet, pull out the glass door, and turn the strike plate nuts to adjust height. Strike plate nut ④ has screw holes. Align hinge body screw hole for the tension screw ⑦ to strike plate nut screw hole. Set door by tightening the tension screw ⑦. To adjust door position, open door and loosen the tension screw ⑦. (With the door closed, there should be 2 mm of adjustment space available on the left and right sides.)

Finally, apply the caution sticker ⑧ onto the glass door, as shown in the Wood Frame View on the front page.



## 6 Maintenance

If the glass door has become misaligned on the hinge body ① and ②, loosen fixing screws ⑥, restore the glass door to the correct set position and retighten the fixing screws ⑥ to the recommended tightening torque (see the caution in explanation ② for recommended torque details).  
If the glass door is misaligned (hanging down), adjust the position of the door and then further tighten the tension screws ⑦.

# XL-GC05 Top Plate Glass Hinge Support Installation Manual

## Parts Structure



⑨ ...Top Plate Glass Hinge Support Unit × 1  
The diagram here is for a right opening.  
The left opening requires an axis position  
that is bilaterally symmetrical.

⑩



...Gasket × 2

⑪

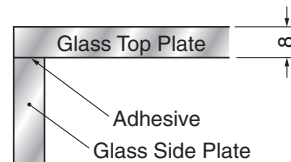
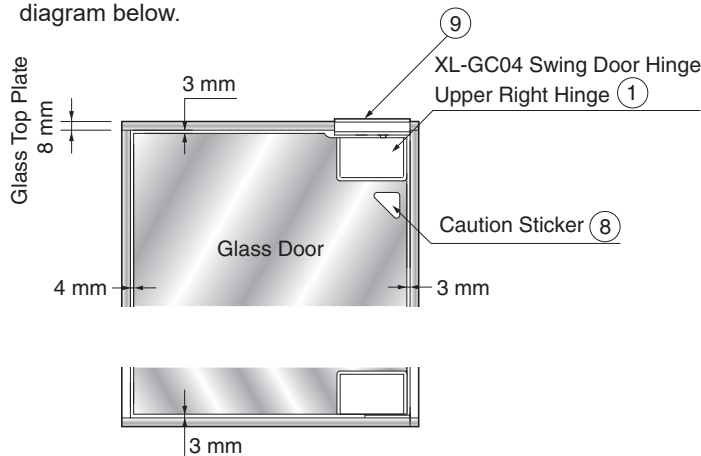


...Fixing Screw × 2

## Glass Frame (Completed Installation)

Right Opening Shown (XL-GC05-R-CR Usage)

\* The left opening is bilaterally symmetrical to that of the diagram below.

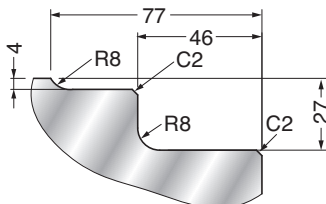


This diagram shows the case of a right-hinged door. Please consult your glazing company for details about fixing the glass side panels and glass rear panel.

### Caution

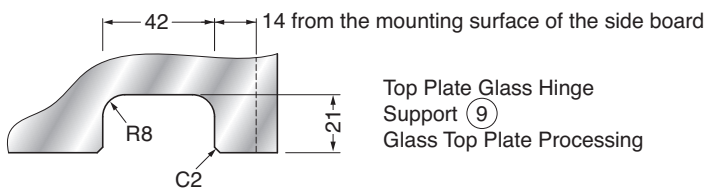
- Thickness of glass top plate must be 8 mm.
- The glass side plate and the glass top plate must be bonded together securely. UV adhesive is recommended.

## Glass Processing



For using Top Plate Glass Hinge Support (9)  
Hinge Body Glass Door Processing

For bottom hinge body glass door processing, please refer to the drawing on page 5.

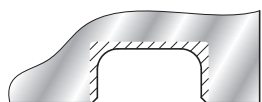


Top Plate Glass Hinge Support (9)  
Glass Top Plate Processing

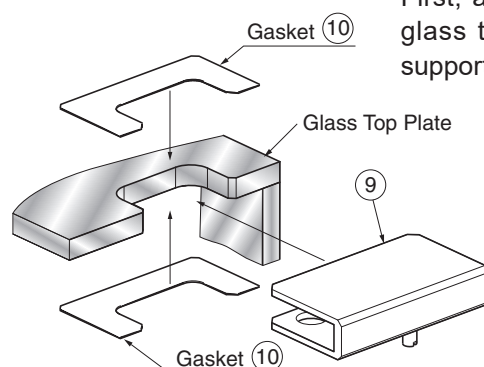
### Caution

- Applicable glass door size is within W500 mm × H1200 mm and the applicable weight (including accessories such as the handle) is not more than 12 kg.
- Thickness of top plate glass must be 8 mm.
- If you have any questions on glass processing, please consult your glazing company.

## Installing the Top Plate Glass Hinge Support Body

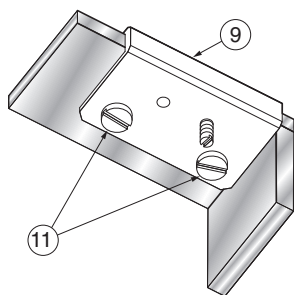


Use alcohol or similar to degrease and clean off dirt and dust from both sides of the hatched areas shown above on the glass door.



First, apply gaskets (10) to both top and bottom sides of glass top plate, and then insert top plate glass hinge support body (9).

## 8 Setting the Top Plate Glass Hinge Support

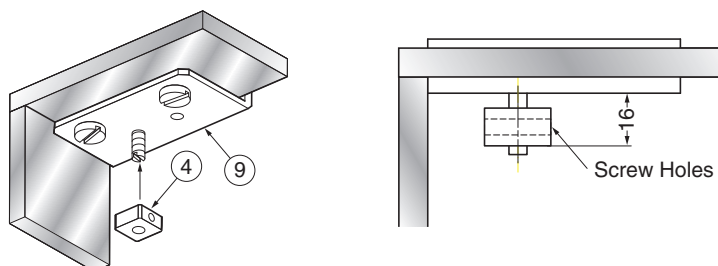


Set fixing screws ⑪ into top plate glass hinge support ⑨, and tighten them using a flat head screwdriver.

### ⚠ Caution

The recommended tightening torque is  $118 \pm 20\text{N}\cdot\text{cm}$  ( $12 \pm 2\text{kgf}\cdot\text{cm}$ ). Note that over tightening may cause the glass to break.

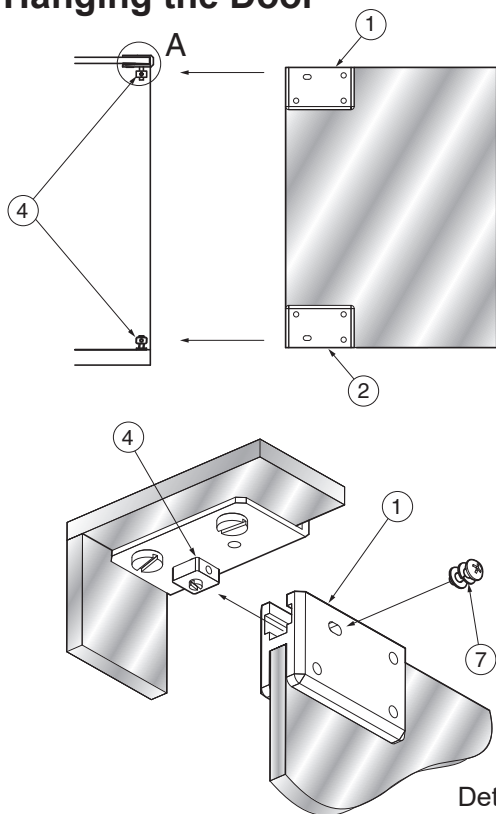
## 9 Installing Strike Plate Nut (Top)



Screw the strike plate nuts ④ (removed in explanation 1) onto the screw shafts of the top plate glass hinge support body (installed in explanation 8). Position nuts on the strike plates at 16 mm.

At this time, the side holes on the strike plate nuts ④ should face left and right.

## 10 Hanging the Door



Fully insert channel of the hinge body ① and ② (installed at top and bottom of glass door) onto strike plate nut ④. If the glass door does not fit in or if it does not fit well on the cabinet, pull out the glass door, and turn the strike plate nuts to adjust height. Strike plate nut ④ has screw holes. Align hinge body screw hole for the tension screw ⑦ to strike plate nut screw hole. Set door by tightening the tension screw ⑦. To adjust door position, open door and loosen the tension screw ⑦. (With the door closed, there should be 2 mm of adjustment space available on the left and right sides.)

Finally, apply the caution sticker ⑧ (packed with XL-GC04 Swing Door Hinge) onto the glass door, as shown in the "Glass Frame" diagram on page 3.

## 11 Maintenance

If the top plate glass hinge support ⑨ has become misaligned from the top plate glass, loosen fixing screws ⑪, restore the top plate glass hinge support to the correct set position and retighten the fixing screws to the recommended tightening torque (see the caution in explanation 8 for recommended torque details). If the glass door is misaligned (hanging down), adjust the position of the door and then further tighten the tension screws ⑦.

**SUGATSUNE KOGYO CO.,LTD**  
Tokyo, JAPAN  
Phone: +81 (0)3 3866 2260 E-mail:export@sugatsune.co.jp

**SUGATSUNE KOGYO (UK) LTD**  
Reading, UK  
Phone: +44 118 9272 955 E-mail:sales@sugatsune.co.uk

**SUGATSUNE EUROPE GmbH**  
Düsseldorf, GERMANY  
Phone: +49 211 53812900 E-mail:sales@sugatsune.eu  
ISO9001(Japan Offices and Sugatsune America) and ISO14001(Chiba Production division and Logistics center), certified.

**SUGATSUNE SHANGHAI Co., LTD**  
Shanghai, CHINA  
Phone: +86 21 3632 1858 E-mail:lamp@sugatsune.com.cn

**Guangzhou, CHINA**  
Phone: +86 20 6639 3552 E-mail:lamp@sugatsune.com.cn

**SUGATSUNE KOGYO INDIA PRIVATE LIMITED**  
Mumbai, INDIA  
Phone: +91 22 28314490/91 E-mail:sales@sugatsune.in

**SUGATSUNE AMERICA, INC**  
California, USA  
Phone: +1 310 329 6373 E-mail:sales@sugatsune.com

**Chicago, USA**  
Phone: +1 312 461 1081 E-mail:chicagoshowroom@sugatsune.com.

**SUGATSUNE CANADA, INC.**  
Phone: +1 514 312 5267 E-mail:support@sugatsune.ca