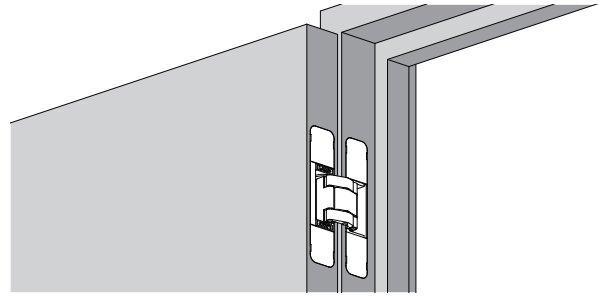


LAMP®**HES**
Hinge - Expert**INSTALLATION MANUAL****FOR HES3D-H120-36 CONCEALED HINGE**

Thank you for using our product. Before installation, please read this manual thoroughly to ensure correct installation. Please keep this manual at hand for future reference.

**ABOUT THE PRODUCT**

- This product is a concealed hinge for indoor use.
- Allows vertical, horizontal and depth adjustment.

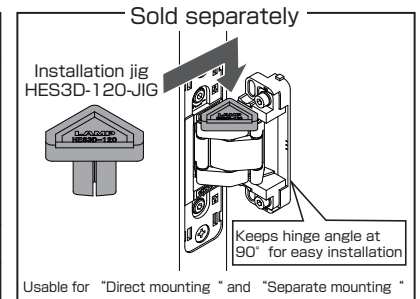
DOOR SPECIFICATION

Min. Door thickness	34 mm
Max. Door weight	50kg per 2 hinges, 65kg per 3 hinges
Max. Door size	Width: 900 mm, Height: 2700 mm

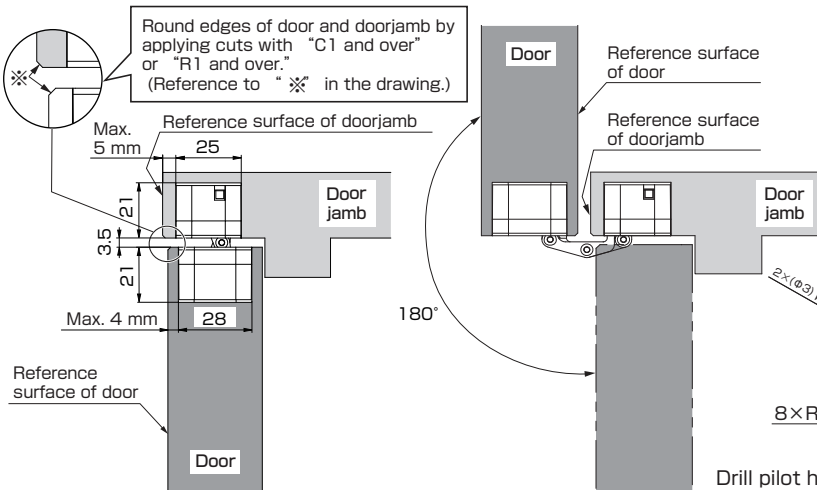
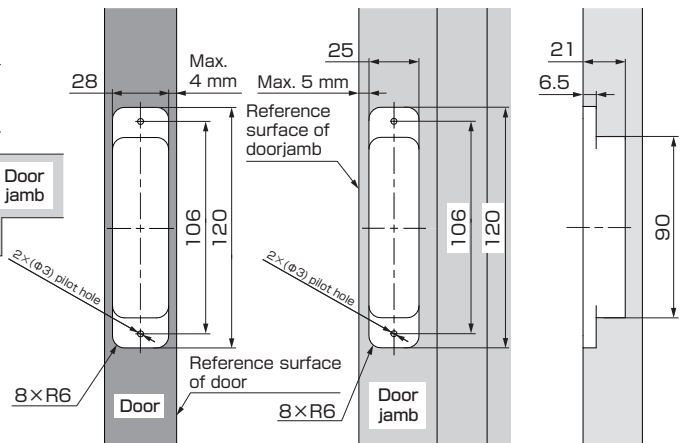
The required quantity of hinges depends on the stiffness and curvature of the door. Install the door and check to determine the appropriate amount of hinges.

COMPONENT PARTS (PER BOX)

Parts		Concealed hinge	Screw cover	Template	Countersunk head tapping screw 5x20	Hex Key 3 mm
Q'ty	2 hinges	2 pcs	4 pcs (2 types × 2pcs) × 2 bags	1 pc	4 pcs × 2 bags	1 pc
	3 hinges	3 pcs	4 pcs (2 types × 2pcs) × 3 bags	1 pc	4 pcs × 3 bags	1 pc

**FOR YOUR SAFETY WORK AND CORRECT INSTALLATION****Meaning of symbols****⚠ Caution: If not followed, injury or damage may result.**

- ⚠ Provide a doorjamb that can withstand the weight and impact of opening and closing the door. Be sure to use the specified screws and tighten them securely. If the mounting strength is insufficient, the door may fall and cause injury.
- ⊘ Do not use this product for any other purpose, or with doors that are outside the specifications of this manual.
- ⊘ Use in conjunction with a door closer is not recommended. For soft-close option, we recommend Sugatsune LDD-V, LDD-V100 or LDD-S door damper.
- ⚠ Follow the specified dimensions, specifications, and alignment of the door and doorjamb. Warping, tilting or twisting of the door or doorjamb may cause failure.
- ⚠ This product is a part for architectural fittings. After installation, please check the function and safety of the final product. Please inform the end user how to use the product safely.
- ⚠ Make sure to check the screws for slack at regular intervals (one month from first usage, half a year, and then one time every year is recommended).

INSTALLATION DRAWING (EXAMPLE)**CUT OUT DRAWING FOR DOOR AND DOORJAMB**

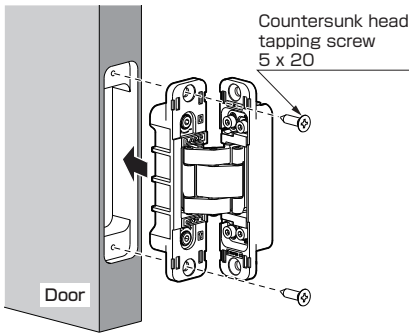
Drill pilot holes at the installation screw locations. Diameter and depth of the pilot hole depends on the strength of the wood.

INSTALLATION PROCEDURE

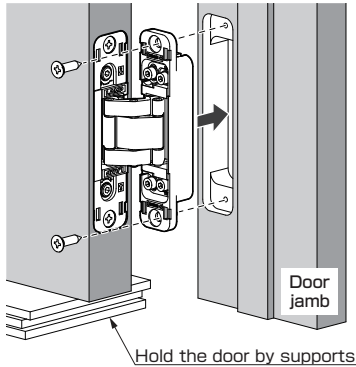
Use either method below. (direct mounting or separate mounting)

Direct mounting (speedy)

1 Installing Hinge to Door



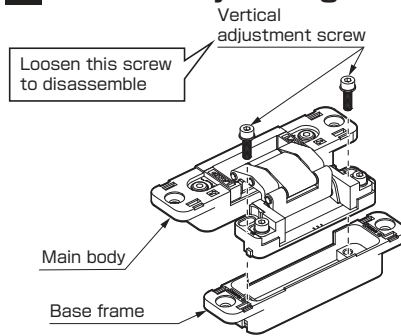
2 Hanging Door



Hanging completed

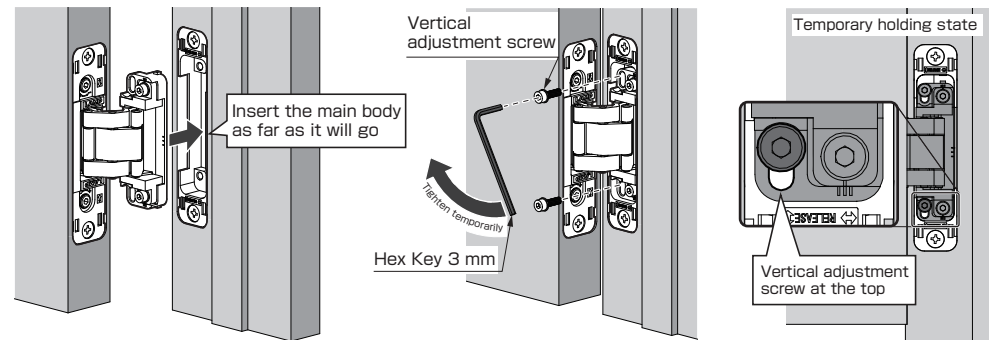
Separate mounting (Door hanging and fastening are easier.)

1 Disassembly of Hinge

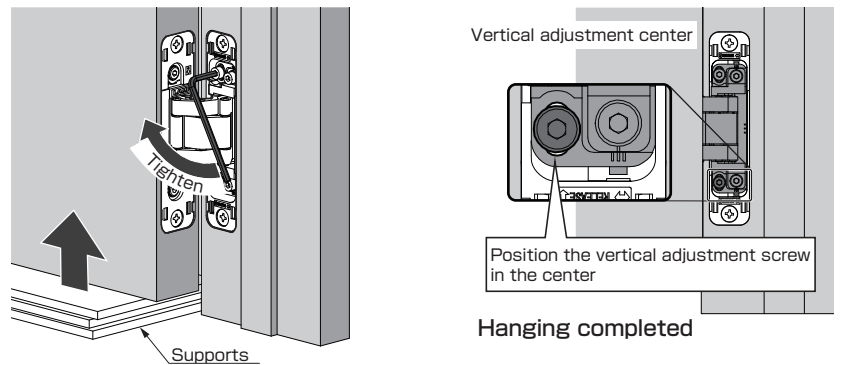


3 Hanging Door

1 Hang the hinges on the base frame and temporarily tighten the vertical adjustment screws.



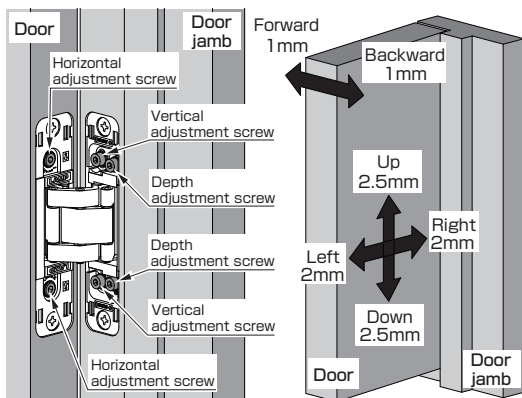
2 Raise the door to the vertical adjustment center using supports and tighten the vertical adjustment screw.



VIDEO LINK



ADJUSTING DOOR POSITION



Horizontal adjustment

Turn the two screws to move the door to the left or right. (Turn the screws clockwise to move the door to the left.)

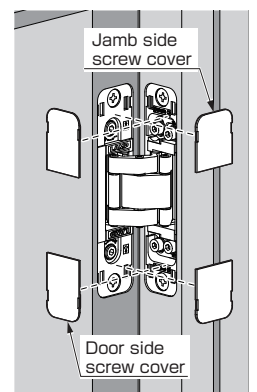
- ❗ Turn both screws little by little, same amount. The hinge may be broken if you keep turning one screw only.
- ⚠ Horizontal adjustment range is ± 2 mm. When turning the screw to the right, if you move the part more than 2 mm, the cover cannot be put on, since the part protrudes. If you still turn the screw, the door will be dropped.

Vertical, depth adjustment

Loosen the screws 180° - 360° , then hold the door at the suitable position and re-tighten the screws. Use supports to hold the door. (Tightening torque is 3.5 N·m.)

- ⊘ Do not over loosen or remove the vertical / depth adjustment screws. It may result injury by fall of the door.

INSTALLING COVER



SUGATSUNE KOGYO CO., LTD.
Tokyo, JAPAN
Phone: +81 3 3866 2260
E-mail: export@sugatsune.co.jp

SUGATSUNE KOGYO (UK) LIMITED
Reading, UK
Phone: +44 1189 272 955
E-mail: sales@sugatsune.co.uk

SUGATSUNE EUROPE GmbH
Düsseldorf, GERMANY
Phone: +49 211 53812 900
E-mail: sales@sugatsune.eu

SUGATSUNE AMERICA, INC.
California, USA
Phone: +1 310 329 6373
E-mail: sales@sugatsune.com

Chicago, USA
Phone: +1 630 317 7072
E-mail: sales@sugatsune.com

SUGATSUNE CANADA, INC.
Montreal, CANADA
Phone: +1 514 312 5267
E-mail: support@sugatsune.ca

SUGATSUNE SHANGHAI CO., LTD.
Shanghai, CHINA
Phone: +86 21 3632 1858
E-mail: lamp@sugatsune.com.cn

Guangzhou, CHINA
Phone: +86 20 6639 3554
E-mail: lamp@sugatsune.com.cn

SUGATSUNE KOREA CO., LTD.
Incheon, KOREA
Phone: +82 32 220 0603
E-mail: sales@sugatsune-korea.co.kr

SUGATSUNE KOGYO INDIA PRIVATE LIMITED
Mumbai, INDIA
Phone: +91 9867299597
E-mail: sales@sugatsune.in
Delhi, INDIA
Phone: +91 9867299597
+91 11 45093636
E-mail: sales@sugatsune.in