

# LAMP. Stainless Steel Bracket for Handrail HRB-AG for Glass Mounting **INSTALLATION MANUAL**

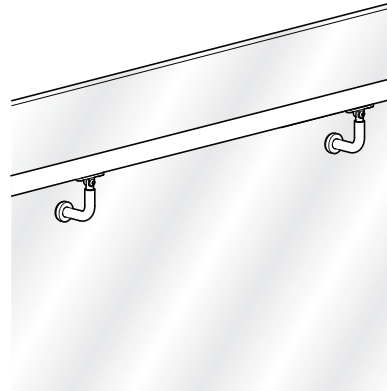
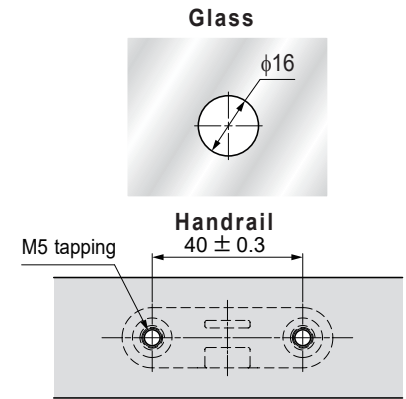
## ABOUT THE PRODUCT

- Bracket for mounting pipe handrails to glass fences.
- The angle of the pipe holder can be changed so that the pipe can be mounted vertically even on stairs or slopes.

## SPECIFICATION

Glass thickness	8 ~ 26 mm
Pipe diameter	φ32、φ34、φ38 mm ※ Written on pipe holder
Vertical adjustment range	± 5 mm
Mounting interval	Max. 900 mm
Load capacity (bracket itself)	1200 N(122 kgf) / 900 mm

## DIMENSIONS



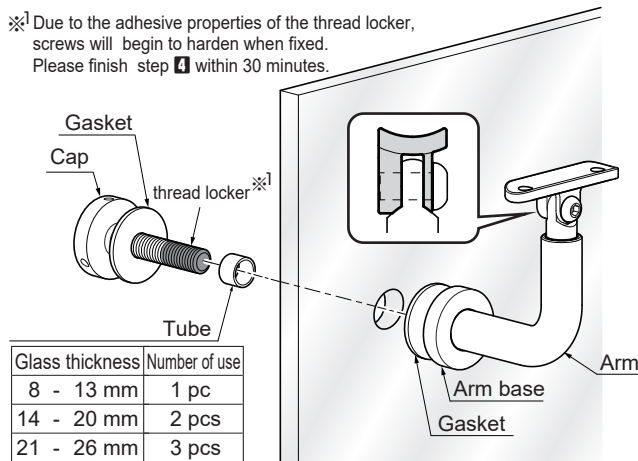
## INSTALLATION PROCEDURE

### ⚠ Caution

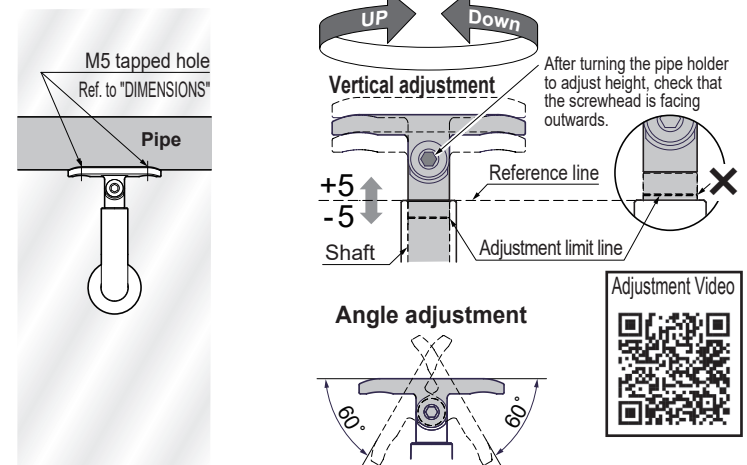
- ❗ Use tempered glass or tempered laminated glass for the glass.
- ❗ This product should be installed by a qualified person in accordance with this manual.
- ❗ Use glass and glass support materials that are strong enough.
- ❗ Make sure to check the screws for slack at regular intervals.

### 1 Mounting onto Glass

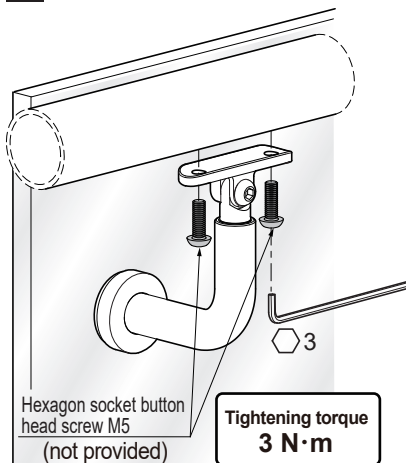
※<sup>1</sup> Due to the adhesive properties of the thread locker, screws will begin to harden when fixed. Please finish step 1 within 30 minutes.



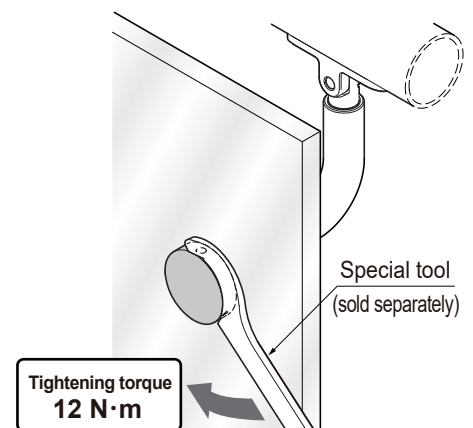
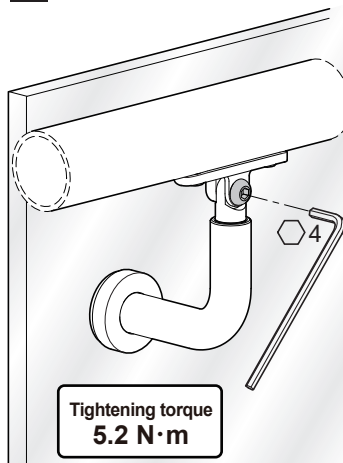
### 2 Adjustment of Pipe Holder



### 3 Fastening of Handrail



### 4 Securing the Screws



SUGATSUNE KOGYO CO.,LTD  
Tokyo, JAPAN  
Phone: +81 (0)3 3866 2260 E-mail:export@sugatsune.co.jp

SUGATSUNE KOGYO (UK) LTD  
Reading, UK  
Phone: +44 118 9272 955 E-mail:sales@sugatsune.co.uk

SUGATSUNE EUROPE GmbH  
Düsseldorf, GERMANY  
Phone: +49 211 53812900 E-mail:sales@sugatsune.eu  
ISO9001(Japan Offices and Sugatsune America) and ISO14001(Chiba Production division and Logistics center), certified.

SUGATSUNE SHANGHAI Co., LTD  
Shanghai, CHINA  
Phone: +86 21 3632 1858 E-mail:lamp@sugatsune.com.cn

Guangzhou, CHINA  
Phone: +86 20 6639 3552 E-mail:lamp@sugatsune.com.cn

SUGATSUNE KOGYO INDIA PRIVATE LIMITED  
Mumbai, INDIA  
Phone: +91 22 28314490/91 E-mail:sales@sugatsune.in

SUGATSUNE AMERICA, INC  
California, USA  
Phone: +1 310 329 6373 E-mail:sales@sugatsune.com

Chicago, USA  
Phone: +1 630 317 7072 E-mail:sales@sugatsune.com

SUGATSUNE CANADA, INC.  
Phone: +1 514 312 5267 E-mail:support@sugatsune.ca