

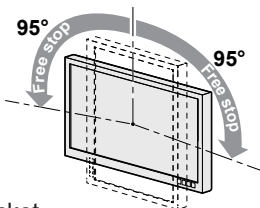
LAMP[®] ROTATION BRACKET KA-T100S50-PMT Installation Manual



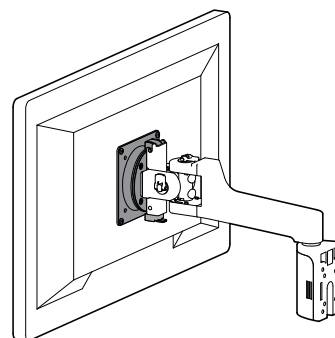
Thank you for selecting our product. Before starting installation, please read this manual thoroughly to ensure correct installation. Please keep this manual at hand for future reference.

ABOUT THE PRODUCT

- Allows monitors to rotate and hold in position.



- Replace the original mounting plate with this bracket.
- One-touch installation and removal.



COMPONENT PARTS



ITEMS TO BE PREPARED
Pan head screws
M4 × 8 : 4 pcs

APPLICABLE MONITOR

Max. Weight	8 kg (12 - 23 inches)
Hole pattern	75 × 75 mm, 100 × 100 mm (VESA)

Caution

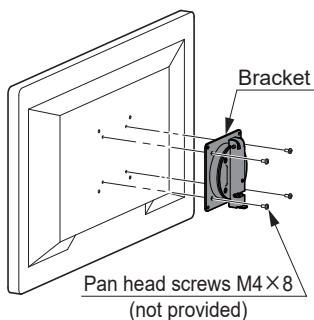
- ⚠ Make sure the monitor's centre of gravity is not too far from the rotational centre.

APPLICABLE PRODUCT

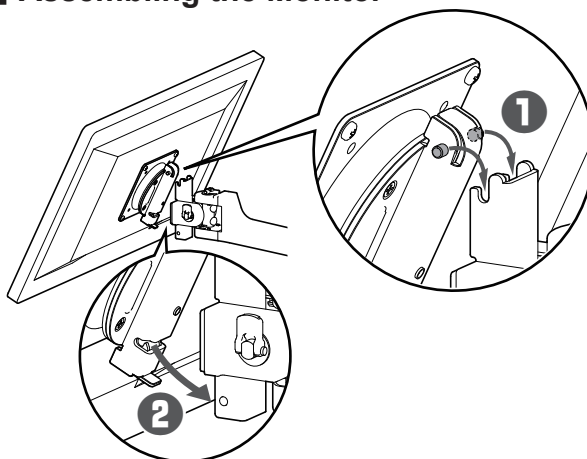
Monitor Mount KA-T100S50
Monitor Arm KA-T100S50-W/P

INSTALLATION PROCEDURE

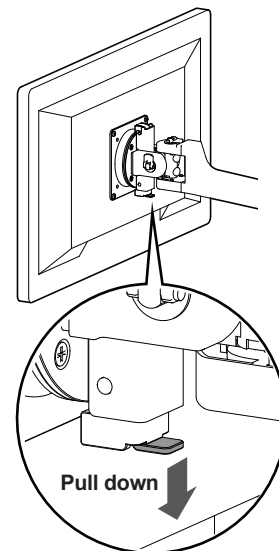
1 Installation



2 Assembling the Monitor

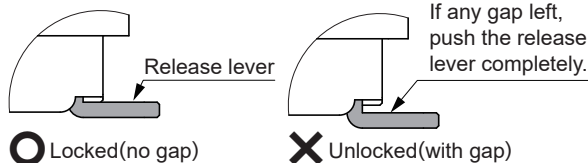


3 How to Remove



Caution

- ⚠ Make sure that the release lever is at the locked position. If not, the mounting plate may be disconnected when the monitor is moved.



SUGATSUNE KOGYO CO.,LTD
Tokyo, JAPAN
Phone: +81 (0)3 3866 2260 E-mail: export@sugatsune.co.jp

SUGATSUNE KOGYO (UK) LTD
Reading, UK
Phone: +44 118 9272 955 E-mail: sales@sugatsune.co.uk

SUGATSUNE EUROPE GmbH
Düsseldorf, GERMANY
Phone: +49 211 53812900 E-mail: sales@sugatsune.eu

ISO9001 (Japan Offices and Sugatsune America) and ISO14001 (Chiba Production division and Logistics center), certified.

SUGATSUNE SHANGHAI Co., LTD
Shanghai, CHINA
Phone: +86 21 3632 1858 E-mail: lamp@sugatsune.com.cn

Guangzhou, CHINA
Phone: +86 20 6639 3552 E-mail: lamp@sugatsune.com.cn

SUGATSUNE KOGYO INDIA PRIVATE LIMITED
Mumbai, INDIA
Phone: +91 22 28314490/91 E-mail: sales@sugatsune.in

SUGATSUNE AMERICA, INC
California, USA
Phone: +1 310 329 6373 E-mail: sales@sugatsune.com

Chicago, USA
Phone: +1 312 461 1081 E-mail: chicagoshowroom@sugatsune.com.

SUGATSUNE CANADA, INC.
Phone: +1 514 312 5267 E-mail: support@sugatsune.ca