

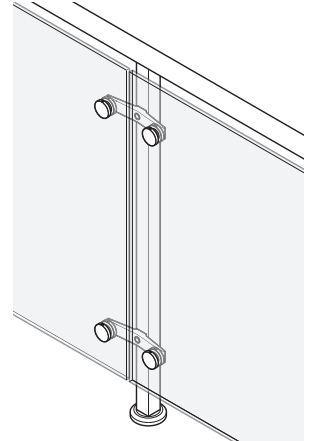
LAMP® GPAS POINT FIX ARM-TYPE INSTRUCTIONS

- ① Front-mounting, double : GPAS-F2 type
- ② Front-mounting, single : GPAS-F1 type
- ③ Side-mounting, single : GPAS-S1 type

Thank you for selecting our product. Before starting installation, please read this manual thoroughly to ensure correct installation. Please keep this manual at hand for future reference.

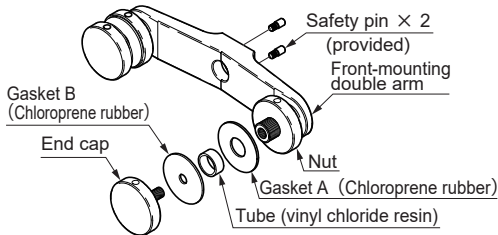
ABOUT THE PRODUCT

- This is a fixture to fix panels (resin or glass) to the posts of handrails and produce glass fences.
- There are three types of mounting options. Front-mounting single/double arm and side-mounting single arm.
- If the panel thickness is 8 mm, adjustable after mounting the plates.
- Panel thickness: 5 to 8 mm ※ 8 mm recommended for glass.
- Load capacity: 160 N (16 kgf) ※ For heavy panels with 4 point supports.

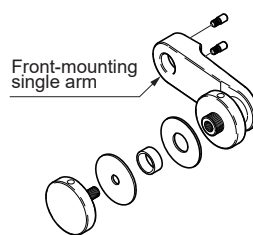


COMPONENT PARTS

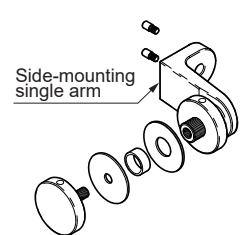
GPAS-F2 type (front-mounting, double)



GPAS-F1 type (front-mounting, single)



GPAS-S1 type (side-mounting, single)



FOR YOUR SAFE WORK AND CORRECT INSTALLATION

Meaning of symbols

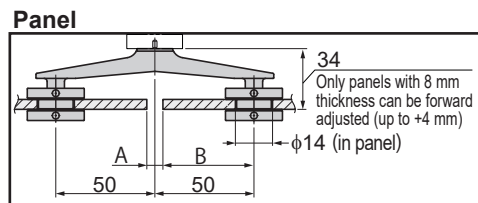
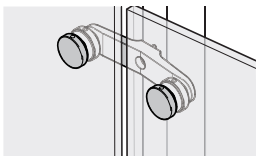


Caution : If not followed, injury or damage may result.

- ❗ Use a tempered glass. Using shatter-proof film is recommended.
- ❗ Make sure to check the screws for slack at regular intervals.

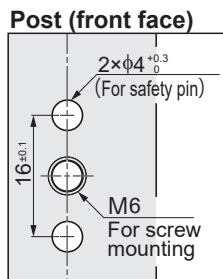
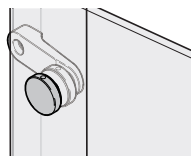
DIMENSIONS

GPAS-F2 type (front-mounting, double)

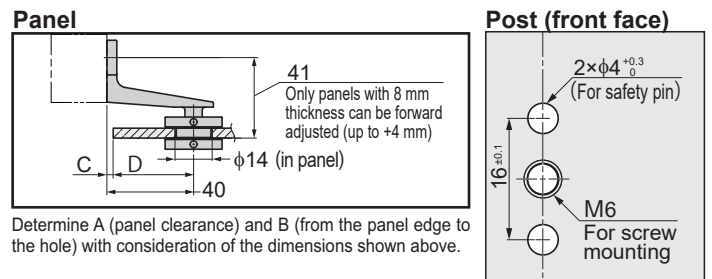
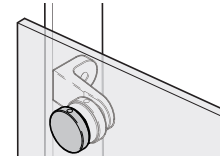


Determine A (panel clearance) and B (from the panel edge to the hole) with consideration of the dimensions shown above.

GPAS-F1 type (front-mounting, single)



GPAS-S1 type (side-mounting, single)

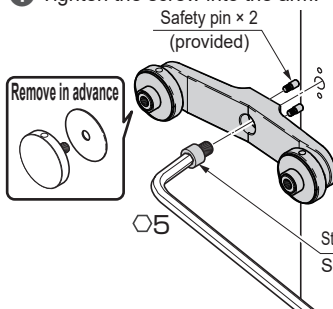


Determine A (panel clearance) and B (from the panel edge to the hole) with consideration of the dimensions shown above.

INSTALLATION PROCEDURE

1 Mounting on the post

- ① Tighten the screw into the arm.

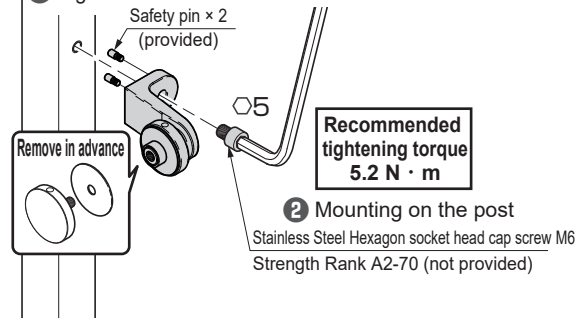


Recommended tightening torque
5.2 N · m

- ② Mounting on the post
Stainless Steel Hexagon socket head cap screw M6
Strength Rank A2-70 (not provided)

1 Mounting on the post

- ① Tighten the screw into the arm.

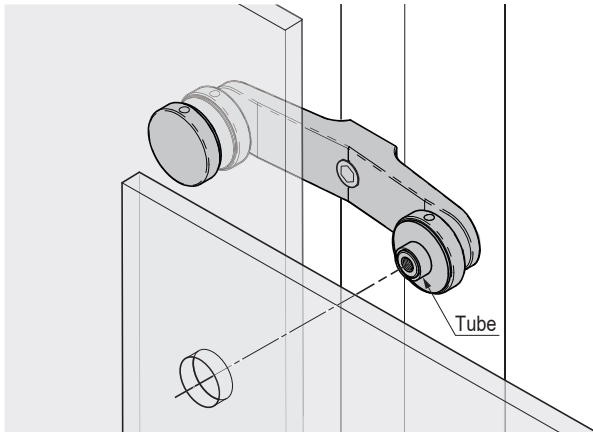


Recommended tightening torque
5.2 N · m

- ② Mounting on the post
Stainless Steel Hexagon socket head cap screw M6
Strength Rank A2-70 (not provided)

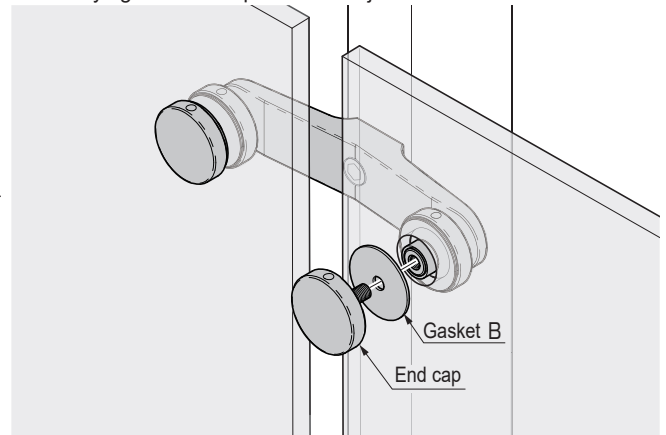
2 Mounting of Panel

(1)

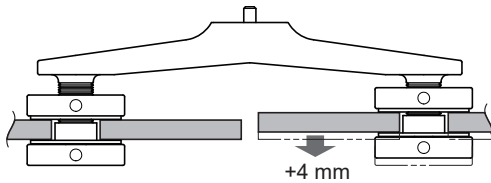


(2) Temporary fixing (4 points)

Do not fully tighten end caps until all adjustments have been made.

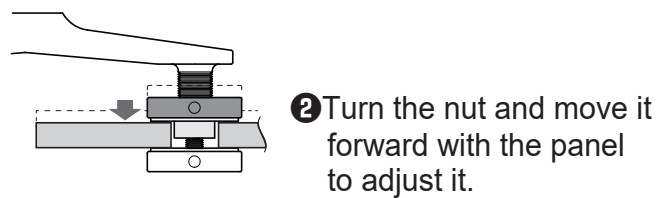
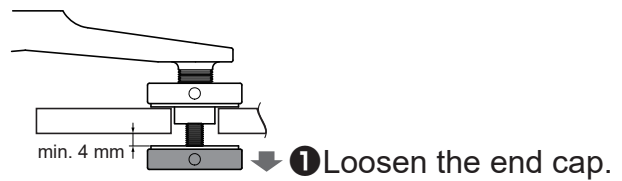
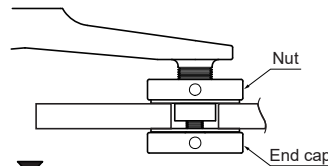
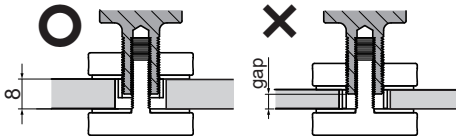


3 Adjusting Glass Position ※ Only 8 mm thick panels can be adjusted.



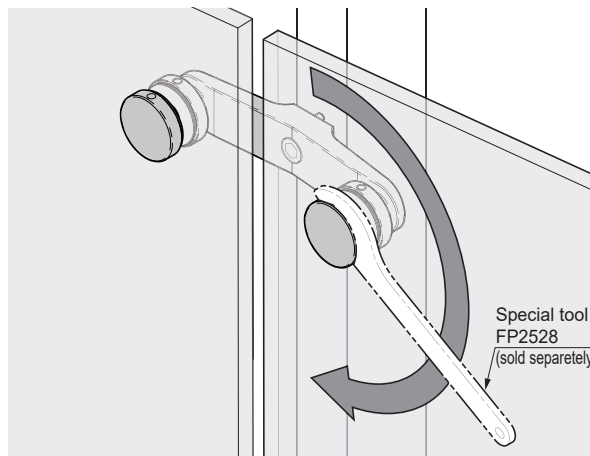
⚠ Caution

⊘ Do not adjust glass panels that are less than 8 mm. Thinner glass panels may slip into the gap and result in damage or injury.



4 Fixing of Glass

Fasten the cap to fix.



**Recommended
tightening torque
3 N·m**

SUGATSUNE KOGYO CO.,LTD
Tokyo, JAPAN
Phone: +81 (0)3 3866 2260 E-mail:export@sugatsune.co.jp

SUGATSUNE KOGYO (UK) LTD
Reading, UK
Phone: +44 118 9272 955 E-mail:sales@sugatsune.co.uk

SUGATSUNE EUROPE GmbH
Düsseldorf, GERMANY
Phone: +49 211 53812900 E-mail:sales@sugatsune.eu

SUGATSUNE SHANGHAI Co., LTD
Shanghai, CHINA
Phone: +86 21 3632 1858 E-mail:lamp@sugatsune.com.cn

Guangzhou, CHINA
Phone: +86 20 6639 3552 E-mail:lamp@sugatsune.com.cn

SUGATSUNE KOGYO INDIA PRIVATE LIMITED
Mumbai, INDIA
Phone: +91 22 28314490/91 E-mail:sales@sugatsune.in

SUGATSUNE AMERICA, INC
California, USA
Phone: +1 310 329 6373 E-mail:sales@sugatsune.com

Illinois, USA
Phone: +1 630 317 7072 E-mail:sales@sugatsune.com

SUGATSUNE CANADA, INC.
Phone: +1 514 312 5267 E-mail:support@sugatsune.ca