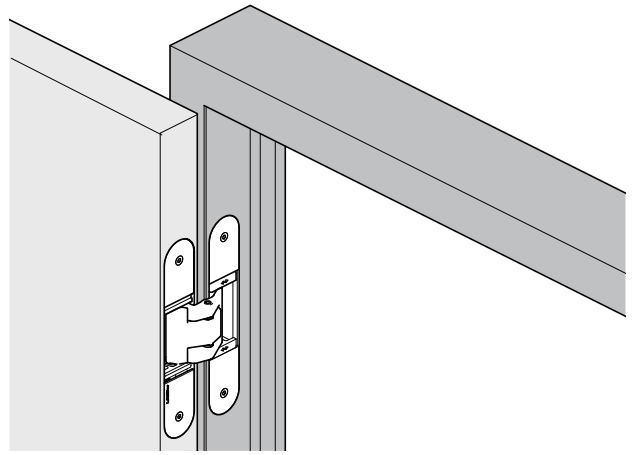


INSTALLATION MANUAL **LAMP**[®]

HGS3D-S160SH CONCEALED HINGE

With 3-way Adjustable Function



Thank you for using our product. Before installation, please read this manual thoroughly to ensure correct installation. Please keep this manual at hand for future reference.

ABOUT THE PRODUCT

- This product is a concealed hinge for indoor use to be recessed in the cut out on door and door frame.
- 3 way adjustment function allows vertical, horizontal, and depth adjustment.

DOOR SPECIFICATION

Min. Door thickness	36 mm
Max. Door weight	80 kg per 2 hinges, 100 kg per 3 hinges
Max. Door size	Width:900 mm, Height: 2400 mm

The required quantity of hinges depends on the stiffness and curvature of the door, so check the door and installation to determine the appropriate number of hinges.

COMPONENT PARTS(PER BOX)

- Concealed hinge 2 pcs
- Screw cover 4 pcs × 2 bags
- Countersunk head tapping screw 5 × 40 (Stainless steel) 8 pcs × 2 bags
- Hex Key 4 mm 1 pc
- 2.5 mm 1 pc
- 3 mm 1 pc

FOR YOUR SAFETY AND CORRECT INSTALLATION

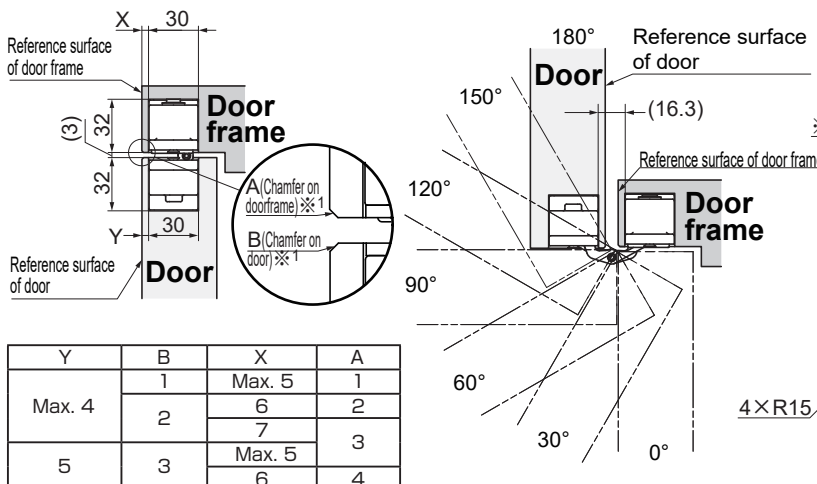
Meaning of symbols



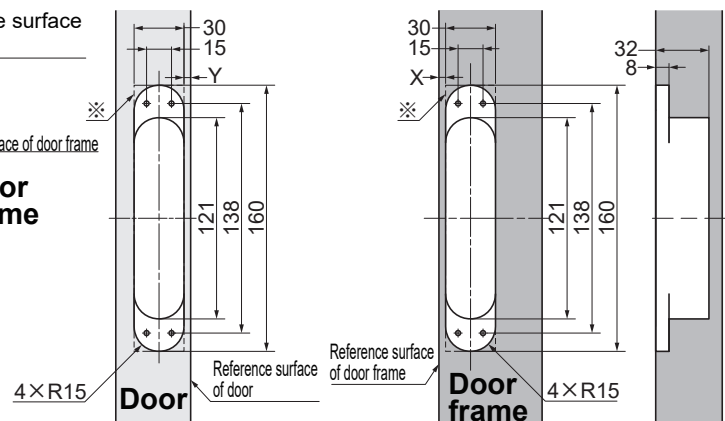
⚠ Caution If not followed, injury or damage may result.

- ❗ Provide a frame that can withstand the weight and impact of opening and closing the door. Be sure to use the specified screws and tighten them securely. If the mounting strength is insufficient, the door may fall and cause injury.
- ⊘ Do not use this product for any other purpose, or with doors that are outside the specifications of this manual.
- ❗ Use in conjunction with a door closer is not recommended. For soft-close option, we recommend Sugatsune LDD-V or LDD-S door damper.
- ❗ Follow the specified dimensions, specifications, and alignment of the door and frame. Warping, tilting or twisting of the frame or door may cause failure.
- ❗ This product is a part for architectural fittings. After installation, please check the function and safety of the final product. Please inform the end user how to use the product safely.
- ❗ Make sure to check the screws for slack at regular intervals (one month from first usage, half a year, and then one time every year is recommended).
- ❗ If you hear noise during use, apply lubricant (Lithium spray grease) if necessary.

INSTALLATION DRAWING(EXAMPLE)



CUT OUT DRAWING FOR DOOR AND FRAME

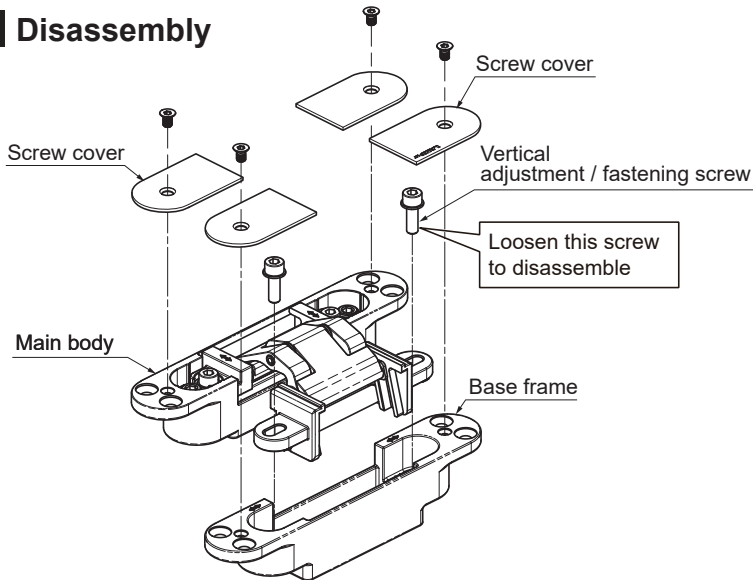


※ When using the optional square screw cover, drill the first oval hole (surface hole) in both the door and the frame as a square hole of width 30 × length 160 × depth 8.

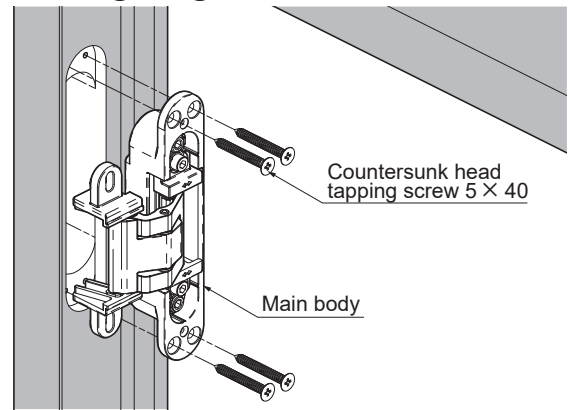
※1 Chamfer is needed depending on the amount of X and Y.

INSTALLATION PROCEDURE

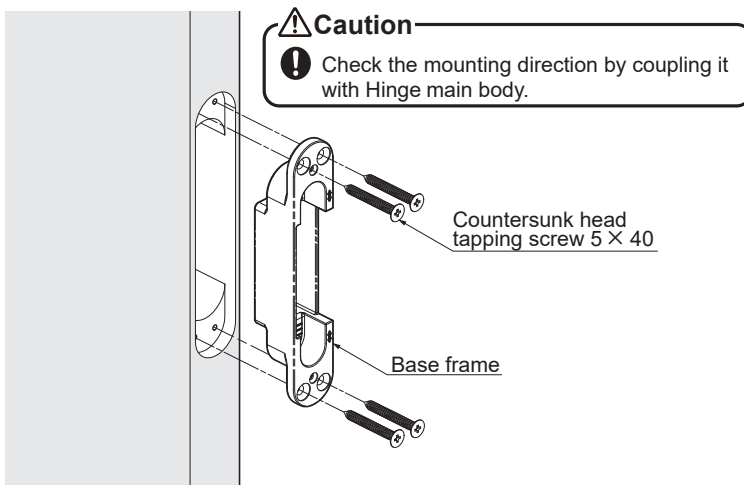
1 Disassembly



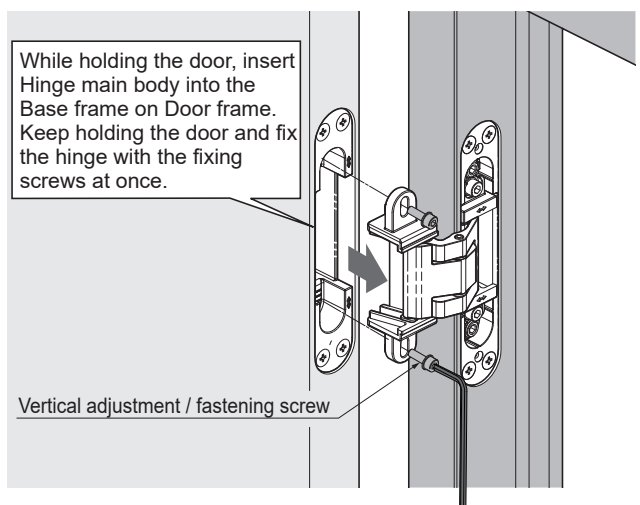
2 Installing Hinge to Door frame



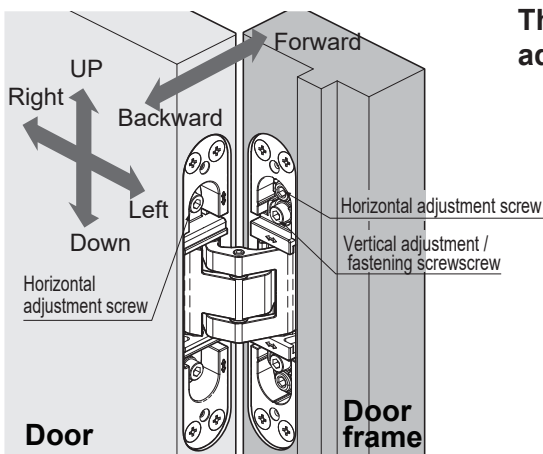
3 Installing Base Frame to Door



4 Hanging Door



ADJUSTING DOOR POSITION



The arrows should point the direction of adjustment when the door is closed.

Horizontal adjustment

Turn the two screws to move the door to the left or right. (Turn the screws clockwise to expand the gap.)

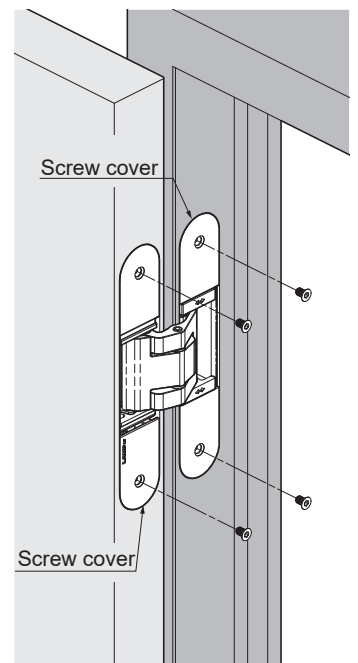
⚠ Turn the two screws a little, by the same amount. The hinge may be broken if you keep turning one screw only.

⚠ Horizontal adjustment range is ± 1.5 mm. When turning the screw to the right, if you move the part more than 2 mm, the cover cannot be put on, since the part protrudes. if you still turn the screw, the door will fall.

Vertical depth adjustment

Loosen the screws 180° - 360°, then hold the door at the suitable position and re-tighten the screws. Use wedges to support the door. (Tightening torque is 4 - 5.5 N·m.)

⊘ Do not remove depth adjustment screw. The door may fall.



SUGATSUNE KOGYO CO., LTD.
Tokyo, JAPAN
Phone: +81 3 3866 2260
E-mail: export@sugatsune.co.jp

SUGATSUNE KOGYO (UK) LIMITED
Reading, UK
Phone: +44 1189 272 955
E-mail: sales@sugatsune.co.uk

SUGATSUNE EUROPE GmbH
Düsseldorf, GERMANY
Phone: +49 211 53812 900
E-mail: sales@sugatsune.eu

SUGATSUNE AMERICA, INC.
California, USA
Phone: +1 310 329 6373
E-mail: sales@sugatsune.com

Chicago, USA
Phone: +1 630 317 7072
E-mail: sales@sugatsune.com

SUGATSUNE CANADA, INC.
Montreal, CANADA
Phone: +1 514 312 5267
E-mail: support@sugatsune.ca

SUGATSUNE SHANGHAI CO., LTD.
Shanghai, CHINA
Phone: +86 21 3632 1858
E-mail: lamp@sugatsune.com.cn

Guangzhou, CHINA
Phone: +86 20 6639 3554
E-mail: lamp@sugatsune.com.cn

SUGATSUNE KOREA CO., LTD.
Incheon, KOREA
Phone: +82 32 220 0603
E-mail: sales@sugatsune-korea.co.kr

SUGATSUNE KOGYO INDIA PRIVATE LIMITED
Mumbai, INDIA
Phone: +91 9867299597
E-mail: sales@sugatsune.in

Delhi, INDIA
Phone: +91 9867299597
+91 11 45093636
E-mail: sales@sugatsune.in