

# INSTALLATION MANUAL

## HES1F-B SLIM FRAME AND HINGE SET

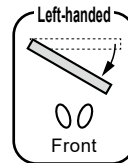
Thank you for selecting our product. Before starting installation, please read this manual thoroughly to ensure correct installation. Please keep this manual at hand for future reference.

### ABOUT THE PRODUCT

- This slim aluminium frame for indoor use has Slim Frame Hinge HES1F-140 and a strike plate built in.
- A set of two types of vertical frames are included.
- When using the separately sold base spacer, installation is possible without interference between the strike plate and plasterboard.
- Use plasterboard 12.5 mm thick.

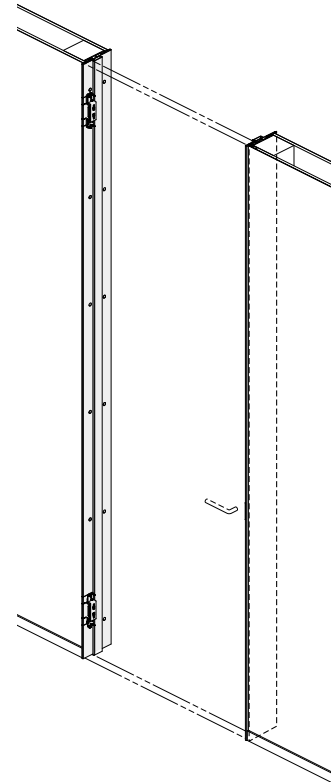
### READING THIS MANUAL

- The manual shows left-handed opening. Right-handed opening is symmetrical.



### SPECIFICATIONS

Frame Height	Door Thickness	Door Width	Hinges in Set	Load capacity
2500 mm	36 to 45 mm	Up to 900 mm	2 pcs	40 kgf
2700 mm			3 pcs	50 kgf



### CONTENTS

COMPONENT PARTS ..... P.2    INSTALLATION PROCEDURE..... P.6  
 INSTALLATION DRAWINGS ..... P.3    ADJUSTMENT METHOD.....P.12  
 CHECKING BEFORE INSTALLATION ... P.5

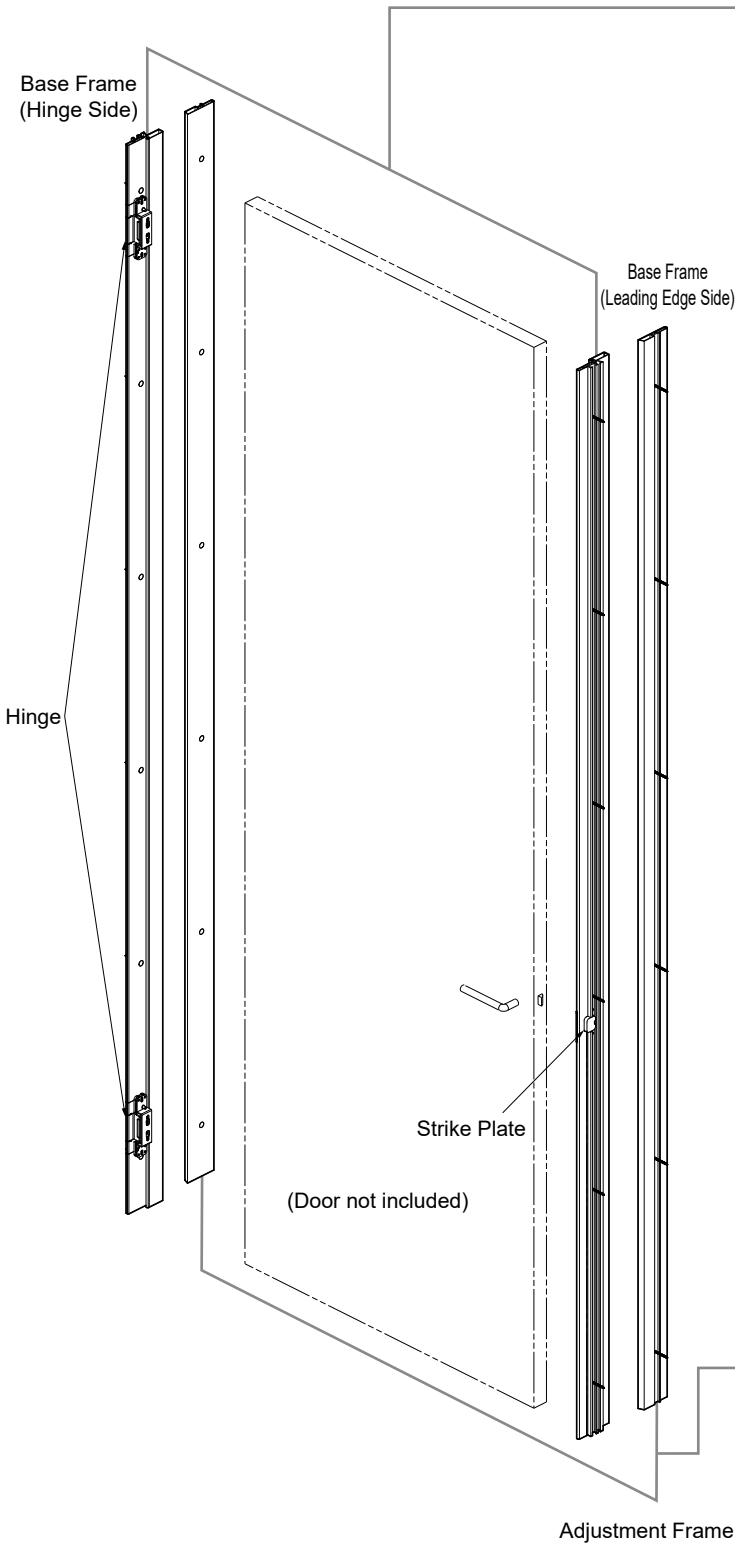
### FOR YOUR SAFETY AND CORRECT INSTALLATION

- Warnings and Cautions   
 Prohibited   
 Required

#### **Caution** If not followed, injury or damage may result.







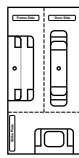
- Be sure to use the specified screws and tighten them securely. If the mounting strength is insufficient, the door may fall and cause injury.
- Follow the specified dimensions, specifications, and alignment of the door and frame. Warping, tilting or twisting of the frame or door may cause failure.
- Adjust the aluminium frame height (cut the frame) according to the directions on P.5. Avoid using any other adjustment method.
- This product is a part for architectural fittings. After installation, check the function and safety of the final product and inform the end user how to use the product safely.
- Make sure to check the screws for slack at regular intervals. (one month and six months from first usage and then once every year is recommended).
- Work with at least one partner. Falling doors may lead to injury.
- When mounting to light gauge steel framing or other non-wooden materials, be sure to mount posts between the frame and mounting material.
- When using an electric screwdriver during installation, be sure to use manual tightening for final tightening.
- Do not use this product for any other purpose, or with doors that are outside the specifications of this manual.
- Do not lean the product against anything. As well, do not store it in high-temperature, high-humidity conditions. Warping or appearance issues may result.
- Avoid the use of solvents such as alcohol or thinner.
- When adjusting the door, never use an electric screwdriver.
- Use a spacer the same width as the body.
- Check each part upon delivery. Should the product have any defects, be sure to contact the store of purchase before mounting. Replacement is not available for colour issues, defects, or scratches acquired after installation.

# COMPONENT PARTS



## Base Frame Set



For **Installation type A** **Installation type B**

Parts			Quantity	
			2500 mm	2700 mm
Base Frame	Hinge Side	Included Hinges Frame Height 2500 mm: 2 pcs Frame Height 2700 mm: 3 pcs	1 pc	
	Leading Edge Side	1 Strike Plate Included	1 pc	
Cover (Door Side/Frame Side)		 	2 set	3 set
Screws	Cross-recessed truss head tapping screw 4 x 40 		12 pcs	
	Cross-recessed pan head tapping screw 4 x 16 		8 pcs	12 pcs
Screw Cap for Frame			12 pcs	
Hex Key 3 mm			1 pc	
Template			1 pc	

\*Case lock and handle are sold separately.

## Adjustment Frame Set

For **Installation type A**

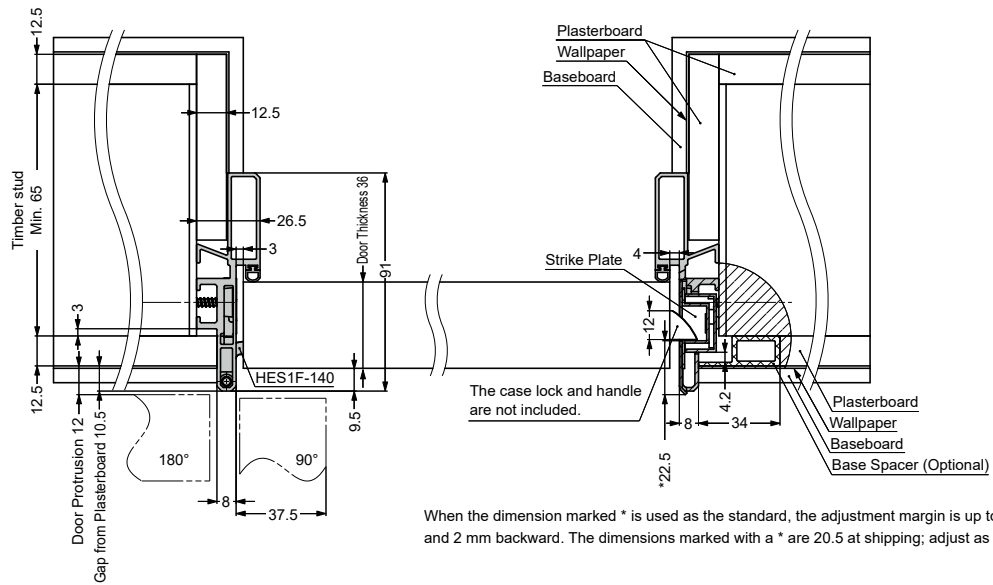
Parts		Quantity
Adjustment Frame		2 pcs
Screws	Cross-recessed truss head tapping screw 4 x 40 	12 pcs
Screw Cap for Frame		 12 pcs



# INSTALLATION DRAWINGS

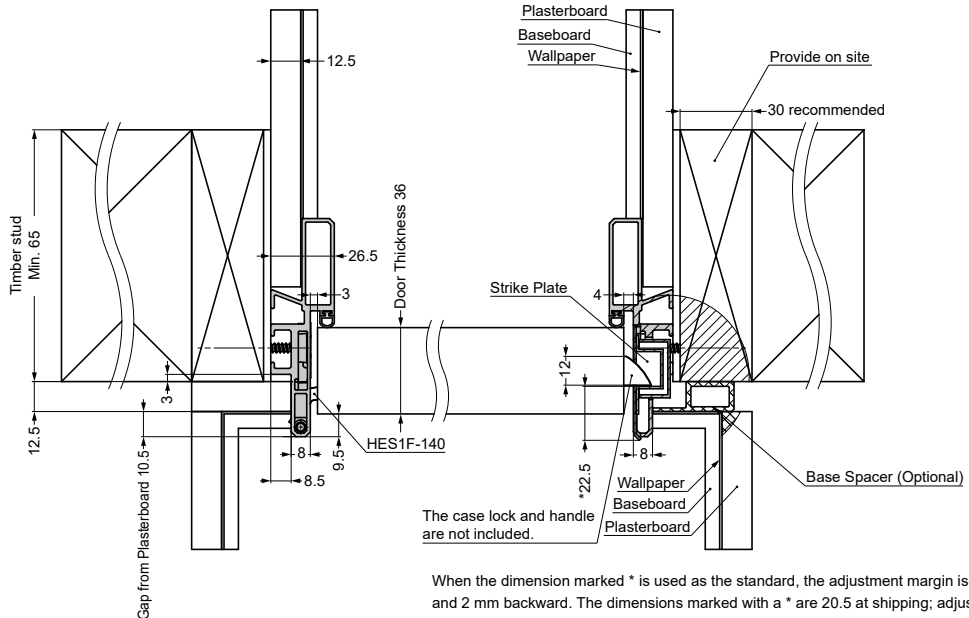
## Installation type B: Base frame only

Pattern B-1



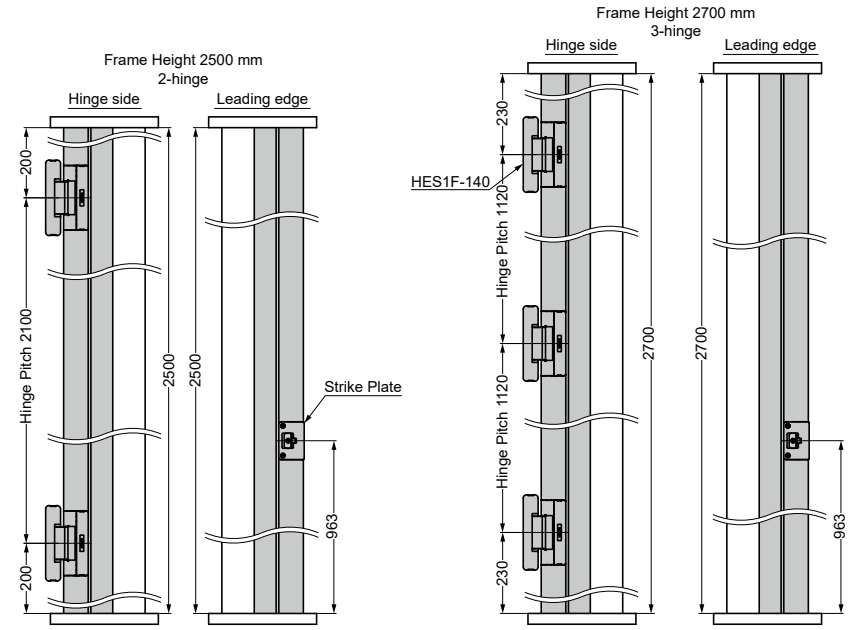
When the dimension marked \* is used as the standard, the adjustment margin is up to 3 mm forward and 2 mm backward. The dimensions marked with a \* are 20.5 at shipping; adjust as necessary.

Pattern B-2



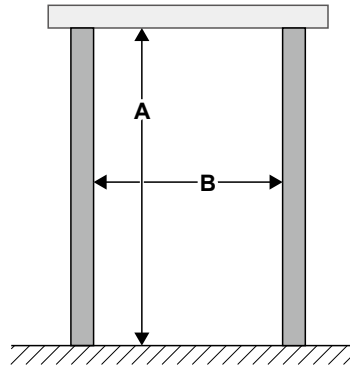
When the dimension marked \* is used as the standard, the adjustment margin is up to 3 mm forward and 2 mm backward. The dimensions marked with a \* are 20.5 at shipping; adjust as necessary.

Side View



# CHECKING BEFORE INSTALLATION

## ■ Checking Opening



Using a spirit level, make sure the door is level when installed.

Opening Dimensions

<b>A</b>	Total frame length + Gap between frame and ceiling
<b>B</b>	Door width + 40 mm + Spacer thickness

## ■ Frame Height Adjustment (Cutting)

Adjust the frame height to fit the opening.

Frame Type	Base Frame		Adjustment Frame	
	Hinge Side	Leading Edge Side	Hinge Side	Leading Edge Side
Cut Amount	<ul style="list-style-type: none"> <li>● Cut amount at both ends Frame height 2500 mm: <b>Within 50 mm each</b> Frame height 2700 mm: <b>Within 100 mm each</b></li> </ul>	<ul style="list-style-type: none"> <li>● Cut amount at top end Frame height 2500 mm: <b>Within 100 mm</b> Frame height 2700 mm: <b>Within 130 mm</b></li> <li>● Not recommended to cut the frame bottom end.*1</li> </ul>	<p>Cut the same amount and in the same direction on the base frame <b><u>hinge side</u></b></p>	<p>Cut the same amount and in the same direction on the base frame <b><u>leading edge side</u></b></p>
Caution	<p>⚠ Cut <b><u>both ends of the frame equally.</u></b></p>	<p>⚠ Cut <b><u>only the top end</u></b> of the frame.</p> <p>*1 ⚠ Cutting the frame bottom end will change the height position of the strike plate. Please note that the height position of the case lock on the door also need to be changed.</p>	<p>⚠ Cut at the same length as the base frame, so that the 6 screw hole positions align.</p>	

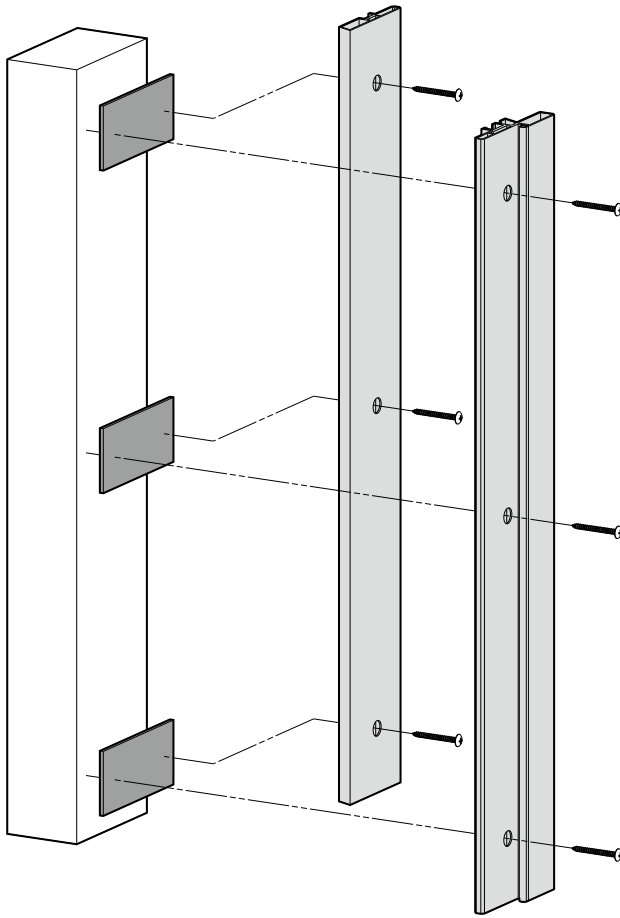
\*Adjustment on site is required in some cases.

# INSTALLATION PROCEDURE

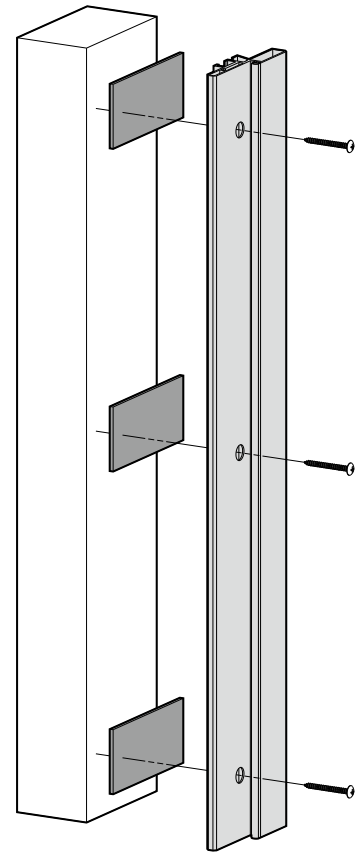
## 1 -1 Frame mounting

### 1 Mounting image

Installation type A



Installation type B

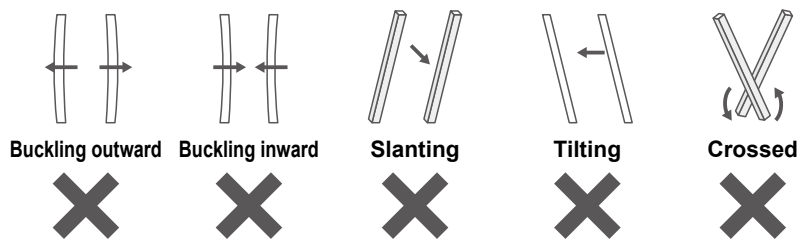


For the spacer (not provided),  
use a dry piece of plywood of the same width as the post.

Put a spacer into each screw fastening point, to align with the opening dimensions,  
and measure the frame vertically and horizontally.

### ⚠ Caution

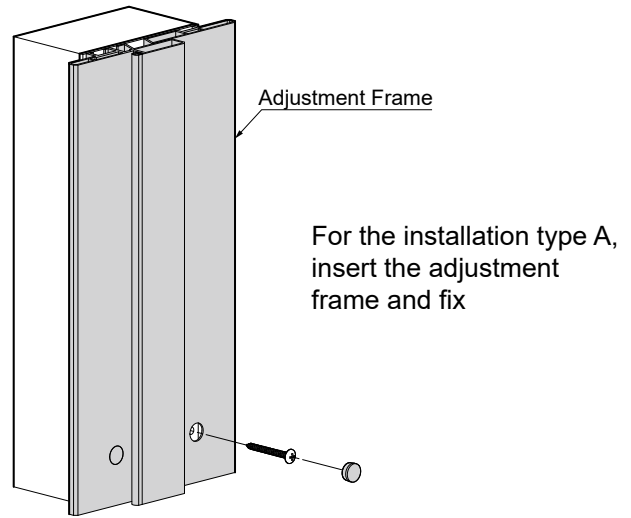
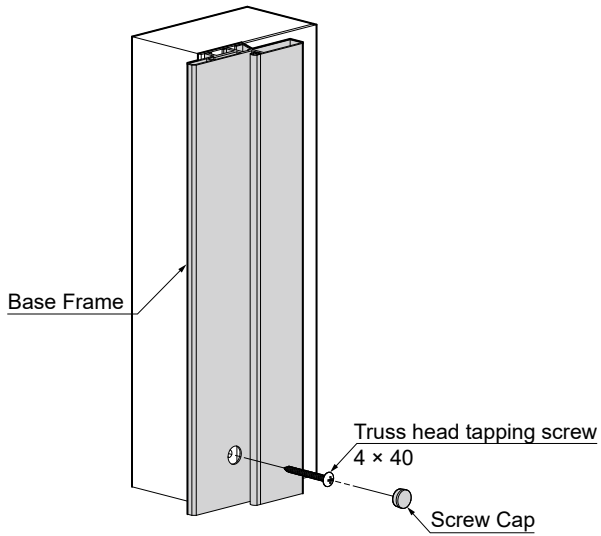
❗ Make sure the frame does not warp as below.  
If the frame warps, correct door mounting will not be possible.



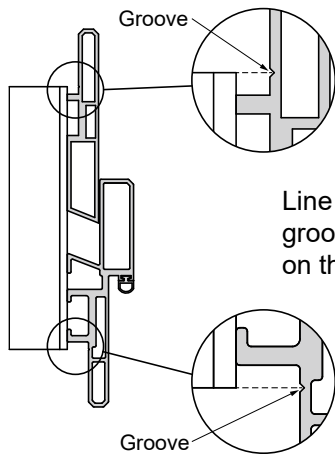
# INSTALLATION PROCEDURE

## 1 -2 Frame mounting

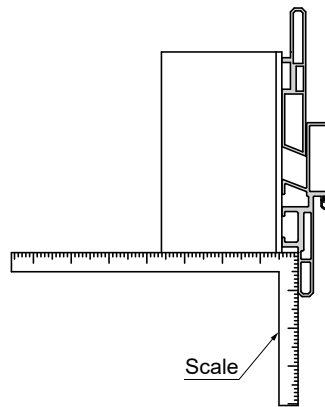
2 Fix base frame/adjustment frame on post



### Positioning Points

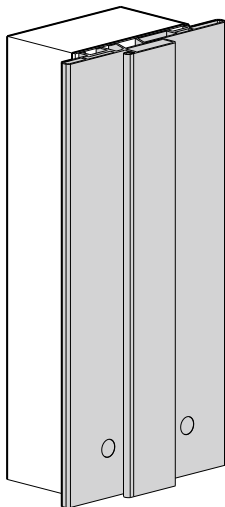


Line up the frame back  
groove and the post edge  
on the same line

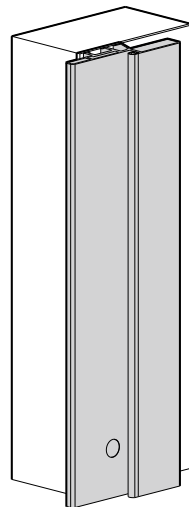


Positioning is simple  
when aligning the scale  
with the frame back  
groove

3 Mounting complete image



Installation type A



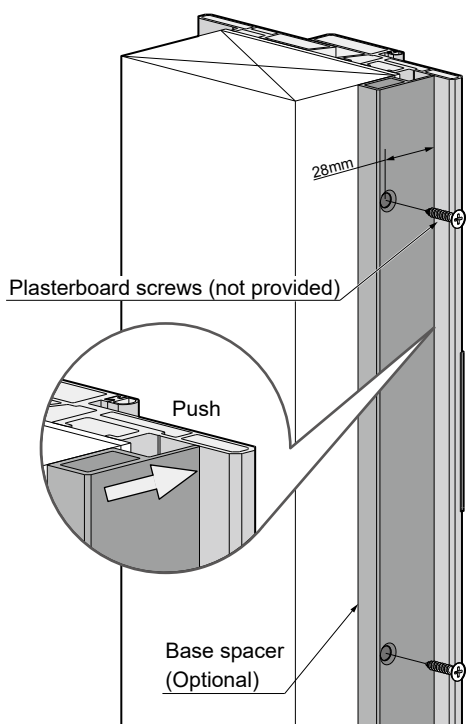
Installation type B

# INSTALLATION PROCEDURE

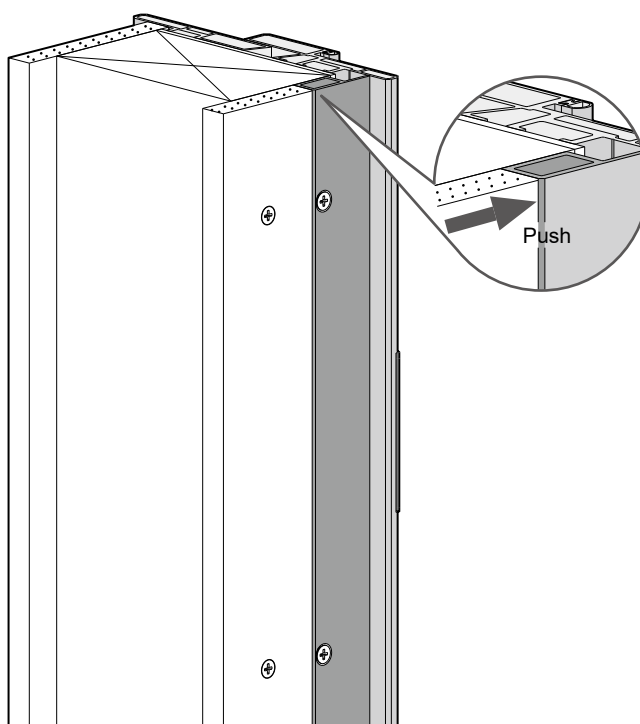
## 2 Installation of the base spacer

### Leading Edge (Installation type A/B)

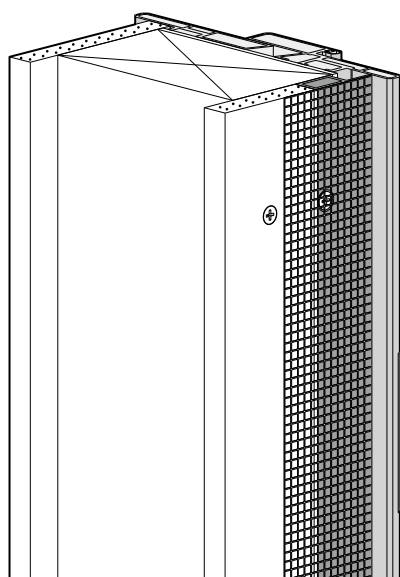
1 Push the base spacer (optional) against the frame and fix



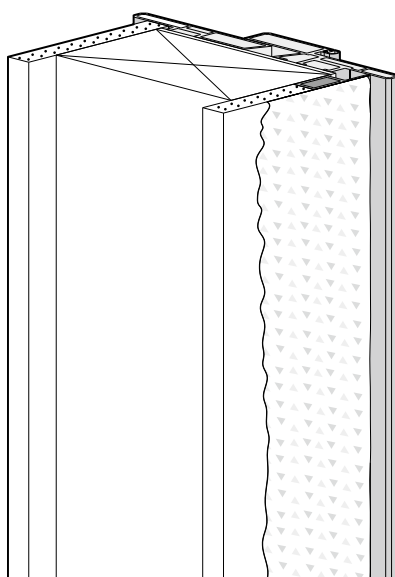
2 Push the plasterboard against the base spacer and fix



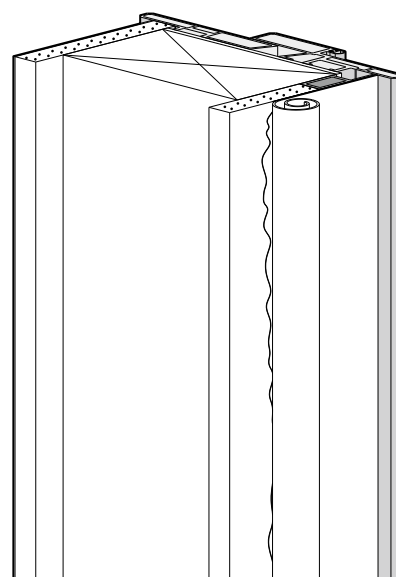
3 Adhere the mesh tape



4 Apply putty on the entire boundary area



5 Adhere wallpaper

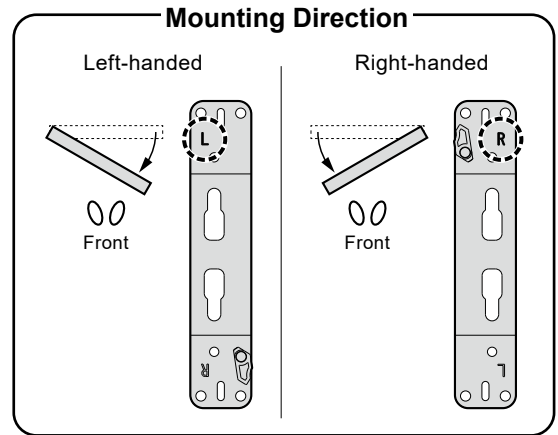
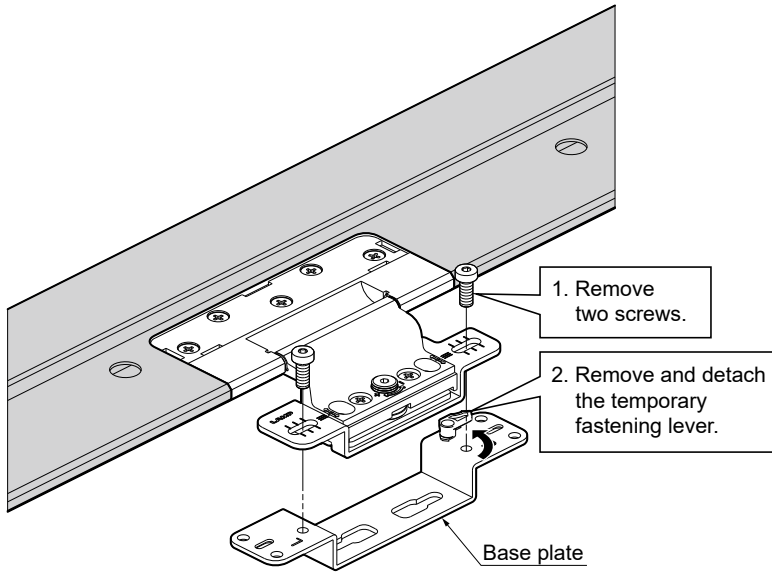




# INSTALLATION PROCEDURE

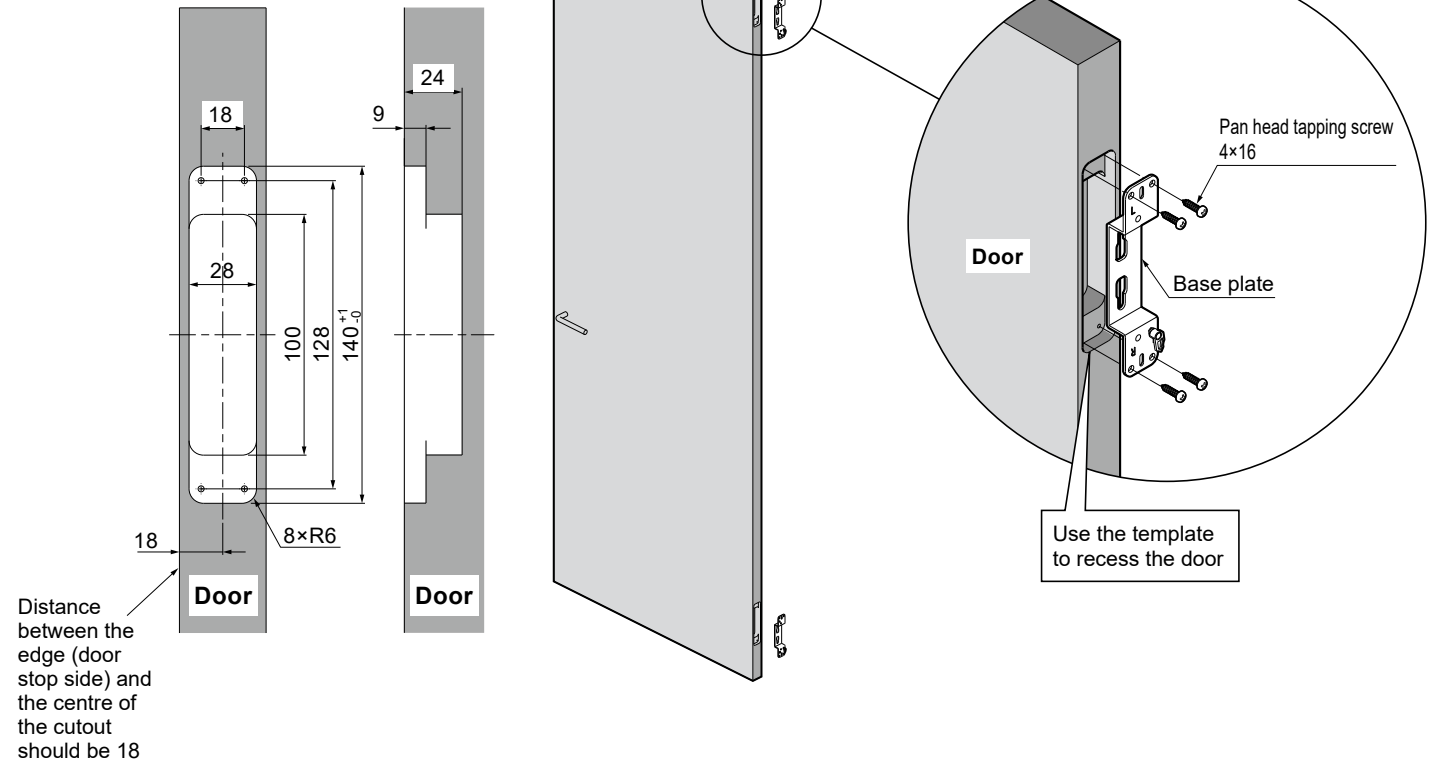
## 3 Preparation of hinges/door

1 Remove the base plate from the hinge



2 Mount the base plate on the door

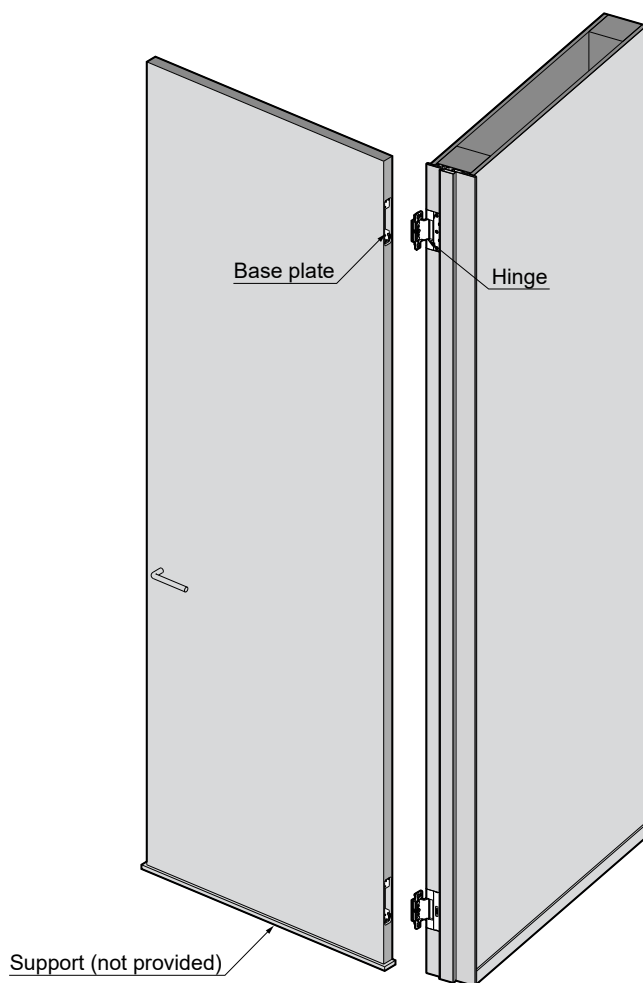
Cut out drawing for door



# INSTALLATION PROCEDURE

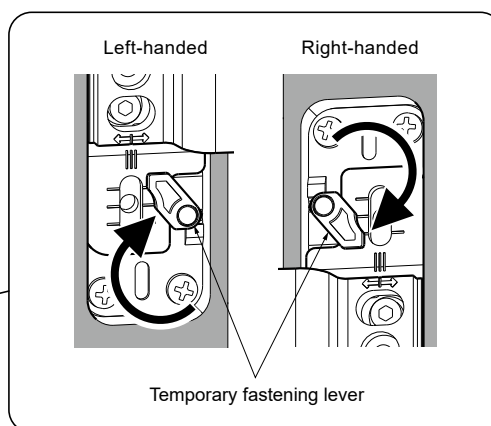
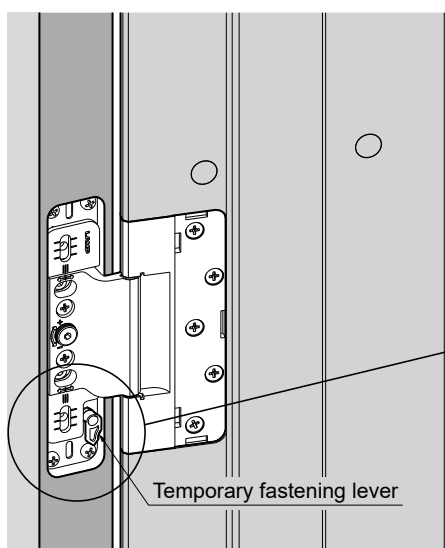
## 4 -1 Door installation

- 1 Place the support (not provided) under the door and adjust the hinge and base plate height



**Caution**  
! Work with at least one partner.  
Falling doors may lead to injury.

- 2 Move the door, insert the hinge into the base plate, and temporarily fasten with the temporary fastening lever

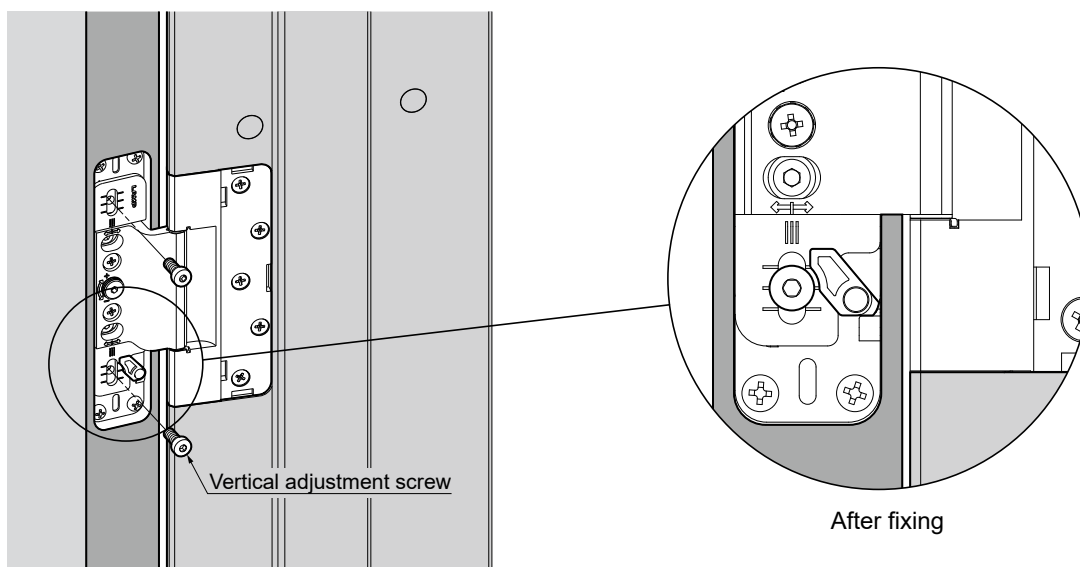


\*Temporarily fasten all hinges.  
Do not open/close the door, as it has not been fixed yet.

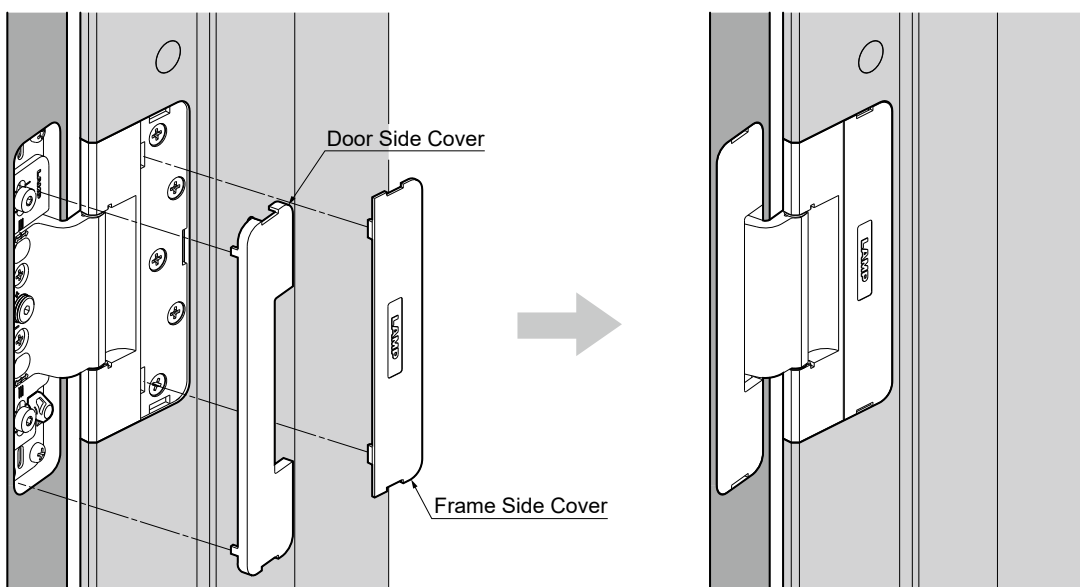
# INSTALLATION PROCEDURE

## 4 -2 Door installation

3 Fasten the vertical adjustment screw and fix the door



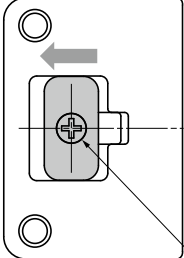
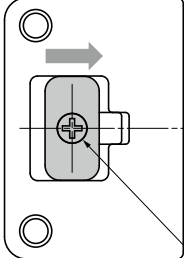
4 Adjust the hinge position (see next page) and mount the cover



# ADJUSTMENT METHOD

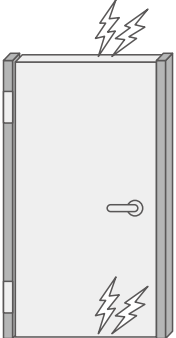
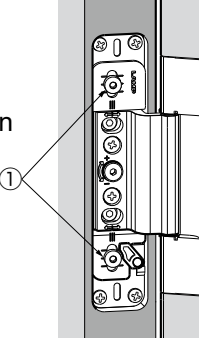
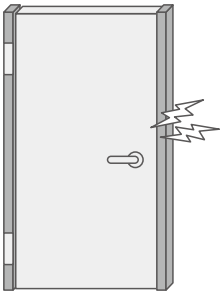
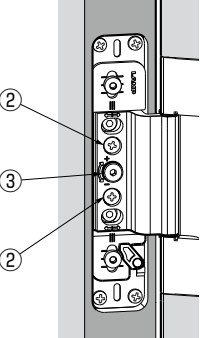

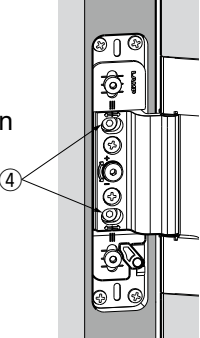
**Caution**  
 ⚠ Never use an electric screwdriver for screw fastening.

## ■ Strike Plate

Latch wobbles	Not latched
 <p>Push in</p> <p>Rotate screw</p>	 <p>Pull forward</p> <p>Rotate screw</p>

\*Because the screws rotate infinitely, if continuously rotated the movable part will return.

## ■ Hinge

	Issue	Countermeasure
Vertical adjustment	 <p>Door scrapes the floor or the ceiling</p>	<ol style="list-style-type: none"> <li>1. Loosen vertical adjustment screw ① about half a turn</li> <li>2. Adjust the door to the optimal position</li> <li>3. Tighten the loosened screw *3.5 N·m recommended</li> </ol> <p>[Adjustment Range] - 4 to +4 mm</p> 
Horizontal Adjustment	 <p>Door leading edge and frame make contact</p>	<ol style="list-style-type: none"> <li>1. Loosen horizontal adjustment fixing screw ②</li> <li>2. Rotate horizontal adjustment screw ③ to adjust</li> <li>3. Tighten screw ② *1.5N·m recommended</li> </ol> <p>[Adjustment Range] - 2 to +2 mm</p> 
Depth Adjustment	 <p>Door is in too close contact with door stopper</p>	<ol style="list-style-type: none"> <li>1. Loosen depth adjustment screw ④ about half a turn</li> <li>2. Adjust the door to the optimal position</li> <li>3. Tighten the loosened screw *3.5 N·m recommended</li> </ol> <p>[Adjustment Range] - 1 to +1 mm</p> 

**SUGATSUNE KOGYO CO., LTD.**  
 Tokyo, JAPAN  
 Phone: +81 (0)3 3866 2260 E-mail: export@sugatsune.co.jp  
**SUGATSUNE KOGYO (UK) LTD.**  
 Reading, UK  
 Phone: +44 118 9272 955 E-mail: sales@sugatsune.co.uk

**SUGATSUNE EUROPE GmbH**  
 Düsseldorf, GERMANY  
 Phone: +49 211 53812900 E-mail: sales@sugatsune.eu

**SUGATSUNE SHANGHAI Co., LTD.**  
 Shanghai, CHINA  
 Phone: +86 21 3632 1858 E-mail: lamp@sugatsune.com.cn  
**Guangzhou, CHINA**  
 Phone: +86 20 6639 3552 E-mail: lamp@sugatsune.com.cn  
**SUGATSUNE KOREA CO., LTD.**  
 Mumbai, INDIA  
 Phone: +82 32 220 0603 E-mail: sales@sugatsune-korea.co.kr  
**SUGATSUNE KOGYO INDIA PRIVATE LIMITED**  
 Mumbai, INDIA  
 Phone: +91 22 28314490/91 E-mail: sales@sugatsune.in

**SUGATSUNE AMERICA, INC.**  
 California, USA  
 Phone: +1 310 329 6373 E-mail: sales@sugatsune.com  
**Chicago, USA**  
 Phone: +1 630 317 7072 E-mail: sales@sugatsune.com

**SUGATSUNE CANADA, INC.**  
 Phone: +1 514 312 5267 E-mail: support@sugatsune.ca