

Installation Manual

SWING LIFT UP SLUL

Thank you for using our product. Before installation, please read this manual thoroughly to ensure correct installation. Please keep this manual at hand for future reference.

ABOUT THE PRODUCT

- Stay with lift assist function and soft close function.
- The door can be adjusted up and down, left and right, and its angle can be adjusted.



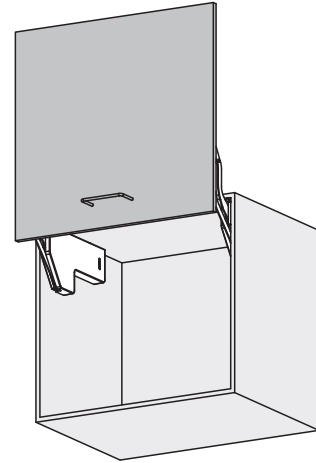
Product Info

SPECIFICATION

Door Weight	5-11kg* ¹
Door Height	550-900 mm
Door Width	Max. 900 mm
Door Stroke	613 mm
Operating Temperature	0-40°C* ²

*¹ Door weight includes the handle.

*² Cannot be used for heating equipment such as ovens.



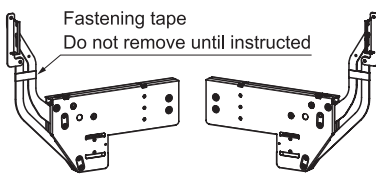
FOR YOUR SAFETY AND CORRECT INSTALLATION

- Caution
 Prohibited
 Required

Caution If not followed, injury or damage may result.

- Always use this product with both the left and right stay sets.
- Always mount the handle so that it is horizontally centered and hold the handle when opening and closing the door.
- Install on a cabinet that can withstand the weight and impact of opening and closing the door. Be sure to use the specified screws and tighten them securely. If the mounting strength is insufficient, the door may fall and cause injury.
- Follow the specified dimensions, specifications, and alignment of each part. Warping, tilting or twisting of the plate may cause malfunction and damage.
- This product is a hardware component for furniture. After installation, check the functionality and safety of the final product. Also, caution users to use the furniture safely.
- Make sure to check the screws for slack at regular intervals (one month from first usage, half a year, and then one time every year is recommended).
- To clean, wipe with a diluted and mild cleaner. Organic solvents such as alcohol and thinner can damage the product and should not be used.
- Do not attempt to open the door wider than its maximum opening position or operate the door with more force than necessary. It may cause malfunction and damage.
- Do not use this product for any other purpose, or with doors that are outside the specifications of this manual.
- Do not disassemble or modify any parts other than those described in this document.
- Be careful to avoid finger entrapment in the arm area.
- In the event of a problem with the damper function, only the damper part will be replaced.

COMPONENT PARTS

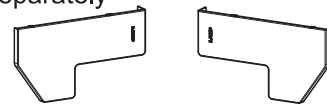


Item No.	Door Weight* ³
SLUL-8	5-8kg
SLUL-11	8-11kg

*³ Door weight includes the handle.

- ① Body set
Left: 1 pc., Right: 1 pc.
- ② Mounting plate: 2 pcs.
- ③ Countersunk head tapping screw 3.5X 45 (For body mounting): 12 pcs.
- ④ Bind head tapping screw 3.5 x 15 (for fastening mounting plate): 4 pcs.

■ Sold separately



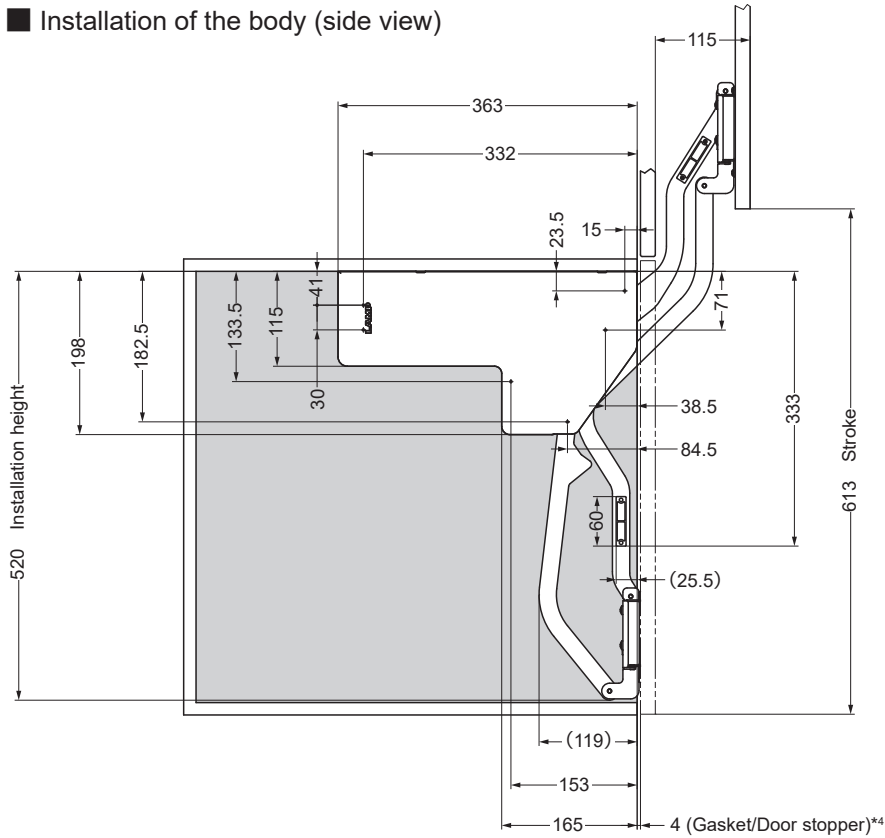
⑤ Body cover set
Left: 1 pc., Right: 1 pc.



- ⑥ Connecting bar: 1
SLUL-B535: For door width 600
SLUL-B685: For door width 750
SLUL-B835: For door width 900
- Countersunk head tapping screw 4.5 X 16 (included) (For fastening connecting bar): 4 pcs.

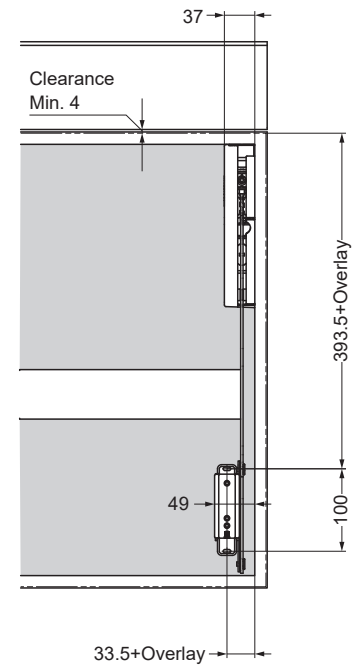
DIMENSION DRAWING

■ Installation of the body (side view)



*4 If not in use, shift the body to the 4 mm back plate side.

■ Installation of the mounting plate (front view)

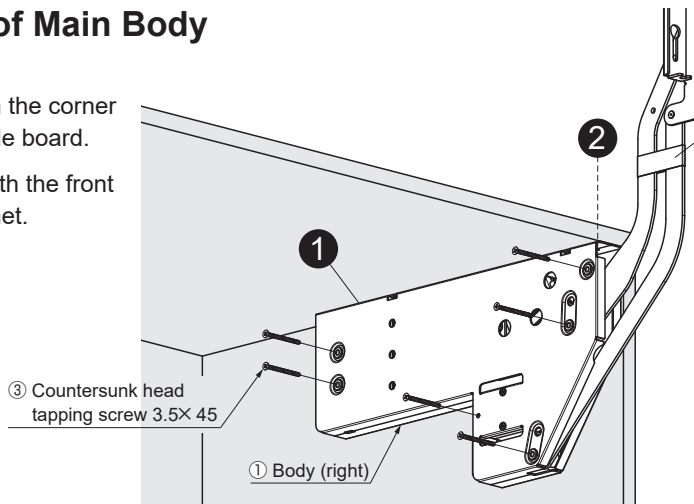


INSTALLATION PROCEDURE

* Instructions are for the right-side stay.

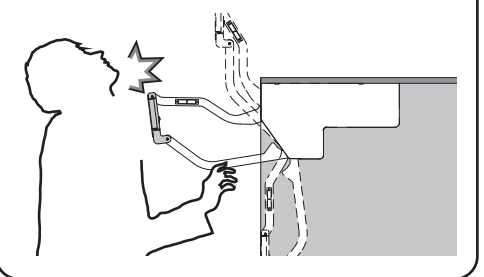
1 Mounting of Main Body

- ① Place the body in the corner of the top and side board.
- ② Align the body with the front edge of the cabinet.



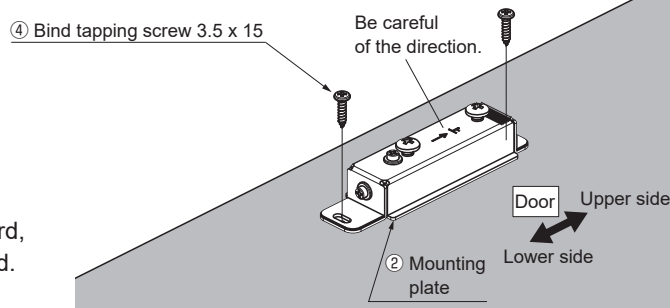
⚠ Warning

- ① Do not remove the fastening tape until the door is mounted. The door may rebound and cause injury.

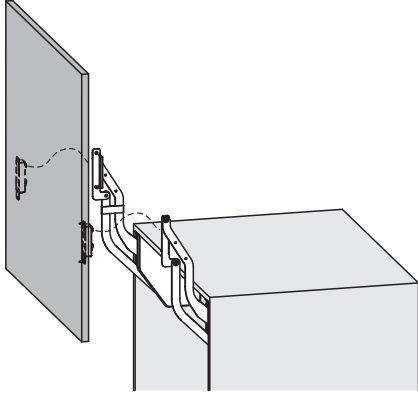


2 Mounting of Mounting Plate

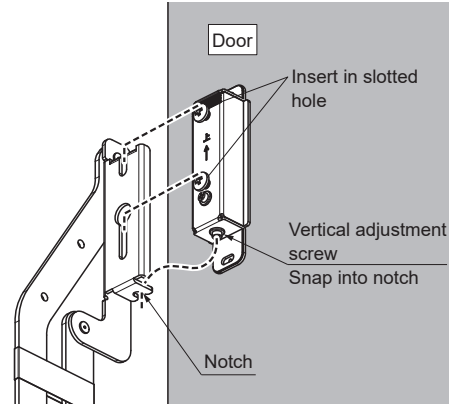
* If the board material is hard, make preholes beforehand.



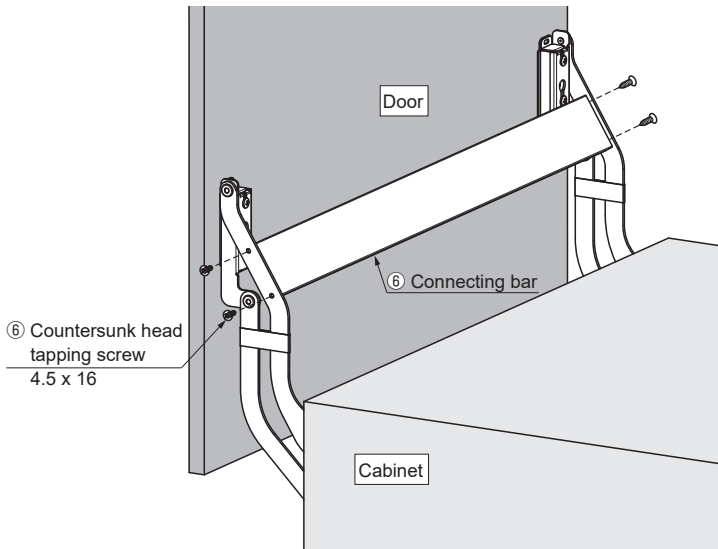
3 Installing the Door



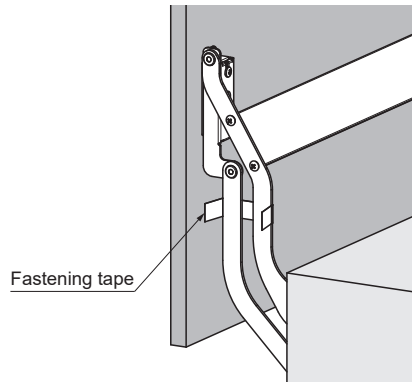
Make sure the screws are in the holes and notch.



4 Mounting the Connecting Bar

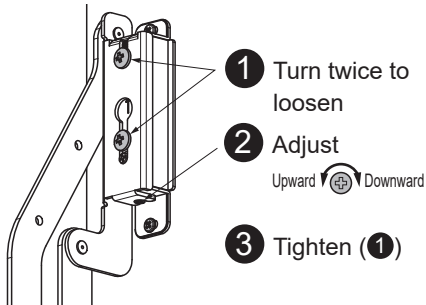
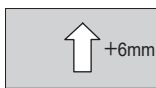


After installing the connecting bar, remove the fastening tape

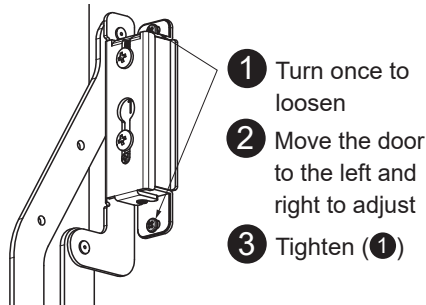
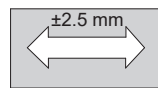


5 Adjusting the Door Position

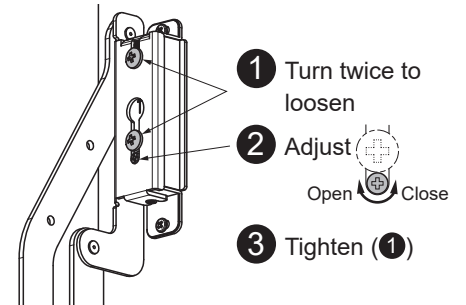
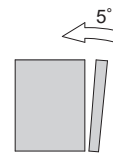
Vertical adjustment



Horizontal adjustment



Angle



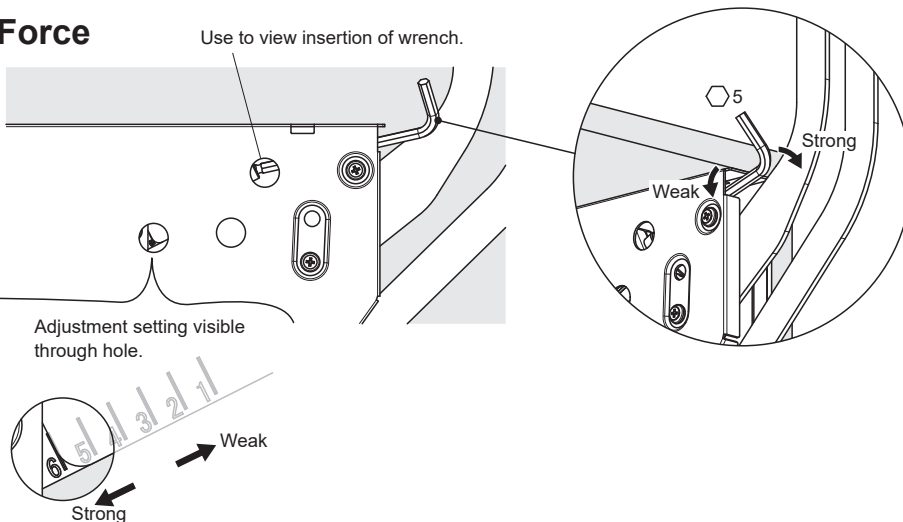
6 Adjusting the Lift-assist Force

Caution

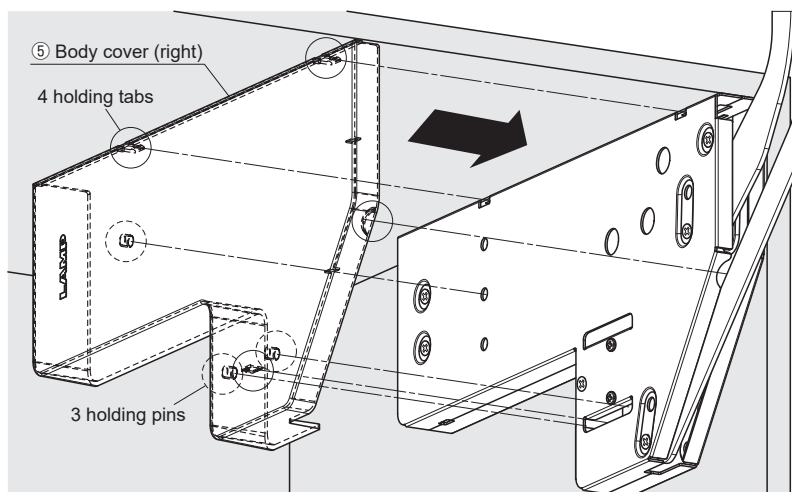
❗ The lift-assist force for both the left and right stays must be the same.

Standard

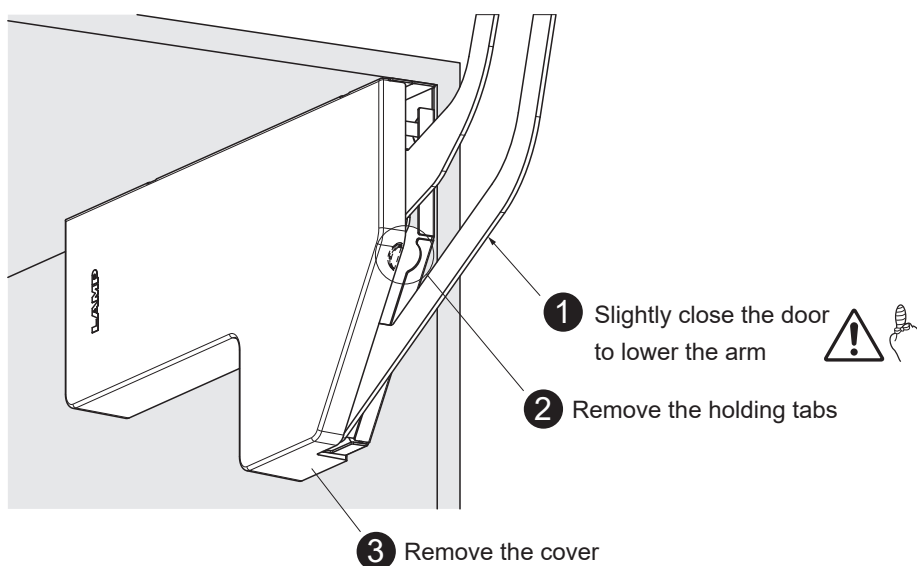
Scale	Door weight	
	SLUL-8	SLUL-11
6	8	11
5	7.5	10
4	7	9
3	6.5	8.5
2.5		8
2	6	
1	5	



7 Mounting the Body Cover



8 Removing the Body Cover



SUGATSUNE KOGYO CO., LTD.
Tokyo, JAPAN
Phone: +81 3 3866 2260
E-mail: export@sugatsune.co.jp

SUGATSUNE KOGYO (UK) LIMITED
Reading, UK
Phone: +44 1189 272 955
E-mail: sales@sugatsune.co.uk

SUGATSUNE EUROPE GmbH
Düsseldorf, GERMANY
Phone: +49 211 53812 900
E-mail: sales@sugatsune.eu

SUGATSUNE AMERICA, INC.
California, USA
Phone: +1 310 329 6373
E-mail: sales@sugatsune.com

Chicago, USA
Phone: +1 630 317 7072
E-mail: sales@sugatsune.com

SUGATSUNE CANADA, INC.
Montreal, CANADA
Phone: +1 514 312 5267
E-mail: support@sugatsune.ca

SUGATSUNE SHANGHAI CO., LTD.
Shanghai, CHINA
Phone: +86 21 3632 1858
E-mail: lamp@sugatsune.com.cn

Guangzhou, CHINA
Phone: +86 20 6639 3554
E-mail: lamp@sugatsune.com.cn

SUGATSUNE KOREA CO., LTD.
Incheon, KOREA
Phone: +82 32 220 0603
E-mail: sales@sugatsune-korea.co.kr

SUGATSUNE KOGYO INDIA PRIVATE LIMITED
Mumbai, INDIA
Phone: +91 9867299597
E-mail: sales@sugatsune.in
Delhi, INDIA
Phone: +91 9867299597
+91 11 45093636
E-mail: sales@sugatsune.in