

LAMP

Level Adjustable Shelving System: **Slotted Panel Bracket VT-DF-A 1820** **Installation Manual**
Top/Bottom Bracket VT-DF-E 1820

Before the installation, read this manual thoroughly for proper fitting.

- As this product is for indoor use, do not use it outdoors or in the place splashed with water.
- Ensure sufficient heat insulation when fixing it directly to columns, etc. so that the bracket will not suffer from heat bridge or due condensation.
- The use in high temperature/humidity environment is not allowed.
- Check that the installation of the bracket makes it level or plumb and that twisting does not occur.

⊘ This symbol represents the "Prohibited matters".
 ! This symbol represents the "Mandatory matters" to be performed without fail.

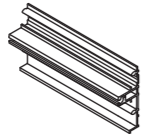
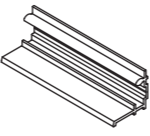


! Safety notice. <Be sure to observe the following instructions to prevent injury or accident.>

- Use nonslip gloves when carrying the parts. Be careful to secure enough ventilation when using adhesives.
- Before the delivery, the installation supervisor should check the installation result without fail and repair problems if any.

Checking before the installation

- Check that the wall on which the brackets for shelves are fixed is strong enough.
 ※ If not, be sure to provide reinforcing material. Otherwise the brackets may fall off.
- Check the quantity of the parts and if any flaws or dents exist.
 Our company will not be held responsible for the flaws or dents caused after the installation.
- Check the wall finish to which the Slotted Panel Bracket is fitted (check that it is plumb and even).
- Be sure to provide marking before installation.

Check the Package Contents

Slotted Panel Bracket VT-DF-A 1820				Top/Bottom Bracket VT-DF-E1820			
NO.	Name	Q'ty contained	Shape	NO.	Name	Q'ty contained	Shape
A	Slotted Panel Bracket VT-DF-A 1820 L=1820	1		A	Top/Bottom Bracket VT-DF-E1820 L=1820	1	
B	Panel Catch (Panel fixing parts) VT-DF-C20	8		B	Panel Catch (Panel fixing parts) VT-DF-C20	8	

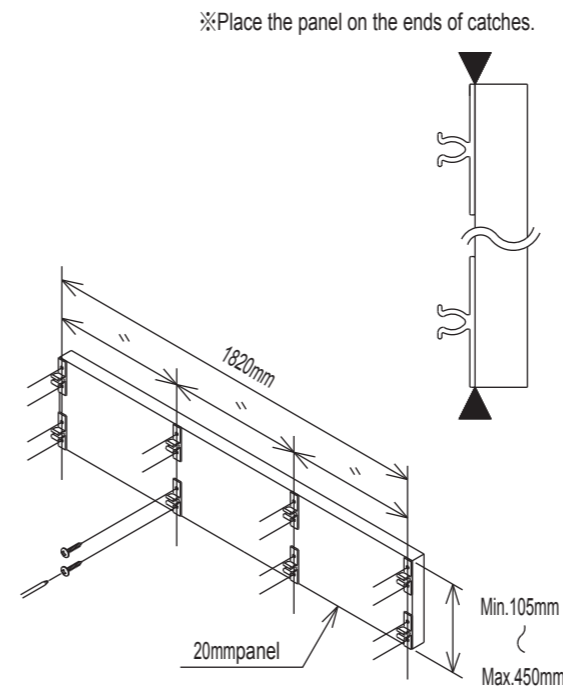
Tools and screws necessary for the installation.

※Necessary screws shall be prepared by customer.

- Electric drill, level, driver.
- Bracket fixing screws (Tapping screws of 4 x 50; five pieces. per bracket).
- Catch fixing screws (pan-head, truss or bind tapping screws of nominal approx. 4 x 20; 16 pieces per panel).

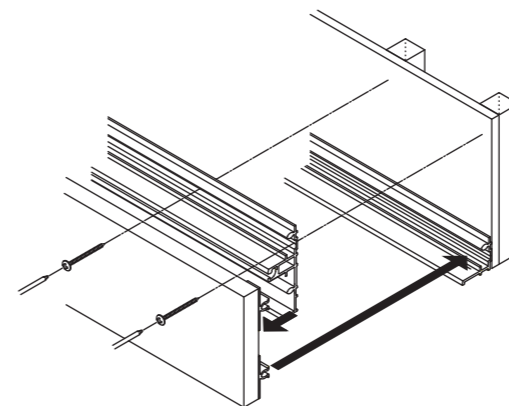
Installing the bracket

1. Fitting catches



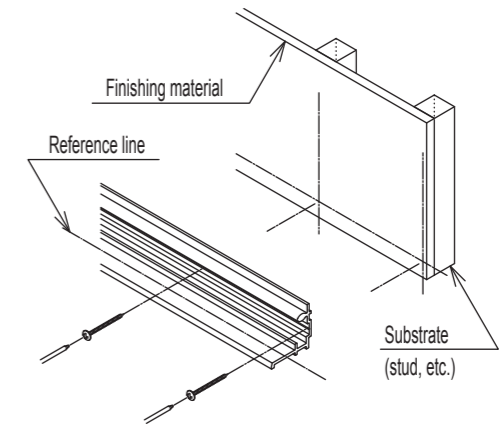
※Place the panel on the ends of catches.
 Fit the catches (VT-DF-C20) to the t20 panel prepared by the customer with fixing screws according to the illustration after checking the fitting position.
 Fit the catches to the necessary number of panels in the same manner as above.

3. Fitting the panel and the bracket



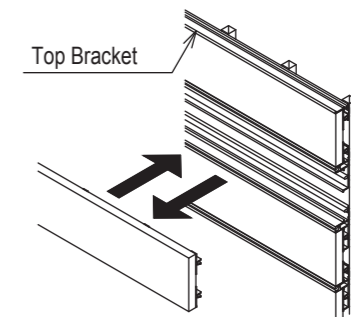
Fix VT-DF-A1820 to the upper catch of the panel as shown in the illustration.
 Fix the panel to the bottom brackets with the lower catch of the panel.
 Fix A1820 with pilot holes to the wall with bracket fixing screws.
 For VT-DS-A1820, five fixing points or so shall be required.

2. Marking of the position to fit the bracket



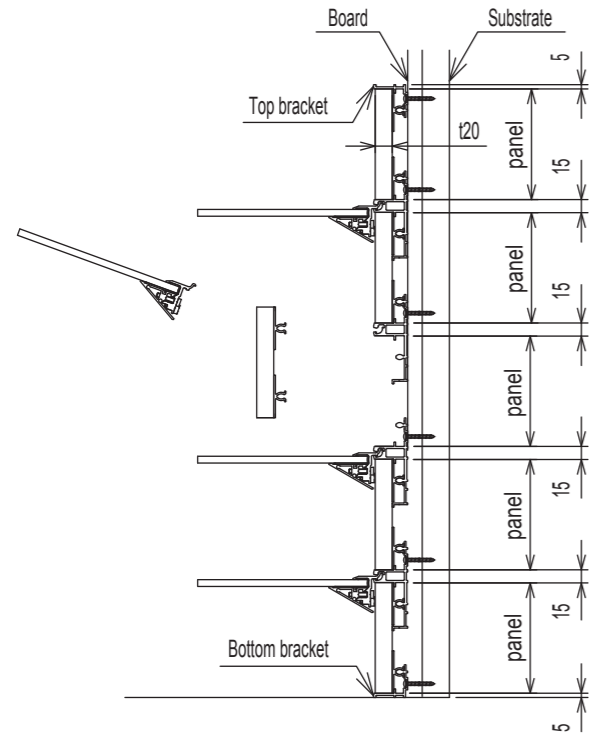
Mark with level, etc. the position to fit the shelf bracket, assuming the height of the horizontal line of the upper surface of the top/bottom bracket as the reference.
 Check that there is no unevenness on the wall surface on which the bracket is installed.
 Without finishing material on the substrates, they will look bad when the panel is removed.
 Therefore applying finishing material is recommended.
 After checking the position to fit the top/bottom bracket, drill pilot holes. Then fix the bracket with bracket fixing screws according to the illustration.
 For VT-DS-E1820, five fixing points or so shall be required.

4. Illustration of the panel and bracket installed



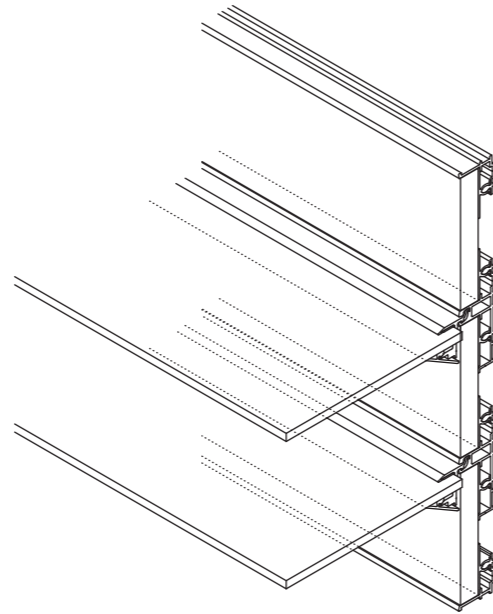
※Fit necessary number of panels and A1820s one after another in the same manner as above.
 Use top bracket for the top panel.
 Check that the brackets and panels are level and plumb and that there is neither unevenness nor gap.
 Check that panels can be fixed and removed.

Installation notice



To produce panel, refer to the above measurements.

Example of the installed status



For Overseas Customers
SUGATSUNE KOGYO CO, LTD.
 1-8-11 Higashikanda, Chiyoda-ku,
 Tokyo 101-8633, Japan
 Tel:81-3-3866-2260 FAX:+81-3-3866-4447
<http://www.sugatsune.co.jp>
 E-mail: export@sugatsune.co.jp
 ISO9001(JSAQ384) ISO14001(JSAE597) CERTIFICATE.

For North American Customers
SUGATSUNE AMERICA, INC.
 221 East Selandia Lane,
 Carson, CA 90746, U.S.A.
 TEL:+1-310-329-6373 FAX:+1-310-329-0819
 TOLL FREE: (800)562-5267 (from U.S.A. only)
<http://www.sugatsune.com>
 E-mail: sales@sugatsune.com

2008.9.2